





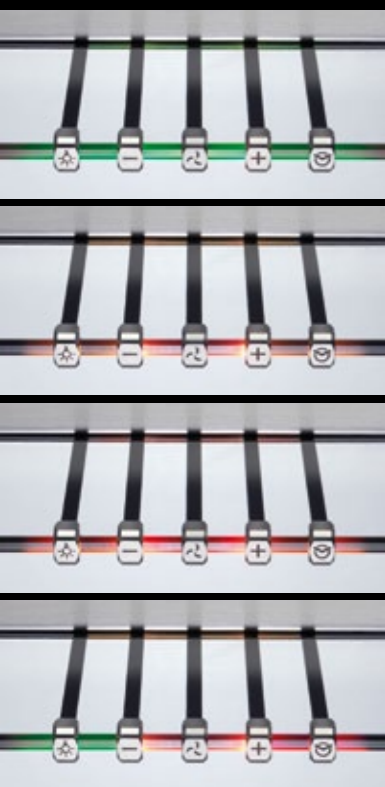
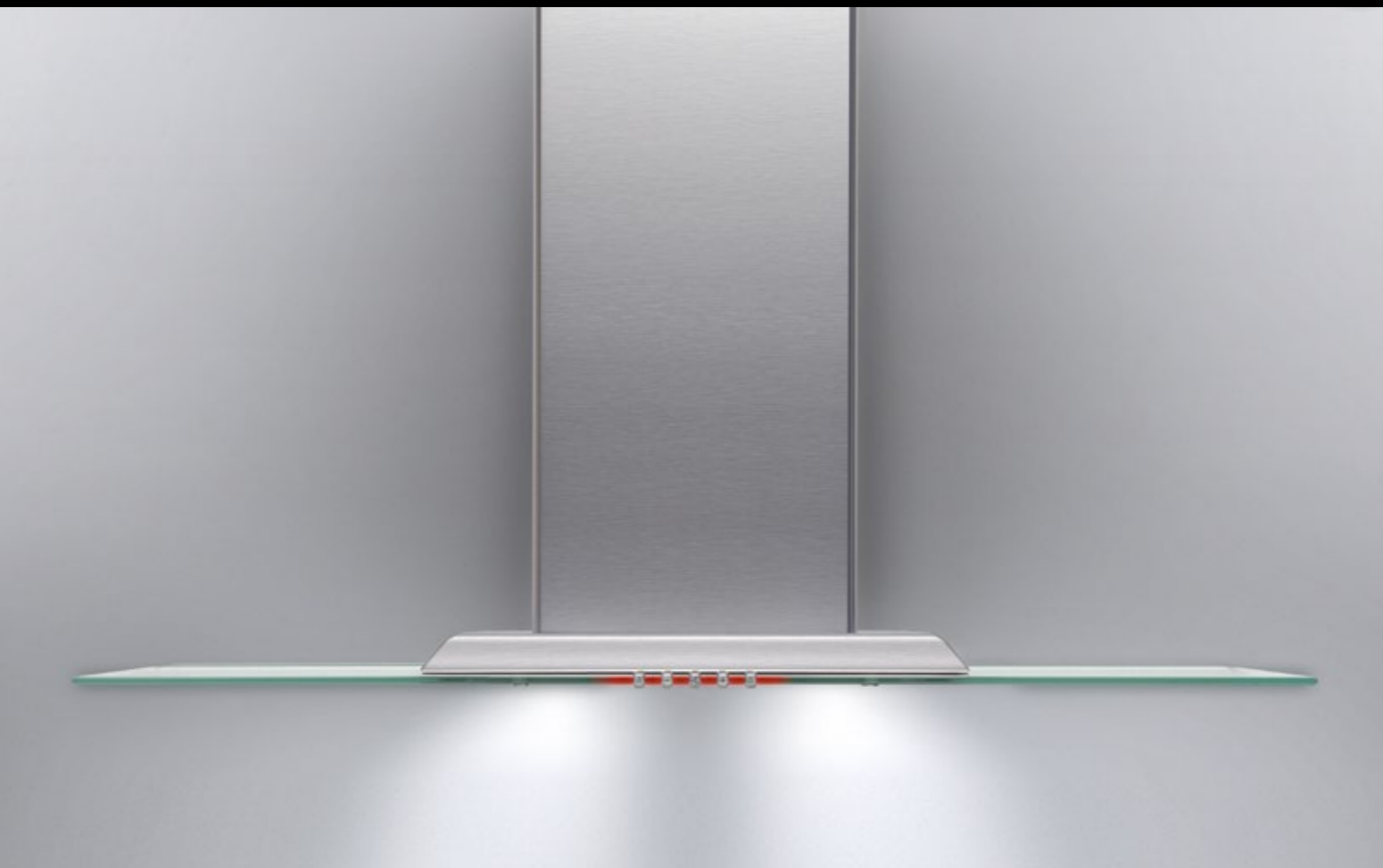
 **Airforce**  






ambiente

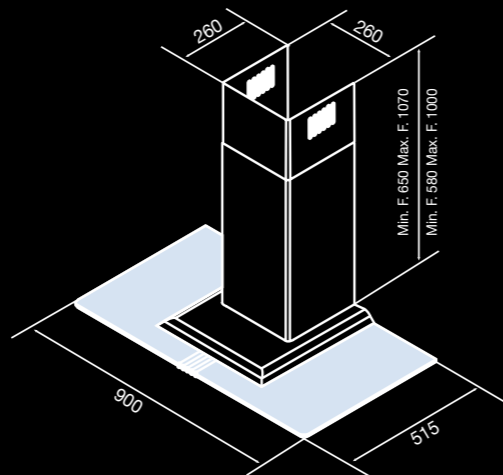
# F 77 TC



ambiente

- › Control: touch control 4 speeds with timer, led and heat sensor for automatic functioning
- › Lamps: 2x4 W led
- › Finishing: stainless steel/glass
- › Size: 90 cm
- › Motor: 600 m<sup>3</sup>/h

Washable stainless steel grease filter  
Charcoal filter for recirculation mode





silence



# Testing instruments

DESCRIPTION	PRODUCER	MODEL
Microphone	Bruel & Kjaer	4166
Pre-amplifier	Bruel & Kjaer	2639
Rotating boom	Bruel & Kjaer	3923
Connection cables	Bruel & Kjaer	/
Spectrum analyzer	Bruel & Kjaer	Pulse front-end
Calibrator	Bruel & Kjaer	4231
Power supply	Elcontrol	VIP 96
Pressure and Humidity measurement	Rotronic	A1
Atmospheric Pressure measurement	H & B	ASD 810



**silence**



# Technical features

Motor box with soundproofing panels;  
 Aluminium motor with low rpm;  
 PLF exhausting system with soundproofing panel;  
 Touch Screen control with heat sensor;  
 Noise reduction kit;

## MEASUREMENT OF NOISE LEVEL

The determination of the acoustic power has been measured in the reverberant room according to the following standards:

Motor box with soundproofing panels



Aluminium motor with low rpm



Noise reduction kit



- IEC60704-1: household and similar electrical appliances
  - Test code for determination of airborne acoustical noise
  - Part.1: General requirement;
- ISO 3743-2: Acoustics: Determination of sound power levels of noise sources using sound pressure - Engineering methods for small, movable sources in reverberant field
  - Part. 2: Methods for special reverberation test room;
- ISO 3741: Acoustics: Determination of sound power levels of noise sources
  - Precision methods for broad-band sources in reverberation room;

# F 56 TS

PLF Perimeter Laminar Flow



silence



- › Control: touch screen, 4 speeds, with timer and leds, charcoal and grease filter control, heat sensor for automatic functioning
- › Lamps: 2x20W halogen
- › Finishing: stainless steel
- › Size: 90 cm
- › Motor: 550 m<sup>3</sup>/h in aluminium with low rpm

Washable stainless steel panel and aluminium filter  
Charcoal filter for recirculation mode

silence

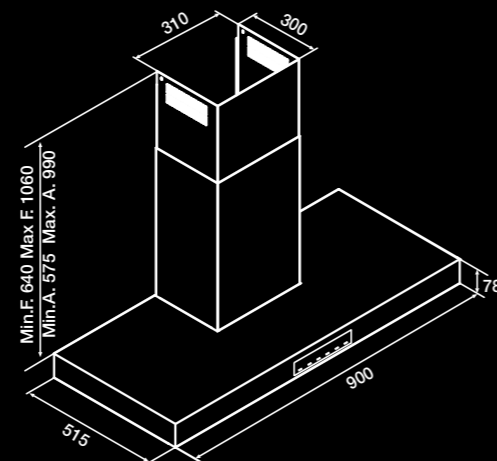
## Technical data

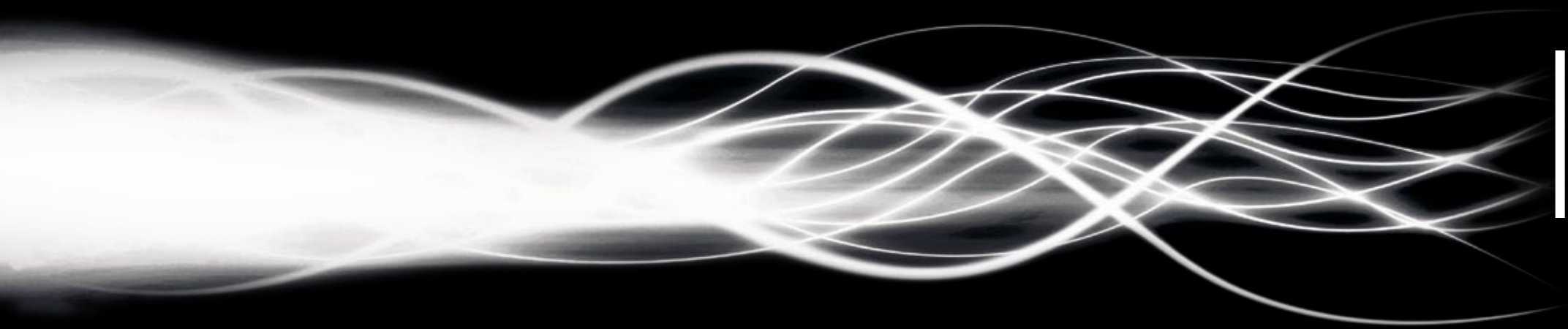
SPEED	m <sup>3</sup> /h	REVOLUTION PER MINUTE (rpm)
1°	200	640
2°	300	930
3°	350	1070
4°	550	1450

	PRESSURE (Pa)	NOISE LEVEL (dBA)*
1°	175	34,8
2°	342	45,5
3°	380	50,1
4°	460	57,6

\* The noise level data have been obtained without the noise reduction kit. The noise reduction kit (optional) allows a further noise decrease by 2 dBA.





luce



# F 69 luce

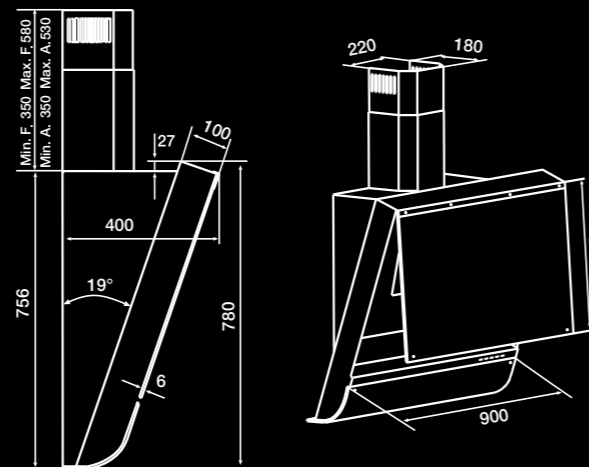
LF Laminar Flow



- › Control: electronic 4 speeds with timer and leds, grease filter control and heat sensor for automatic functioning
- › Lamps: 2x21 W
- › Finishing: stainless steel/mat glass
- › Size: 90 cm
- › Motor: 650 m<sup>3</sup>/h

Washable aluminium grease filters  
Charcoal filter for recirculation mode

luce



# F 75 luce steel

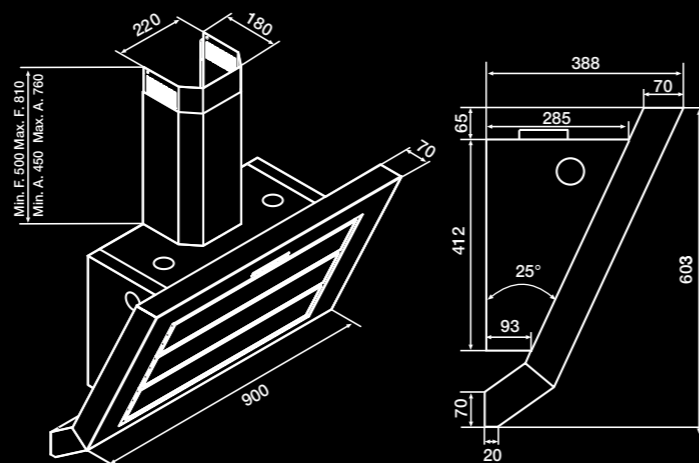
PLF Perimeter Laminar Flow



- › Control: electronic with 4 speeds, timer, charcoal filter and grease filter control, double control for cook top and decorative lights
- › Lamps: 2x20 W halogen for cook top and 4x20 W halogen decorative lights
- › Finishing: stainless steel
- › Size: 90 cm
- › Motor: 600 m<sup>3</sup>/h  
800 m<sup>3</sup>/h in aluminium

Washable stainless steel or aluminium filters  
Charcoal filters for recirculation mode

luce



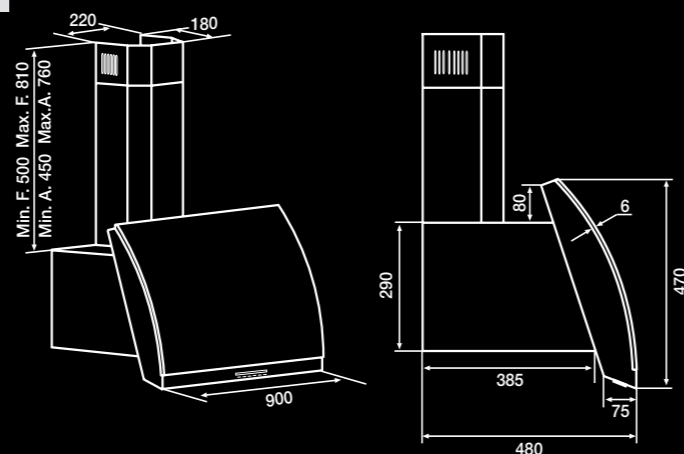
# F 82 luce



- › Control: electronic with 4 speeds, timer, charcoal filter and grease filter control, double control for cook top and decorative lights
- › Lamps: 2x20 W halogen for cook top and 2x13 W decorative lights
- › Finishing: stainless steel/glass
- › Size: 90 cm
- › Motor: 600 m<sup>3</sup>/h or 800 m<sup>3</sup>/h in aluminium

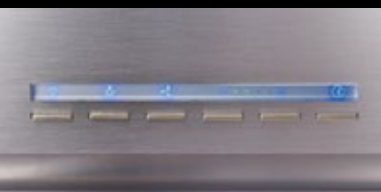
Washable aluminium grease filters  
Charcoal filters for recirculation mode

luce



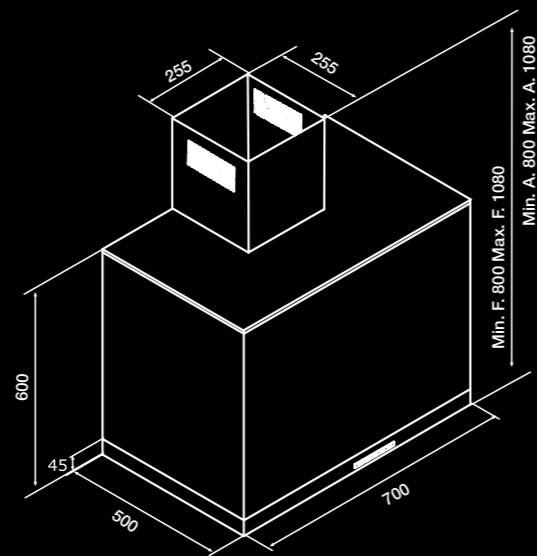
# F 86 luce

PLF Perimeter Laminar Flow



- › Control: electronic with 4 speeds, timer, charcoal filter and grease filter control
- › Lamps: 2x20 W halogen and decorative light
- › Finishing: stainless steel/white glass
- › Size: 70 cm
- › Motor: 600 m<sup>3</sup>/h

Washable aluminium grease filter  
Charcoal filter for recirculation mode



luce



# F 91 luce



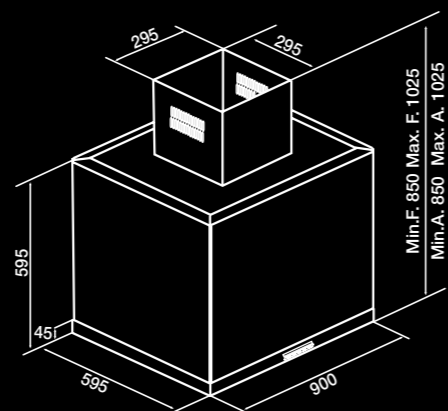
Island version

PLF Perimeter Laminar Flow

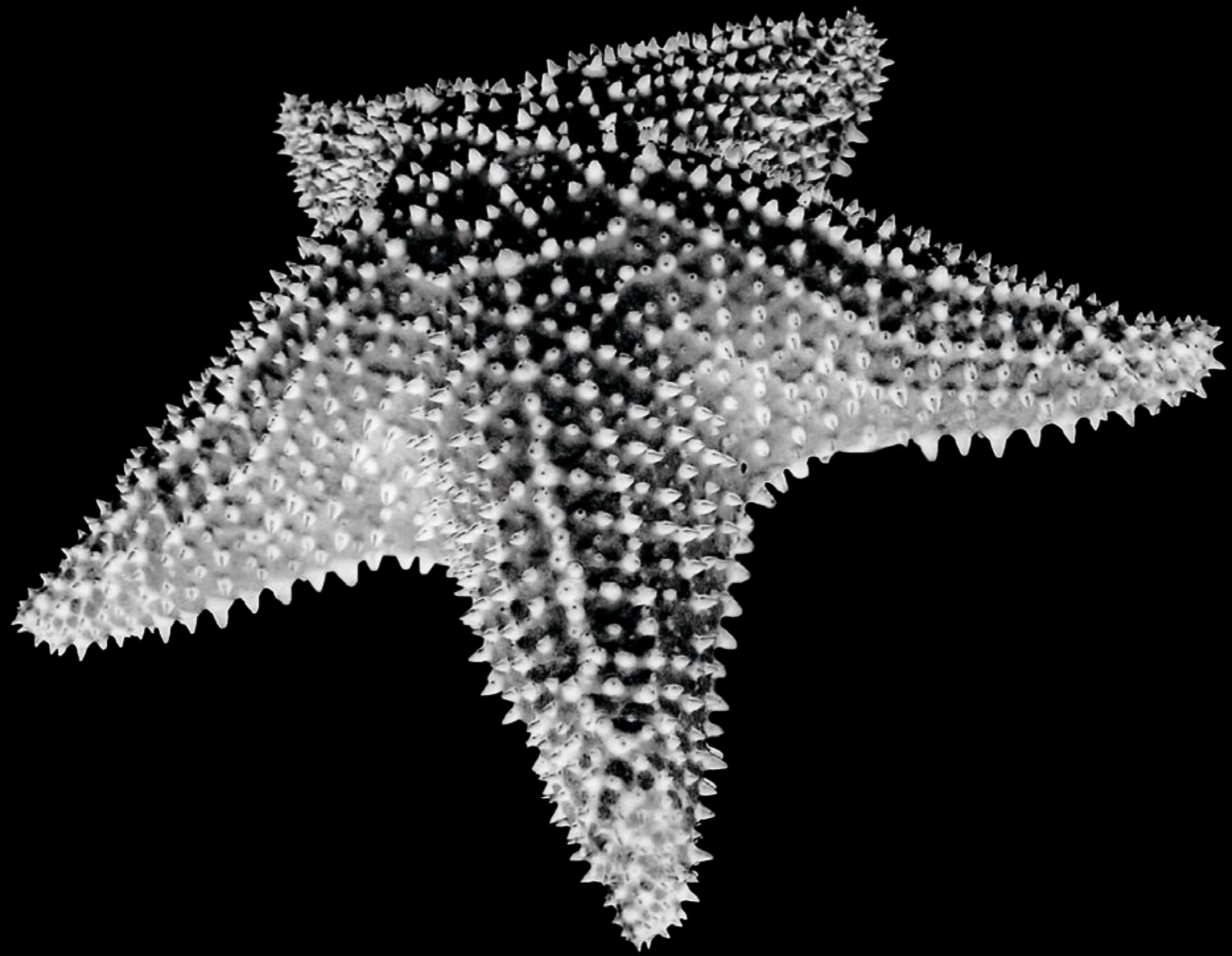


- › Control: electronic with 4 speeds, timer, charcoal filter and grease filter control
- › Lamps: 2x20 W halogen and decorative light
- › Finishing: stainless steel/white glass
- › Size: 90x60 cm
- › Motor: 600 m<sup>3</sup>/h

Washable aluminium grease filter  
Charcoal filter for recirculation mode



luce



penta

# multifunction electronic controls

High style controls are the technological helm of the Penta line.  
A double multi function, manual or automatic with heat sensor, guarantees great performance.



# aluminium motor with NR system (Noise Reduction)

All the models of the Penta Line are equipped with an aluminium motor with NR System (Noise Reduction).  
When installed on the air outlet it helps reduce noise.

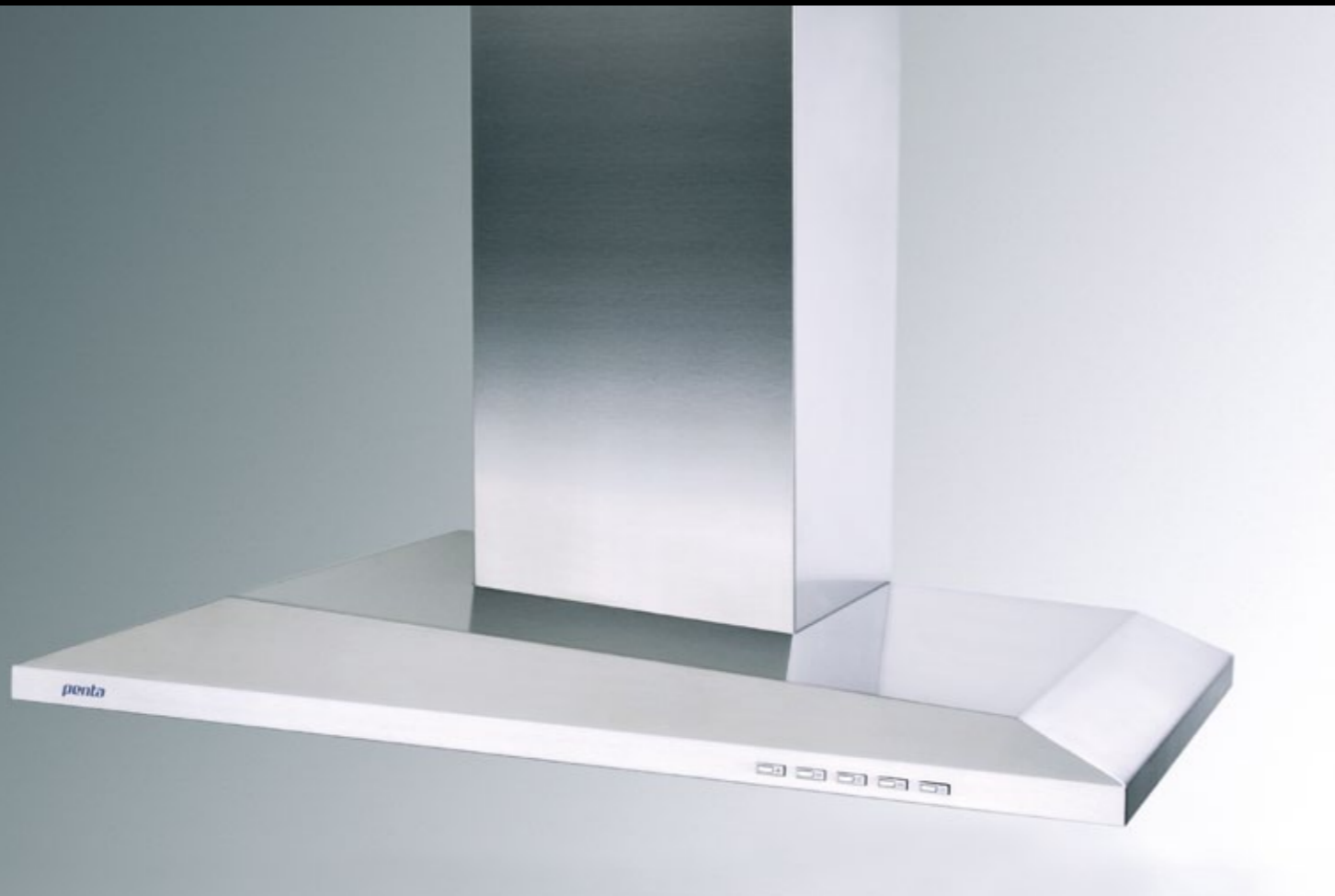


Aluminium motor



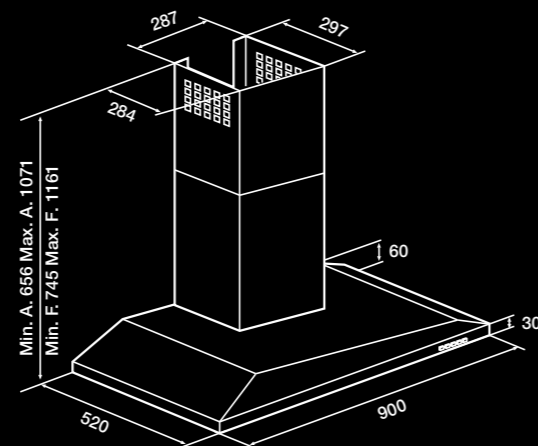
Noise reduction kit

# P<sub>1</sub>



- › Control: Electronic 4 speeds with timer and leds, grease filter control, heat sensor for automatic functioning
- › Lamps: 2x20W halogen
- › Finishing: stainless steel
- › Size: 90 cm
- › Motor: 900 m<sup>3</sup>/h in aluminium

Washable stainless steel grease filters  
Charcoal filters for recirculation mode



penta

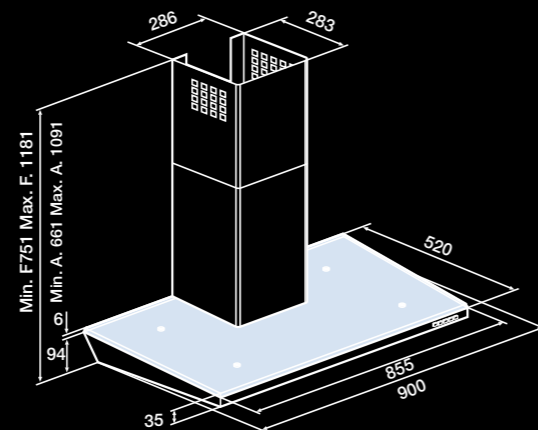


# P<sub>2</sub>



- › Control: Electronic 4 speeds with timer and leds, grease filter control, heat sensor for automatic functioning
- › Lamps: 2x20W halogen
- › Finishing: stainless steel/glass
- › Size: 90 cm
- › Motor: 900 m<sup>3</sup>/h in aluminium

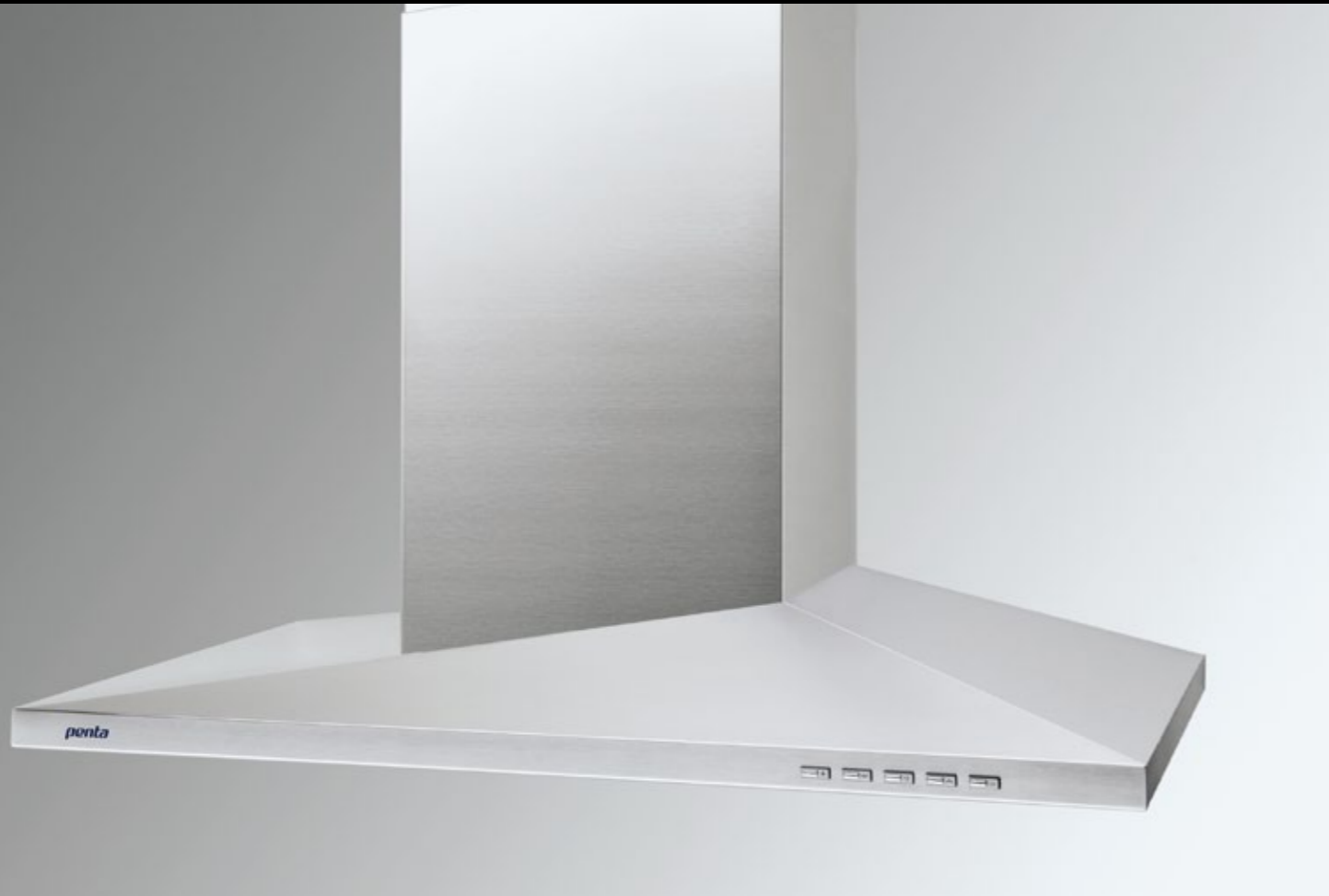
Washable stainless steel grease filters  
Charcoal filters for recirculation mode



penta



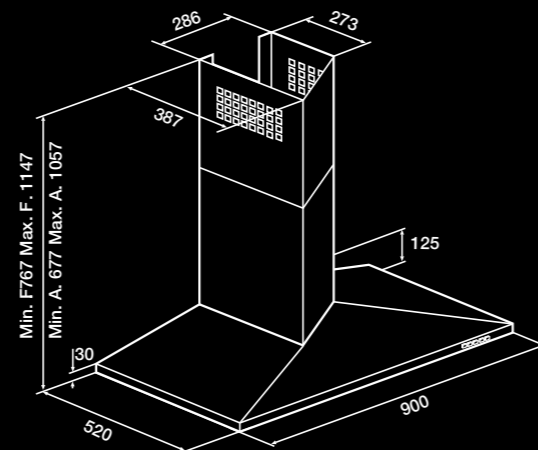
# P<sub>3</sub>



- › Control: Electronic 4 speeds with timer and leds, grease filter control, heat sensor for automatic functioning
- › Lamps: 2x20W halogen
- › Finishing: stainless steel
- › Size: 90 cm
- › Motor: 900 m<sup>3</sup>/h in aluminium

Washable stainless steel grease filters  
Charcoal filters for recirculation mode

penta



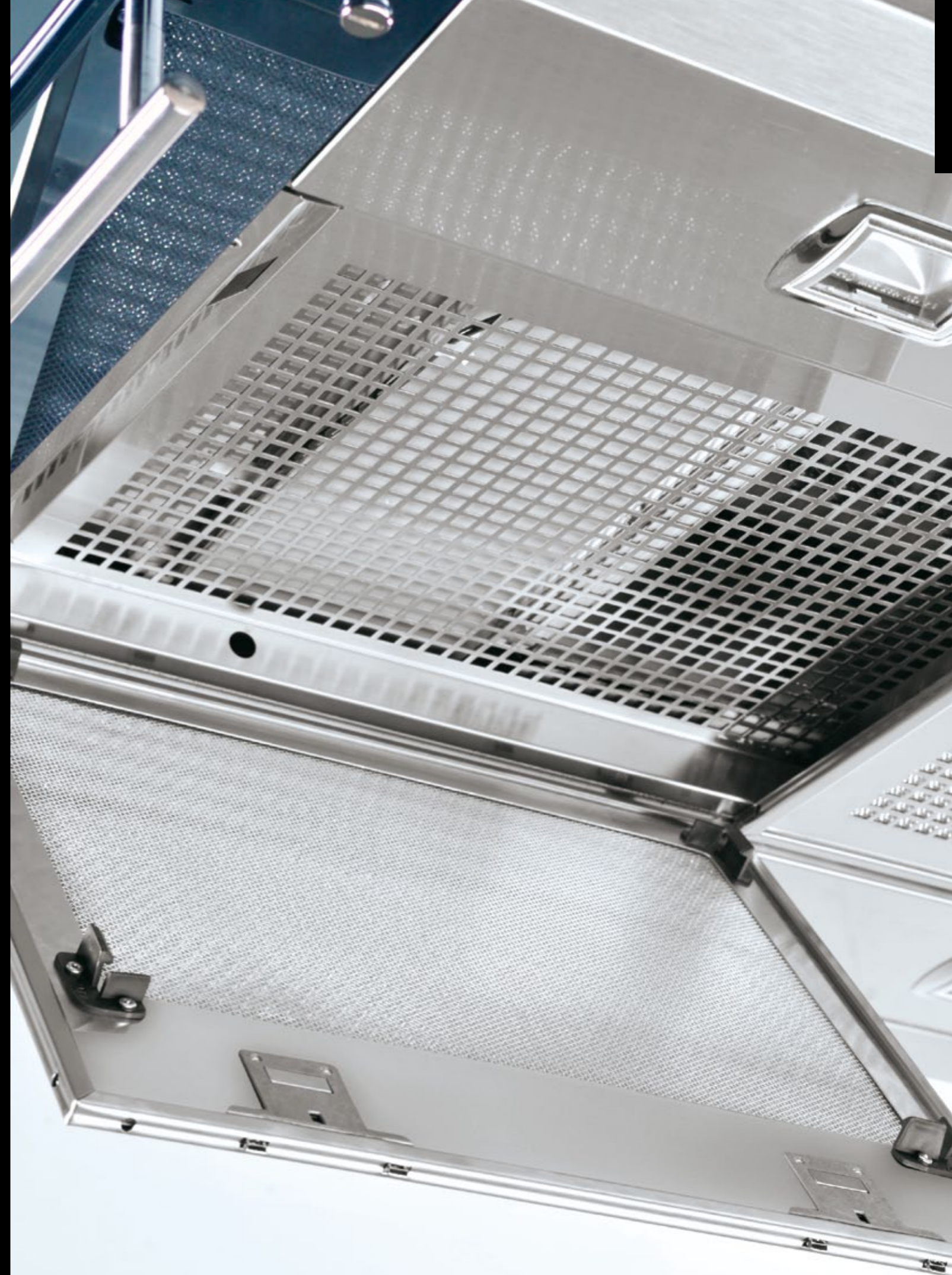
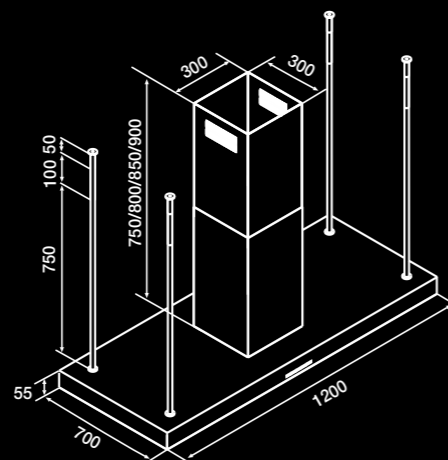
# E1

Island version  



- › Control: Electronic 4 speeds with timer and leds grease filter control, heat sensor for automatic functioning
- › Lamps: 4x20W halogen
- › Finishing: stainless steel
- › Size: 70x120 cm
- › Motor: 900 m<sup>3</sup>/h in aluminium

Washable stainless steel grease filters  
Ladle racks  
Charcoal filters for recirculation mode



penta



special

# F 78 TLC

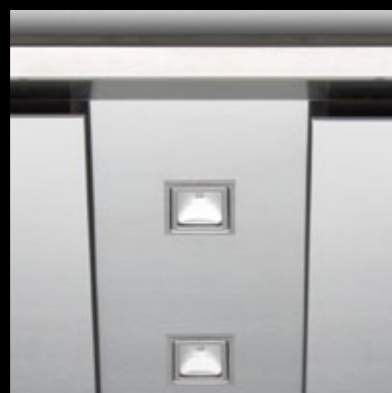
PLF Perimeter Laminar Flow



CEILING HOOD

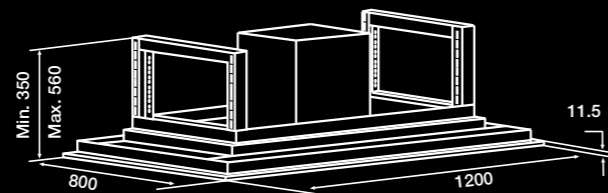


- 1 + motor
- 2 On/Off motor
- 3 - motor
- 4 On/Off light
- 5 Led



special

- › Control: remote control 4 speeds with timer
  - › Lamps: 4x20 W halogen
  - › Finishing: stainless steel
  - › Size: 120x80 cm
  - › Motor: 800 m<sup>3</sup>/h in aluminium
- Washable aluminium filters  
Charcoal filters for recirculation mode

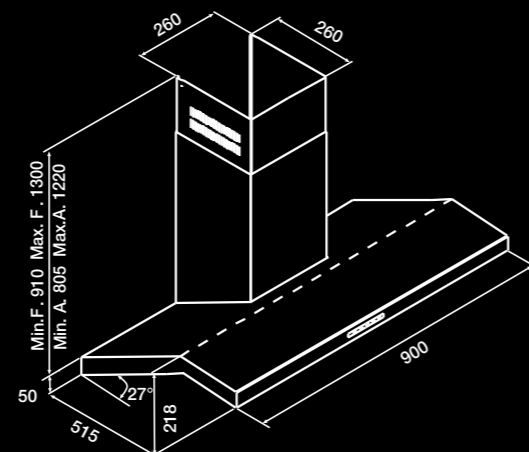


# F 11 RLN



- › Control: soft touch 3 speeds with timer and leds
  - › Lamps: 2x20 W halogen
  - › Finishing: stainless steel
  - › Size: 90 cm
  - › Motor: 600 m<sup>3</sup>/h
- Washable stainless steel baffle filter

special





millennium

# F 80 TS black 90

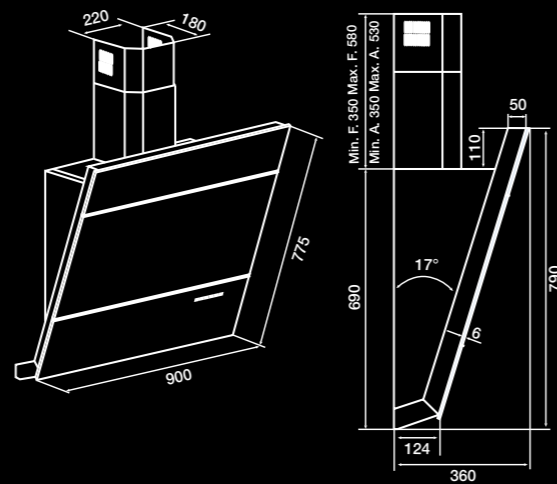


- › Control: touch screen, 4 speeds, with timer and leds, charcoal and grease filter control, heat sensor for automatic functioning
- › Lamps: 2x20 W halogen
- › Finishing: stainless steel/black glass
- › Size: 90 cm
- › Motor: 600 m<sup>3</sup>/h

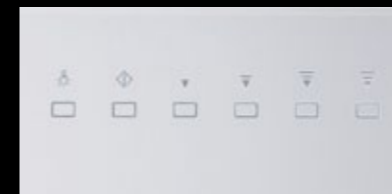
Washable aluminium grease filter  
Charcoal filter for recirculation mode

millennium

Slight automatic opening for recycling.  
"Shock absorbers" that soften the impact of the front panel when closing.



# F 80 TS white 90

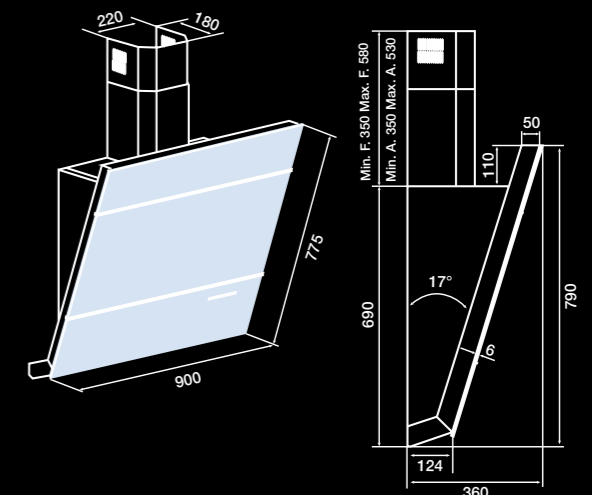


- › Control: touch screen, 4 speeds, with timer and leds, charcoal and grease filter control, heat sensor for automatic functioning
- › Lamps: 2x20 W halogen
- › Finishing: stainless steel/white glass
- › Size: 90 cm
- › Motor: 600 m<sup>3</sup>/h

Washable aluminium grease filter  
Charcoal filter for recirculation mode

millennium

Slight automatic opening for recycling.  
"Shock absorbers" that soften the impact of the front panel when closing.





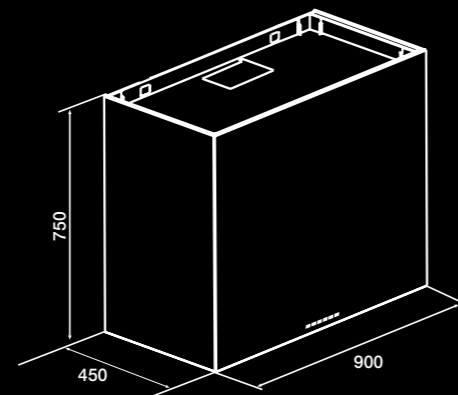
# F 79 TS black 90

PLF Perimeter Laminar Flow



- › Control: touch screen, 4 speeds, with timer and leds, charcoal and grease filter control, heat sensor for automatic functioning
- › Lamps: 2x20 W halogen
- › Finishing: stainless steel/black glass
- › Size: 90 cm
- › Motor: 600 m<sup>3</sup>/h

Washable stainless steel panels and aluminium filters  
Charcoal filters for recirculation mode



millennium



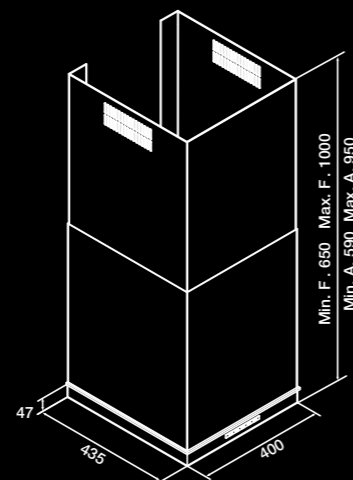
# F 61 RLN



- › Control: soft touch 3 speeds with timer and leds
- › Lamps: 2x20 W halogen
- › Finishing: stainless steel/dark glass
- › Size: 40 cm
- › Motor: 600 m<sup>3</sup>/h

Washable aluminium grease filter  
Charcoal filter for recirculation mode

millennium



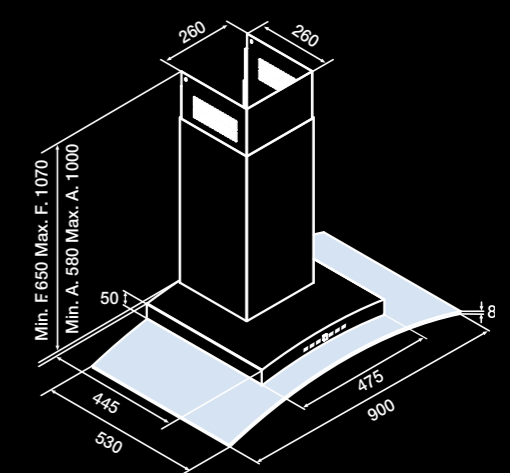
# F 70 DS



- › Control: electronic control with display 4 speeds, timer, charcoal filters and grease filters control
- › Lamps: 2x20 W halogen
- › Finishing: stainless steel/dark glass/transparent glass
- › Size: 90 cm
- › Motor: 600 m<sup>3</sup>/h

Washable aluminium grease filter  
Charcoal filter for recirculation mode

millennium



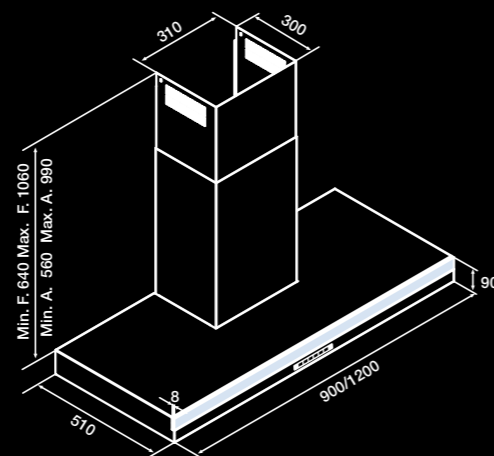
# F 66 DS

PLF Perimeter Laminar Flow



- › Control: electronic control with display  
4 speeds, timer, charcoal filters  
and grease filters control
- › Lamps: 2x20 W halogen
- › Finishing: stainless steel/dark glass
- › Size: 90/120 cm
- › Motor: 600 m<sup>3</sup>/h  
800 m<sup>3</sup>/h in aluminium

Washable stainless steel panels and aluminium filters  
Charcoal filters for recirculation mode



millennium

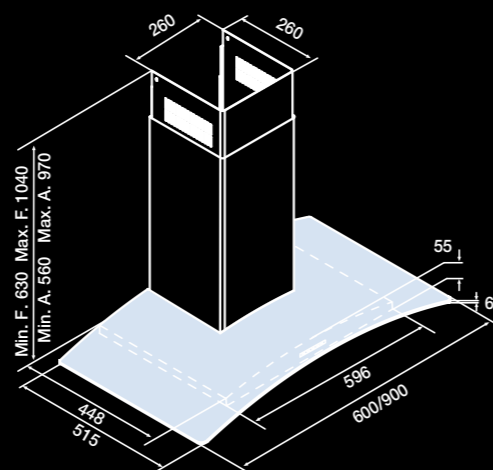
# F 39 RLN



- › Control: soft touch 3 speeds with timer and leds
- › Lamps: 2x20 W halogen
- › Finishing: stainless steel/glass
- › Size: 60/90 cm
- › Island version: F40 RLN  
60x90/60x60 cm
- › Motor: 600 m<sup>3</sup>/h  
800 m<sup>3</sup>/h in aluminium

Washable aluminium grease filter  
Charcoal filter for recirculation mode

millennium



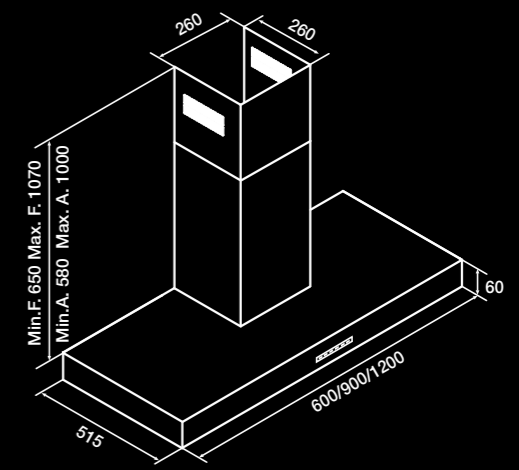
# F 53 RLN



- › Control: soft touch 3 speeds with timer and leds
- › Lamps: 2x20 W halogen
- › Finishing: stainless steel or aluminium painted
- › Size: 60/90/120 cm
- › Island version: F54 RLN - 60X90/60X120 cm
- › Motor: 600 m<sup>3</sup>/h  
or 800 m<sup>3</sup>/h aluminium

Washable aluminium grease filters  
Charcoal filters for recirculation mode

millennium



# F0 RLN



- › Control: soft touch 3 speeds with timer and leds
- › Lamps: 2x20 W halogen
- › Finishing: stainless steel
- › Size: 60/70/90 cm
- › Motor: 600 m<sup>3</sup>/h

Washable aluminium grease filters  
Charcoal filters for recirculation mode

RL



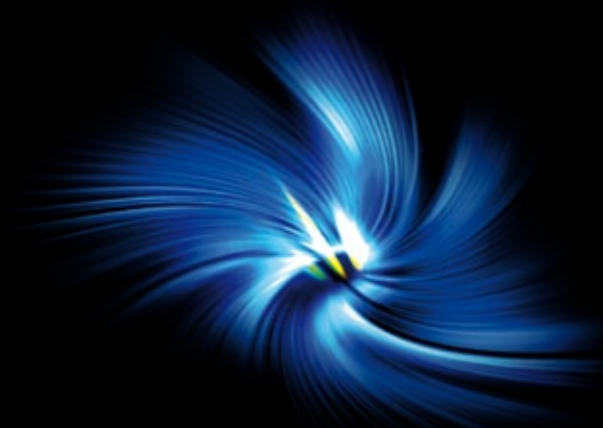
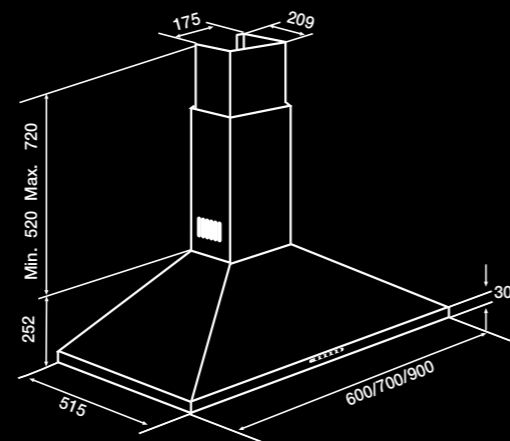
PB



SL



millennium



**Airforce**

Frazione Marischio, 140/e  
60044 Fabriano (AN) Italy  
Tel. +39 0732 250468-736160  
Fax +39 0732 736186-249337  
e-mail: info@airforcespa.com

Airforce S.p.A reserves the right to modify technical specifications without any warning

20  
  
09