

SHELF SUPPORTS

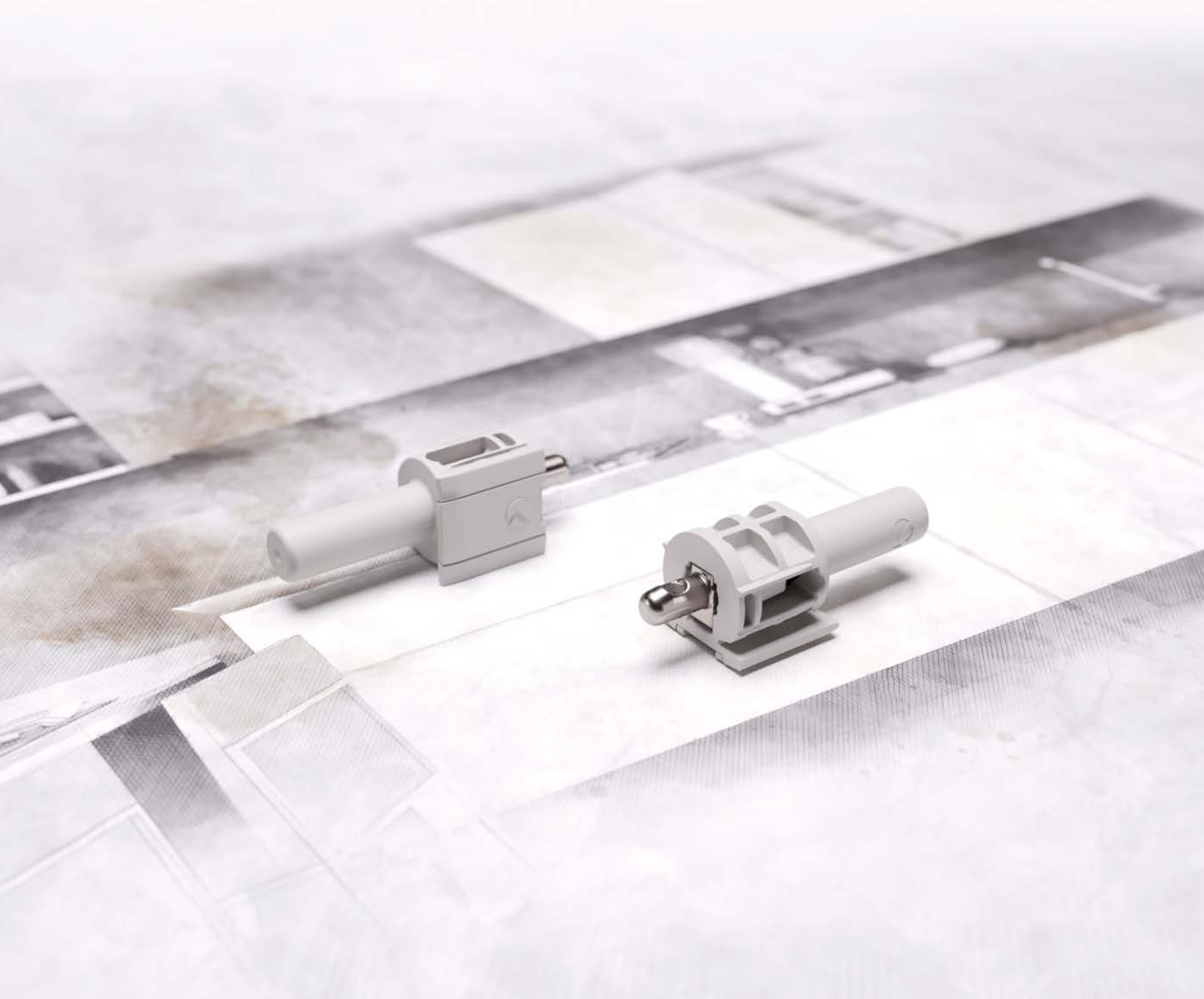
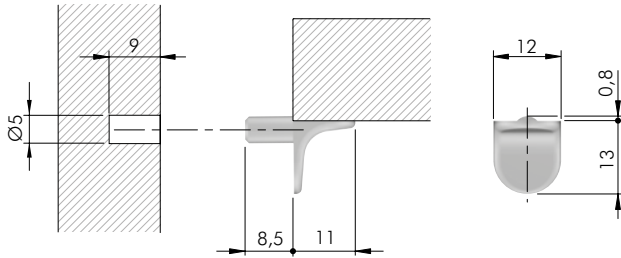


Table of contents

SECURY PALETTA	1.1
MINISECURITY	1.1
PULL-IN CORNER BRACKET	1.3
K LINE	1.4
SHELF RETAINER	1.6
DUAL	1.7
FLIPPER	1.8
FLIPPER-BI	1.12
UNICO	1.15
MAORI - Flush installation	1.18
MAORI - Step installation	1.19
PK2	1.26
PK2 FOR 18 - 19 mm SHELF SIDE BRACKET ROUND LEDGE	1.37
PK2 PRO	1.41
KINTAI	1.47
KERALA	1.49
TRIS	1.51
TRIS FOR 35 mm SHELF MIN. SIDE BRACKET ROUND LEDGE	1.58
SECRET MAXI FOR 25 mm SHELF MIN.	1.63
DRILLING JIG FOR SHELF SUPPORTS	1.67
TEMPLATE FOR KINTAI SHELF SUPPORT	1.68

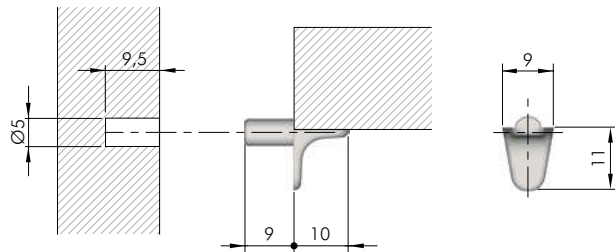


SECURY PALETTA

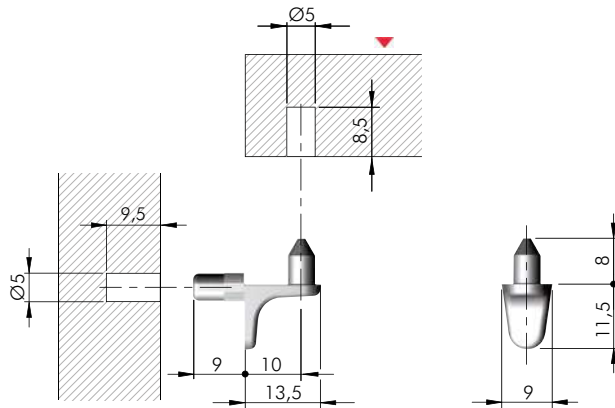


= Ø 5 mm	
ZA	= 2500 pcs.
10209020YA	

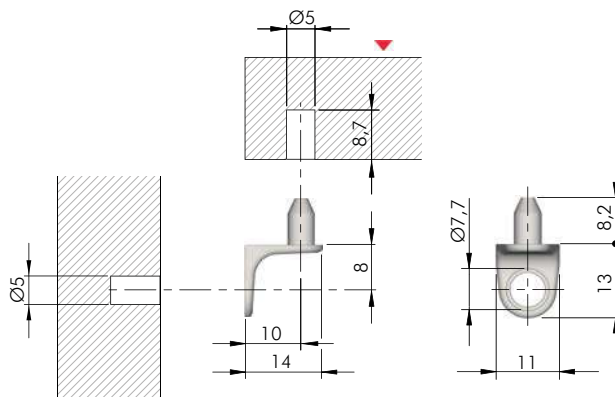
MINISECURITY Certificates available on request.



= Ø 5 mm	
ZA	= 5000 pcs.
10201010YA	

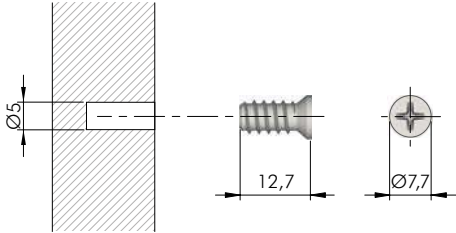


= Ø 5 mm	
ZA	= 2500 pcs.
10202010YA	



= Ø 5 mm	
ZA	= 5000 pcs.
10204010YA	

FIXING ACCESSORY FOR MINISECURITY PART. NO 10204010YA

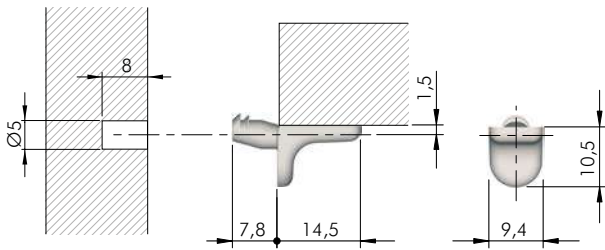


= Ø 5 mm +

= PZ2

= 5000 pcs.

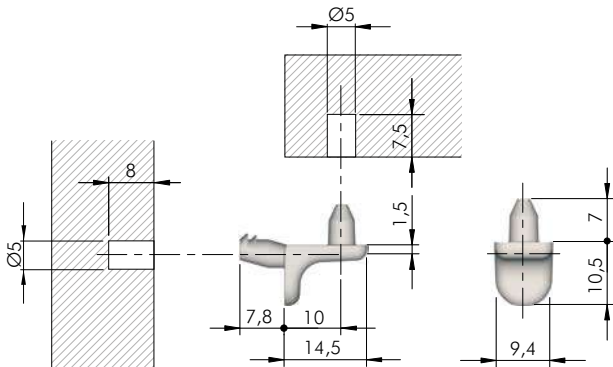
60501050YA



= Ø 5 mm +

= 2500 pcs.

10205010YA



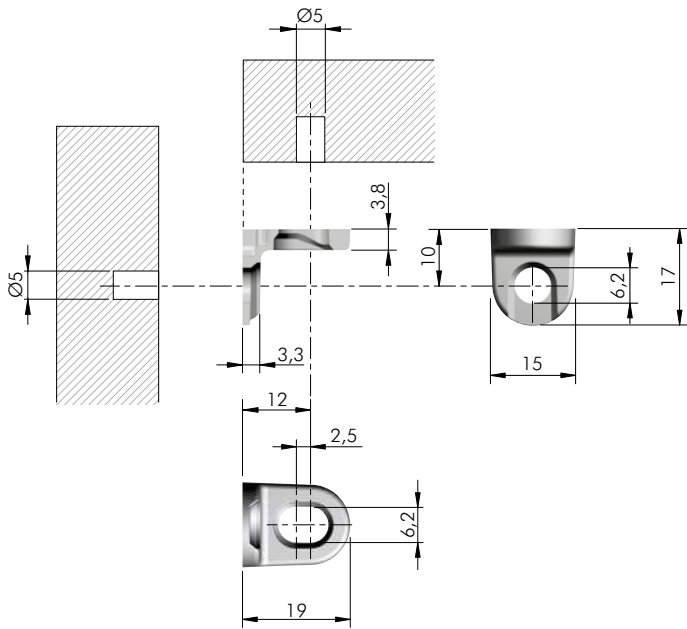
= Ø 5 mm +

= 2500 pcs.

10206010YA

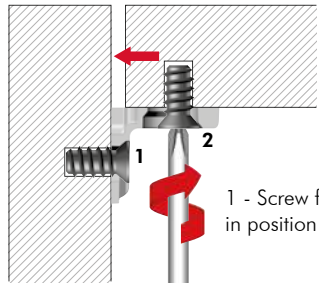


PULL-IN CORNER BRACKET

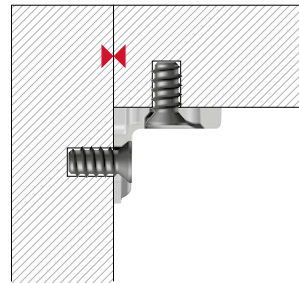


= Ø 5 mm	
ZA	= 2500 pcs.
10203010YA	

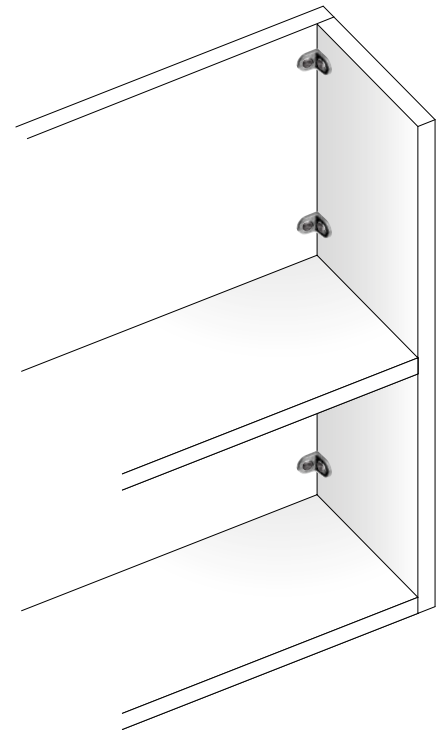
BEFORE SCREWING OPERATION 2



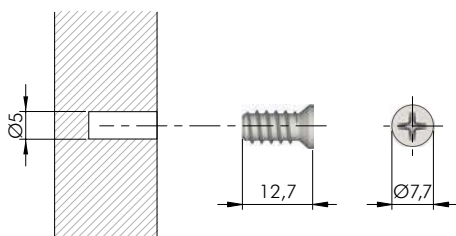
AFTER SCREWING OPERATIONS



1 - Screw fully inserted in position




PULL-IN CORNER BRACKET FIXING ACCESSORY

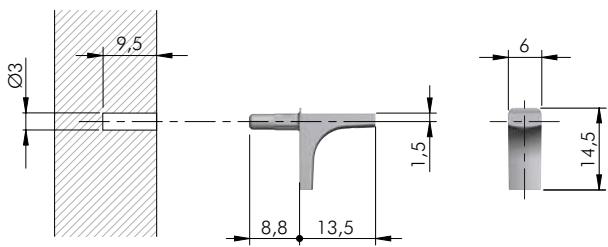








= Ø 5 mm	
= PZ2	= 5000 pcs.
ST	
60501050YA	

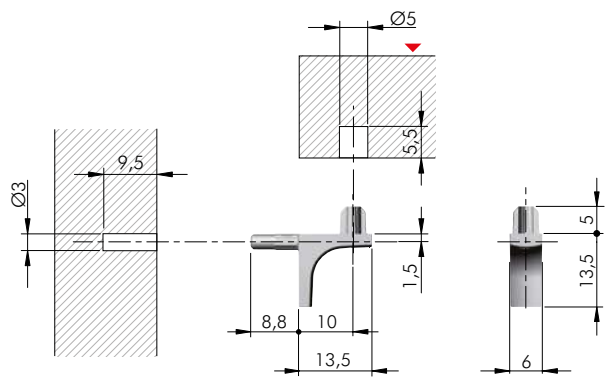
K LINE









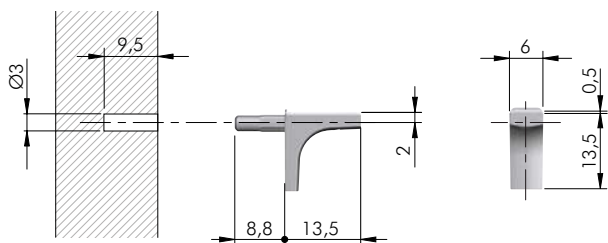
Certificates available on request. 









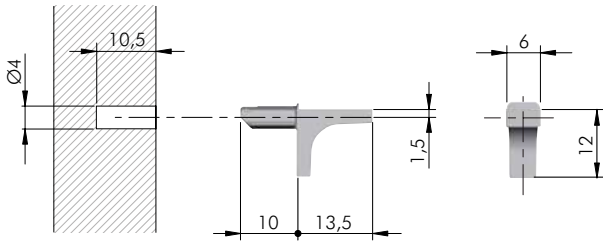
 = Ø 3 mm	
ZA	 = 5000 pcs.
 123	 
10208230YA	YQ



 = Ø 3 mm	
ZA	 = 5000 pcs.
 123	 
10208210YA	YQ



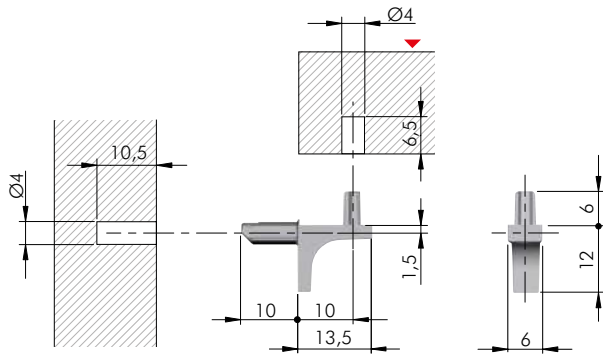
 = Ø 3 mm	
ZA SRn	 = 5000 pcs.
 123	 
10208250YA	YQ



= Ø 4 mm +

= 5000 pcs.

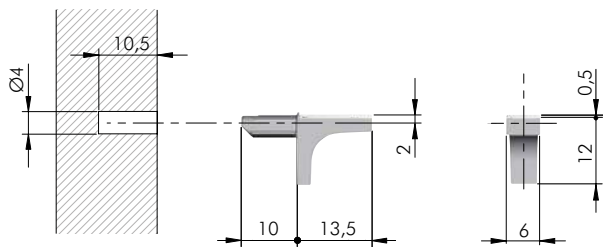
10208110YA **YQ**



= Ø 4 mm +

= 5000 pcs.

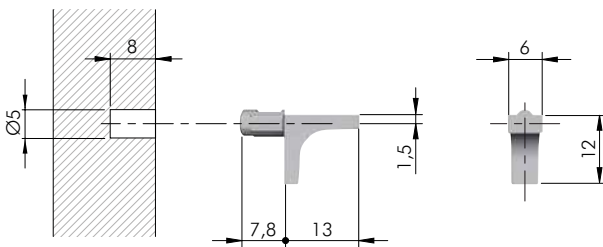
10208140YA **YQ**



= Ø 4 mm +

= 5000 pcs.

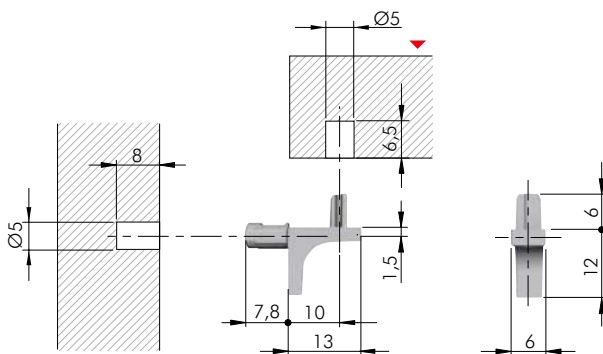
10208150YA **YQ**



= Ø 5 mm +

= 5000 pcs.

10208020YA **YQ**



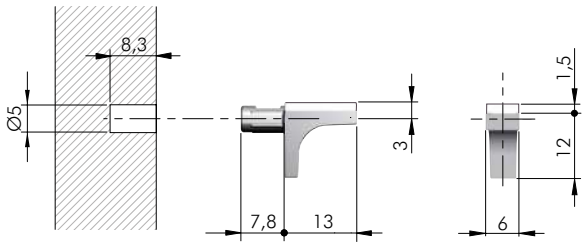
= Ø 5 mm +

= 5000 pcs.

10208050YA **YQ**

SHELF SUPPORTS

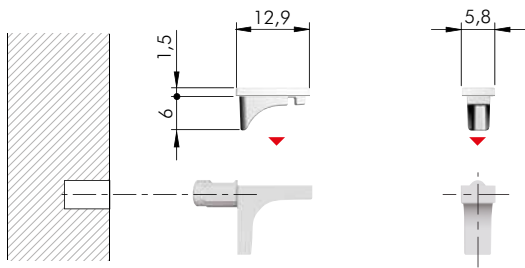
1



= Ø 5 mm +

= 5000 pcs.

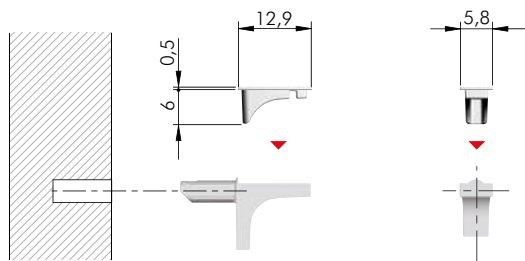
10208030YA | **YQ**



+

= on request

10208060AA

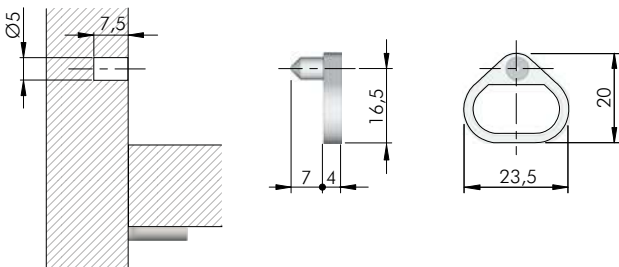


+

= on request

10208070AA

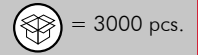
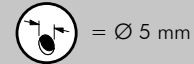
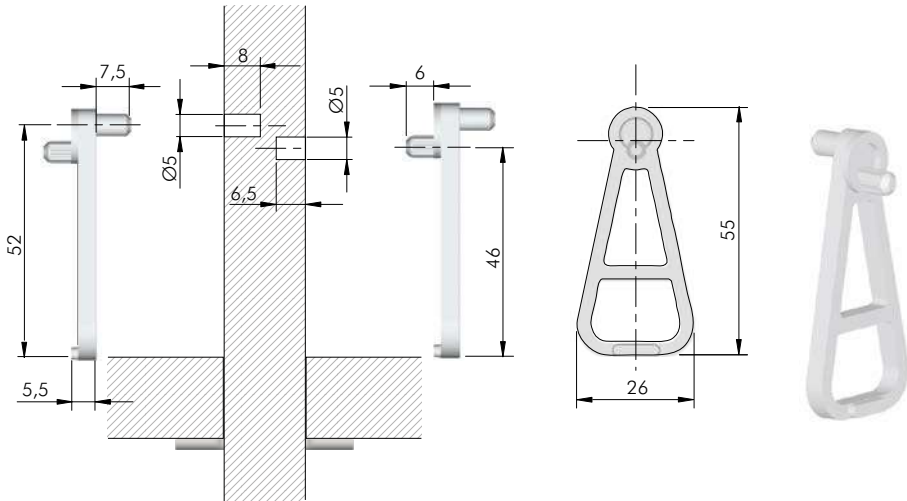
SHELF RETAINER



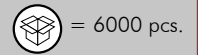
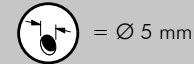
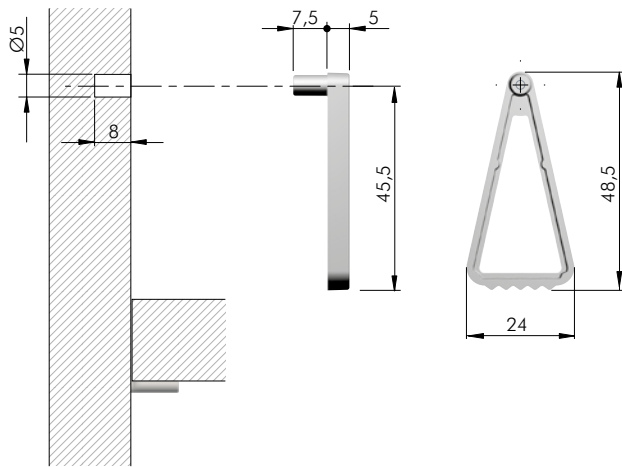
= Ø 5 mm

= 5000 pcs.

10303010AA



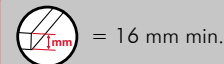
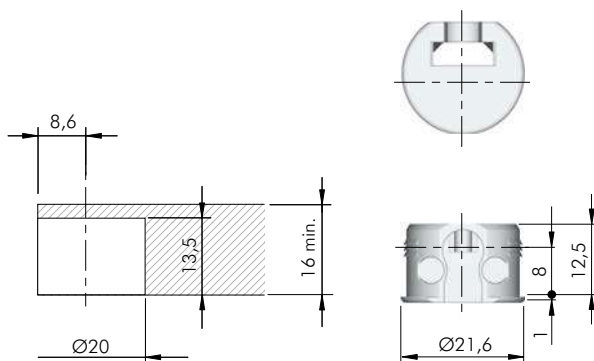
10304010AA



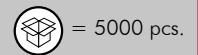
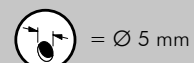
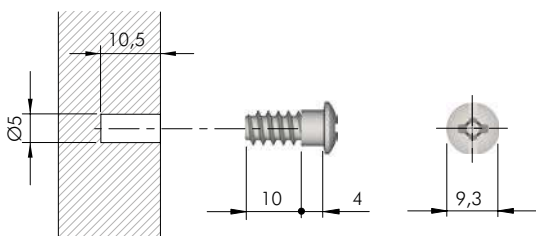
10305010AA



DUAL



10501010EA AB



10502010ZN



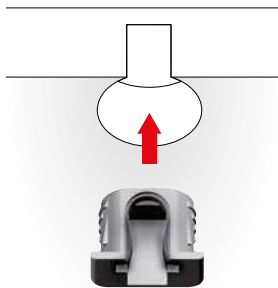
FLIPPER



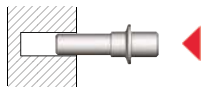
12 mm min.

Certificates available on request.

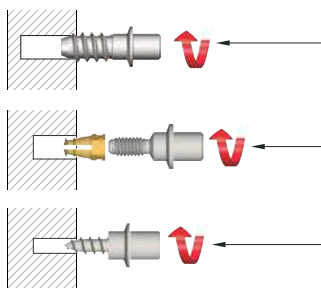
INSTALLATION



Assembling with smooth pin

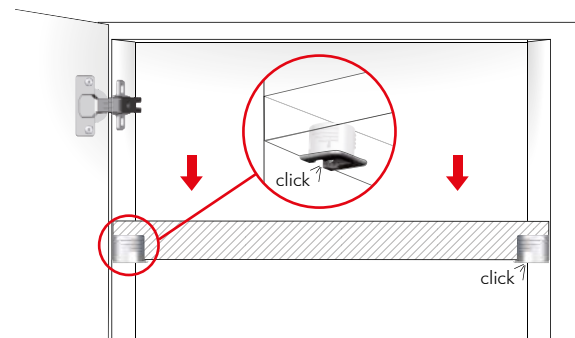
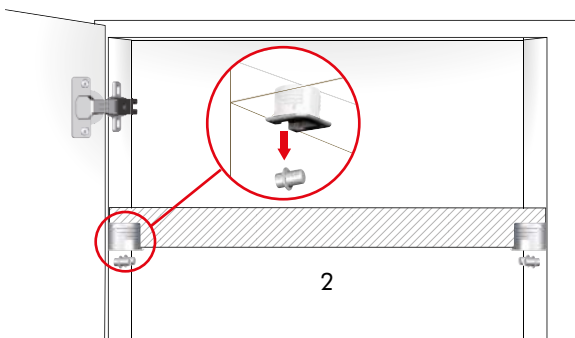
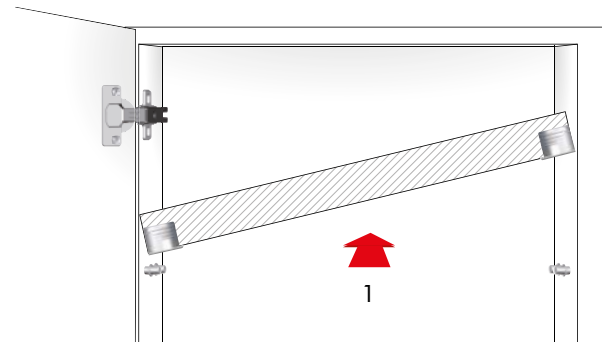


Assembling with threaded pin to achieve horizontal connection

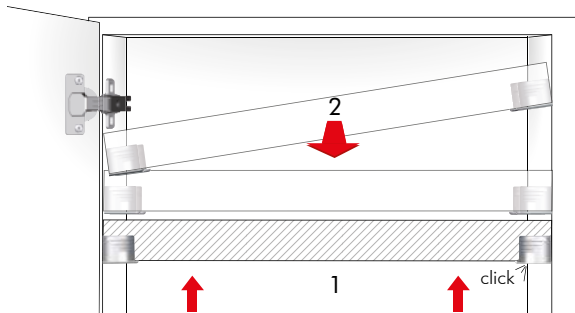


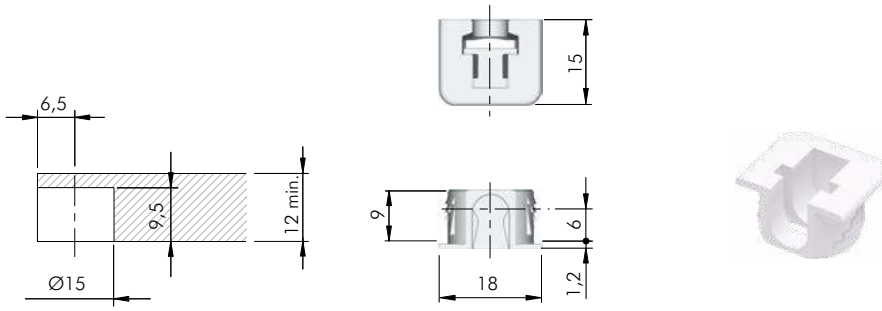
cross PZ2 screwdriver

SHELF INSTALLATION



SHELF REMOVAL FOR NEW REPOSITIONING

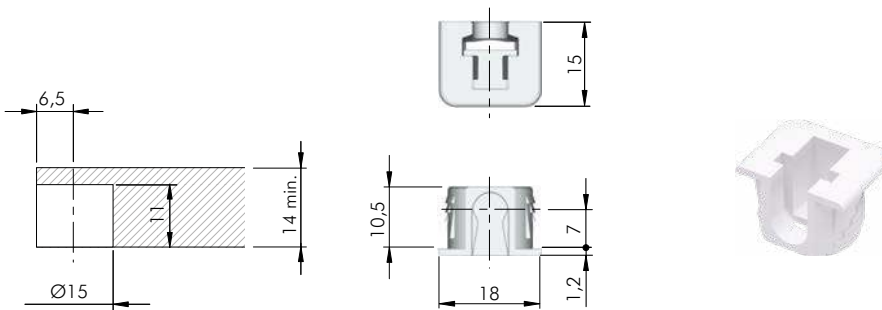




 = 12 mm
 + 

 = 10.000 pcs.

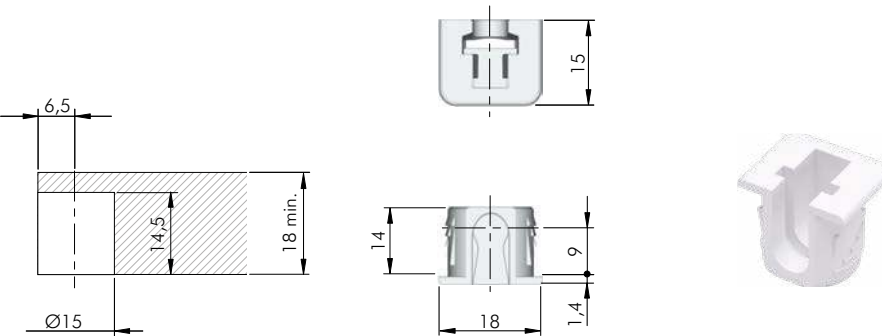

 
10601010AB | **JG**



 = 14 mm
 + 

 = 10.000 pcs.

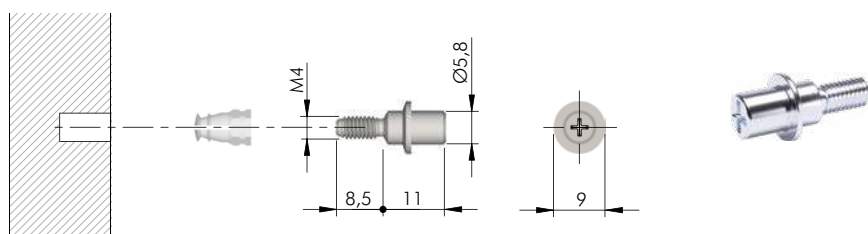

 
10601021AB | **JG**





 = 18 mm
 + 

 = 8000 pcs.


 
10601030AB | **JG**



 = M4
 = PZ2

 = 4000 pcs.

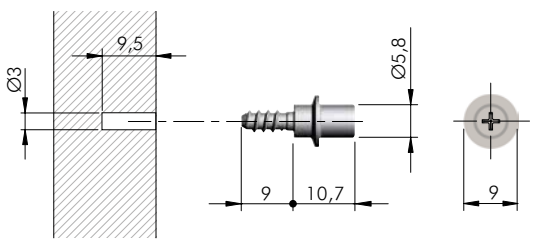


10602010ZN



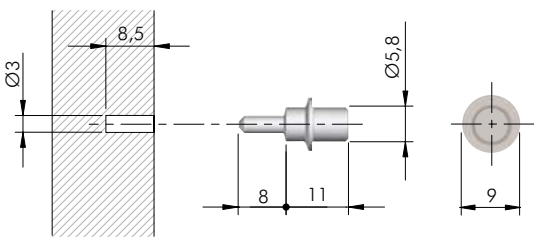
SHELF SUPPORTS

1



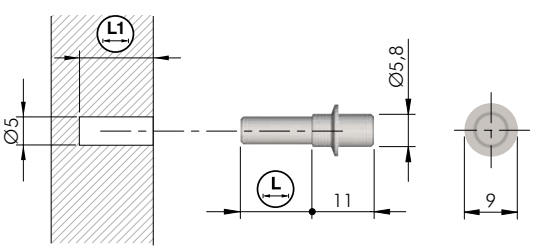
= Ø 3 mm
 = PZ2
 ST = 2500 pcs.

10603031ZN



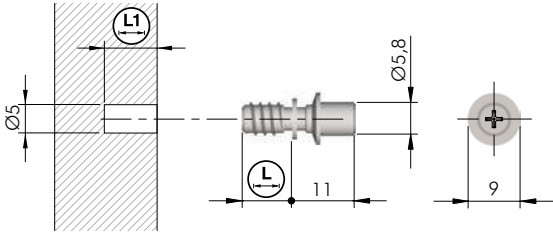
= Ø 3 mm
 ST = 5000 pcs.

10605030ZN



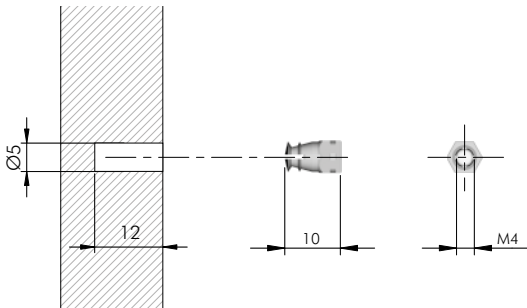
= Ø 5 mm
 ST = 2500 pcs.

10605020ZN	12,5	13
10605010ZN	8,5	9



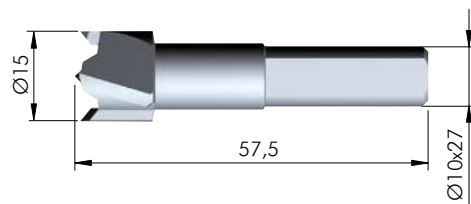
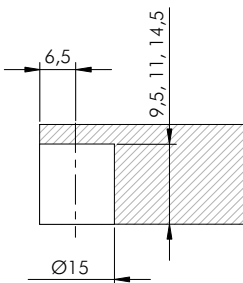
= Ø 5 mm			
= PZ2			
ST			
10604020ZN	7,5	8	5000
10604010ZN	8,8	9,3	2500

FLIPPER FIXING ACCESSORY

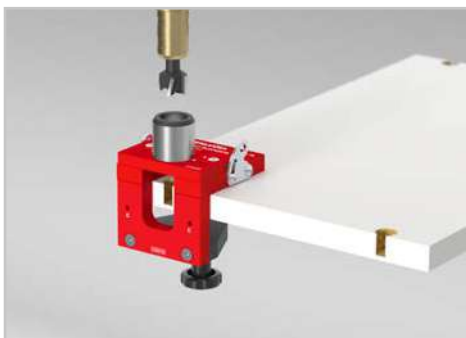


= Ø 5 mm			
= M4			
BR	= 10.000 pcs.		
20502021HL			

DRILL BIT FOR FLIPPER 12, 14, 18 mm

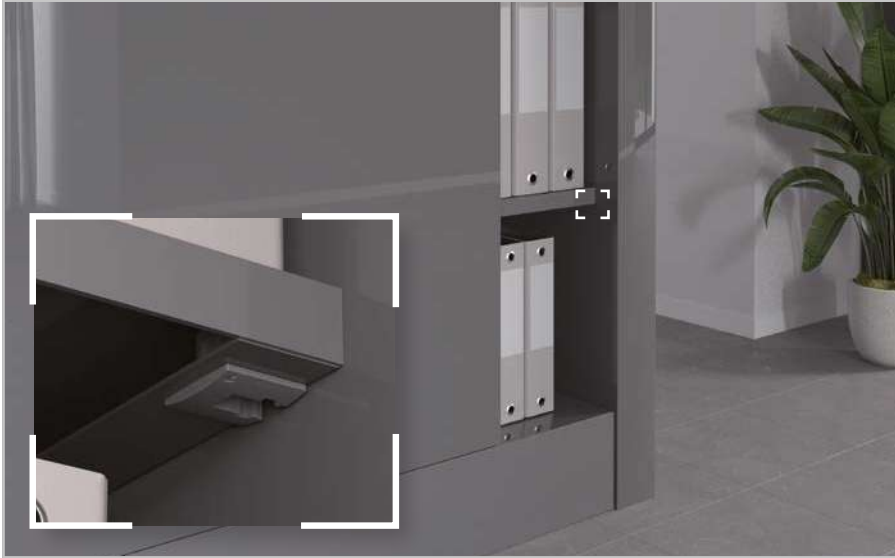


HSS	= on request		
1065201000	R		



All the information about drilling jigs are available at the end of the chapter "Shelf Supports".

FLIPPER-BI

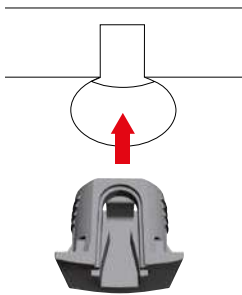


18 mm min.



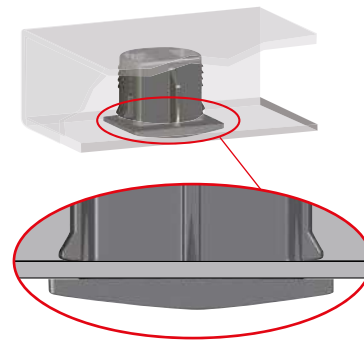
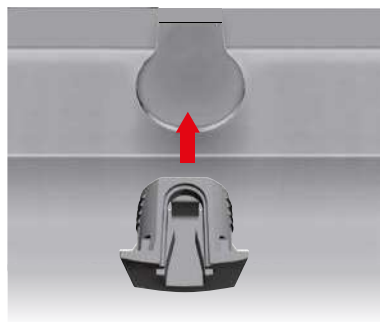
INSTALLATION

WOOD SHELF

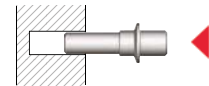


INSTALLATION

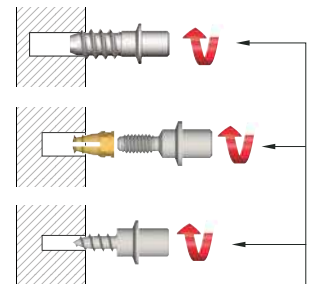
METAL SHELF



Assembling with smooth pin

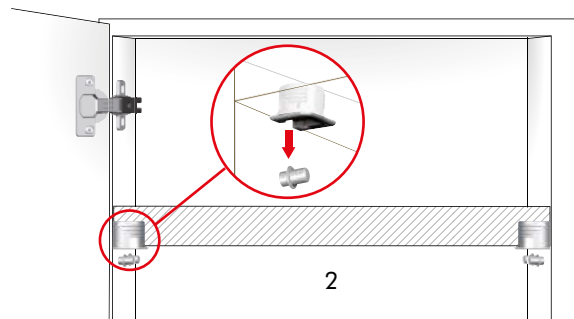
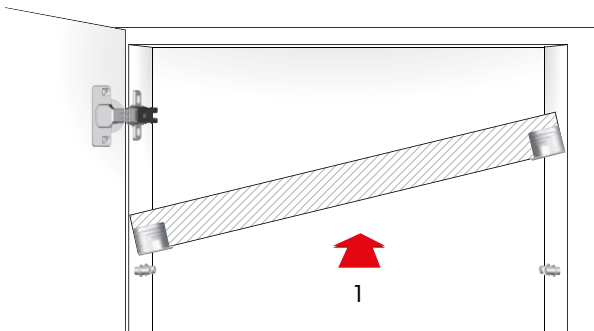


Assembling with threaded pin to achieve horizontal connection

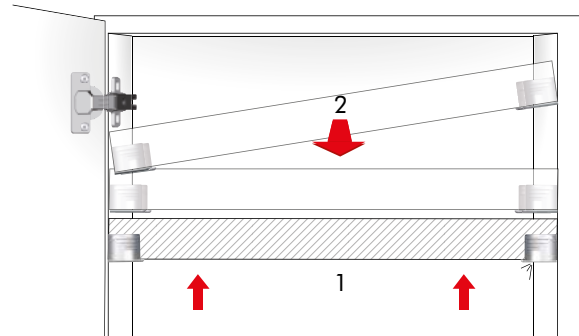
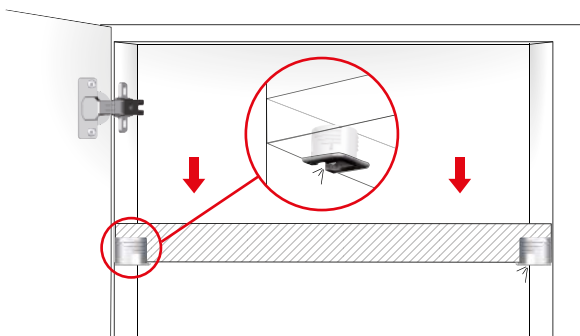


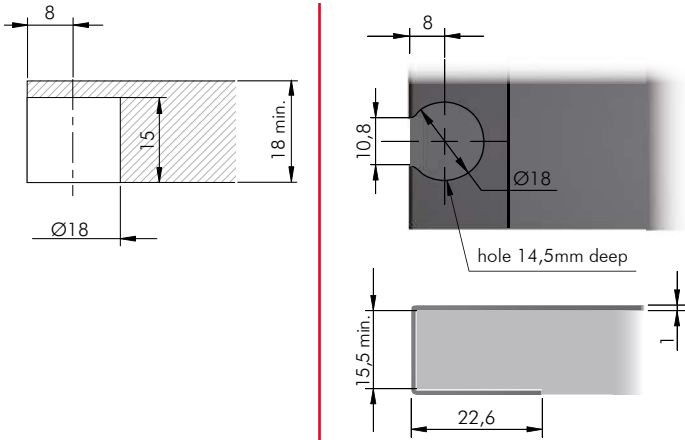
cross PZ2 screwdriver

SHELF INSTALLATION



SHELF REMOVAL FOR NEW REPOSITIONING





= 18 mm min.

EP

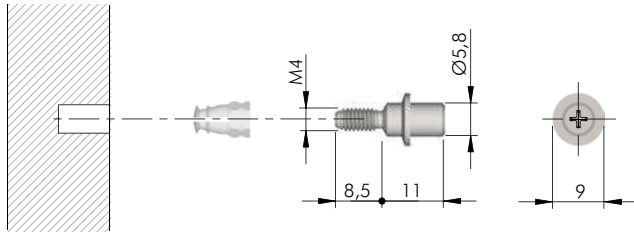
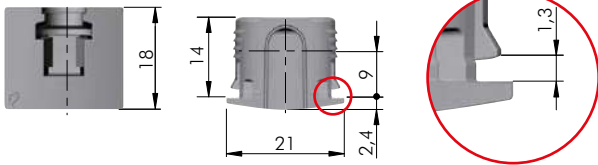
= 5000 pcs.



10601040IL



ZZ



= M4

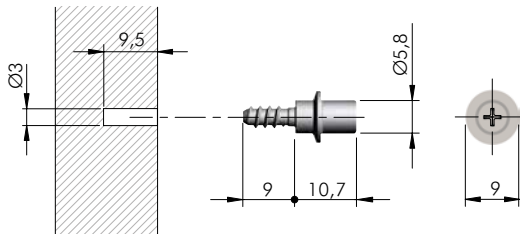
= PZ2

ST

= 4000 pcs.



10602010ZN



= Ø 3 mm

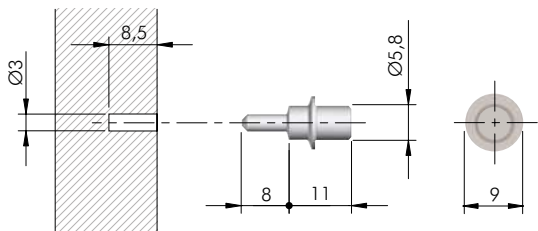
= PZ2

ST

= 2500 pcs.



10603031ZN



= Ø 3 mm

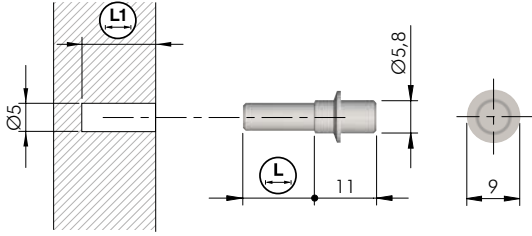
ST

= 5000 pcs.



10605030ZN





= Ø 5 mm

ST

= 2500 pcs.



10605020ZN



12,5

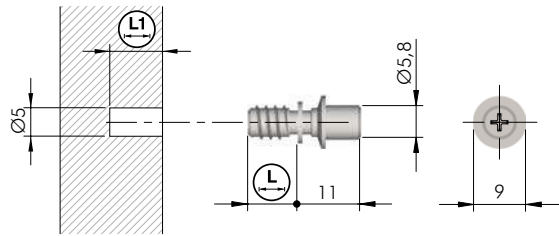


13

10605010ZN

8,5

9



= Ø 5 mm

= PZ2

ST



10604020ZN



7,5



8



5000

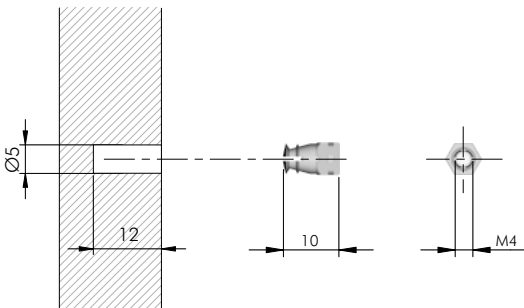
10604010ZN

8,8

9,3

2500

FLIPPER-BI FIXING ACCESSORY



= Ø 5 mm

= M4

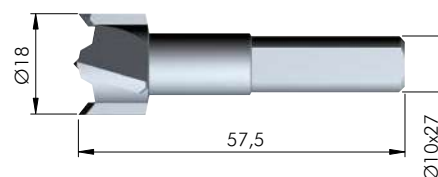
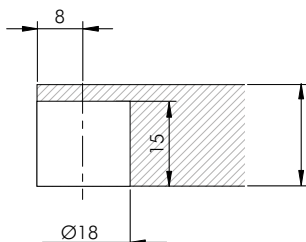
BR

= 10.000 pcs.



20502021HL

DRILL BIT FOR FLIPPER-BI



HSS

= on request



1145201000

(R)



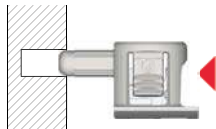
UNICO



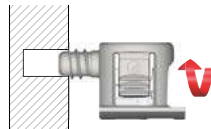
15 mm min.

Certificates available on request.

Assembling with smooth pin



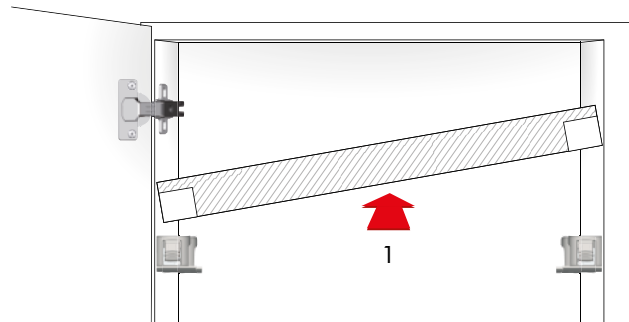
Assembling with threaded pin to achieve horizontal connection



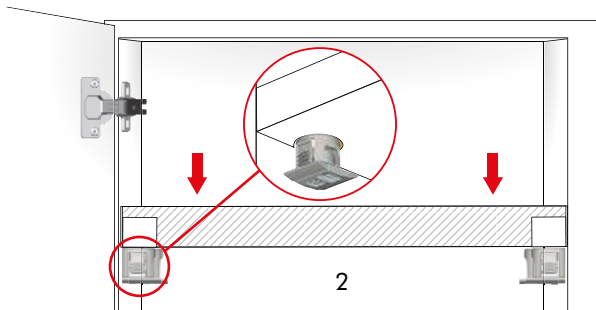
Unico is supplied with the sliding clip already in the forward position ready for installation

click

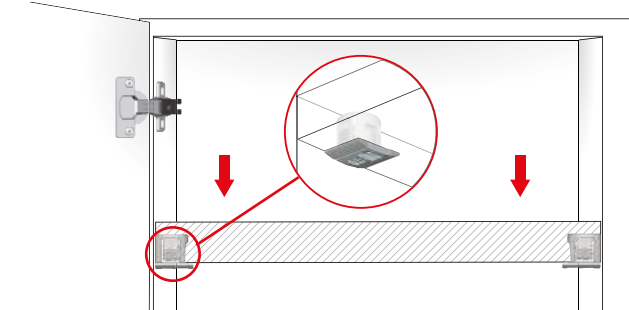
SHELF INSTALLATION



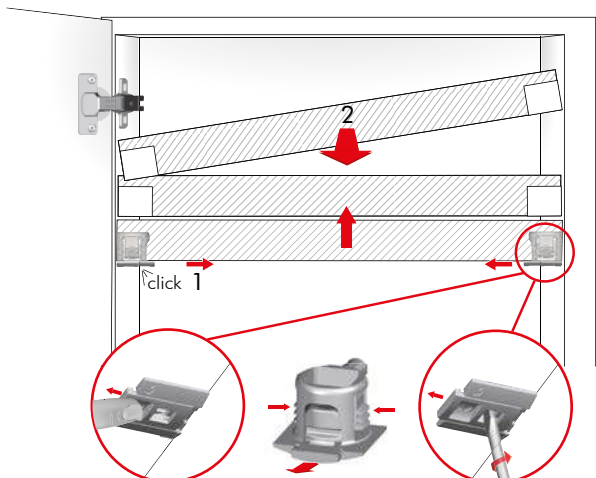
1



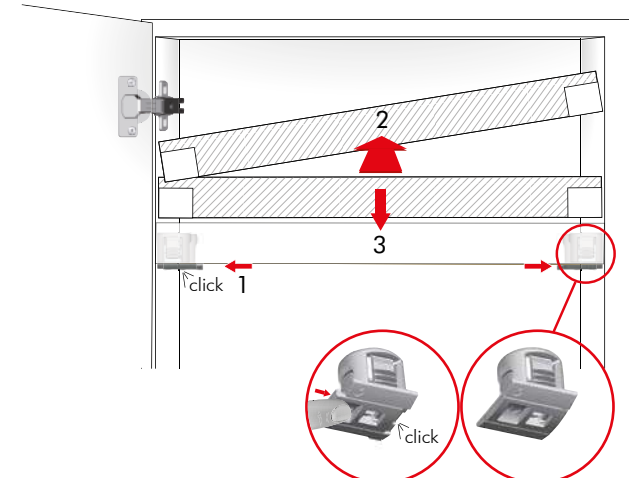
2



SHELF REMOVAL FOR NEW REPOSITIONING



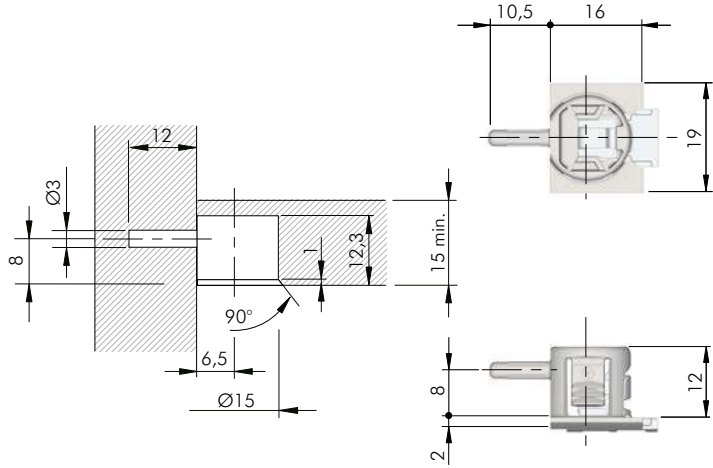
Shelf release through fingernail socket



Shelf release through screwdriver blade socket

SHELF SUPPORTS

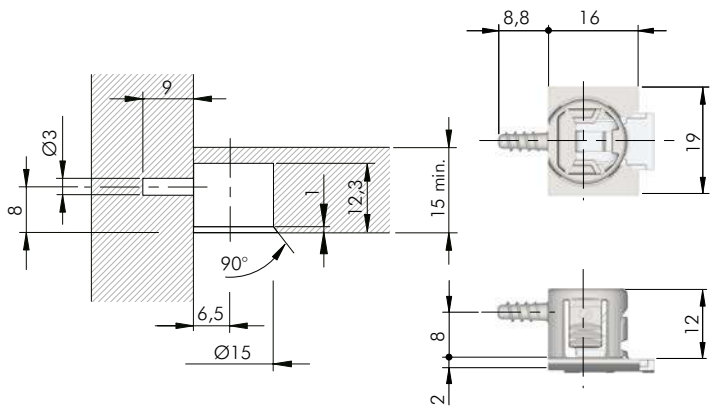
1



= Ø 3 mm +

= 2500 pcs.

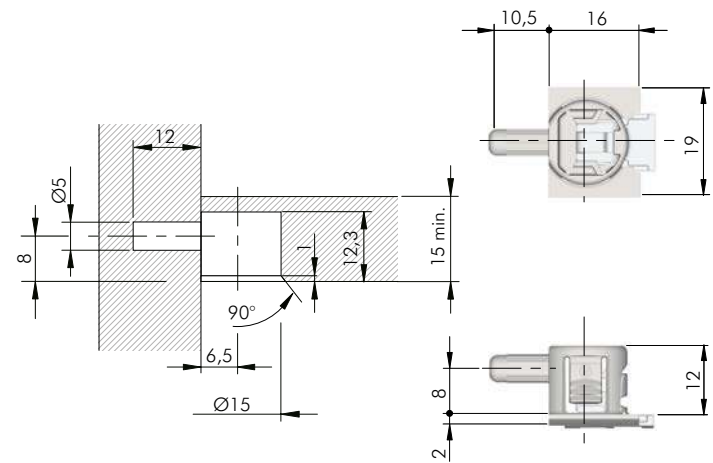
10703010YA



= Ø 3 mm +

= 2500 pcs.

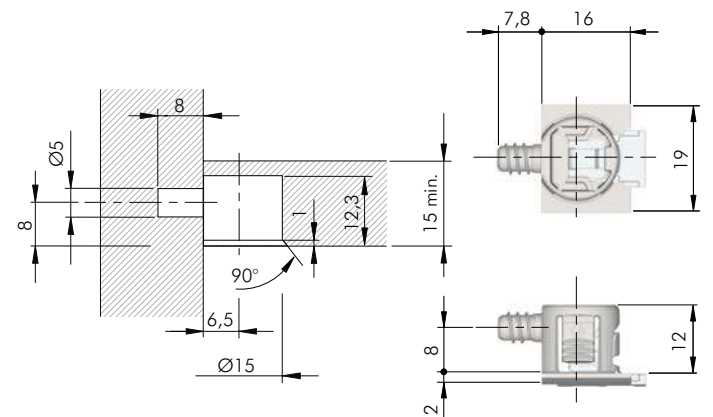
10704010YA



= Ø 5 mm +

= 2500 pcs.

10701010YA



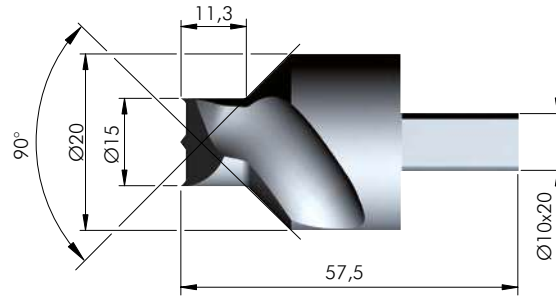
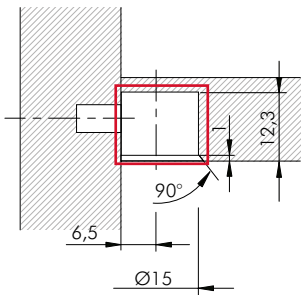
= Ø 5 mm +

= 2500 pcs.

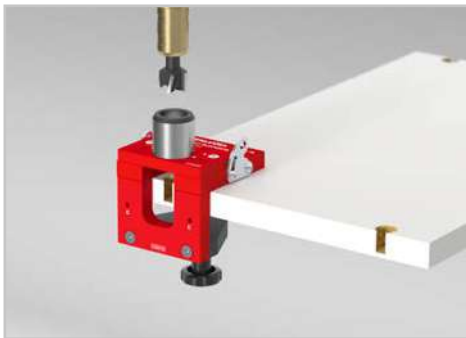
10702010YA



DRILL BIT FOR UNICO



HSS	= on request
123	
1075201000	(R)
1075204000	(L)



All the information about drilling jigs are available at the end of the chapter "Shelf Supports".

MAORI - Flush installation



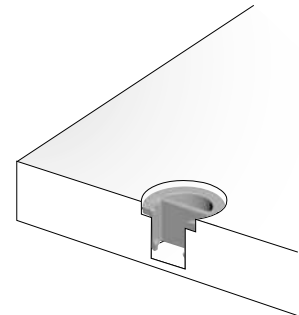
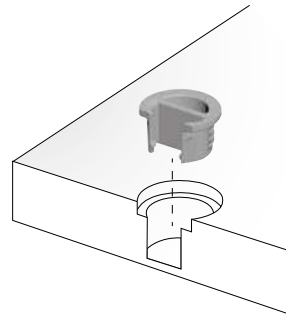
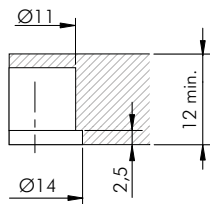
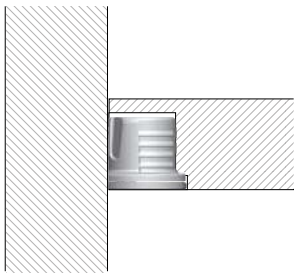
12 mm min.



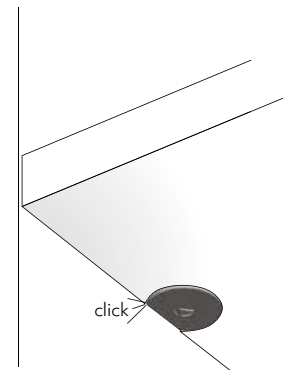
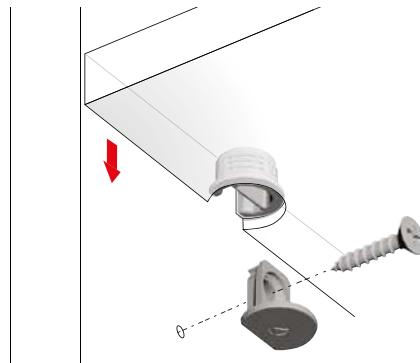
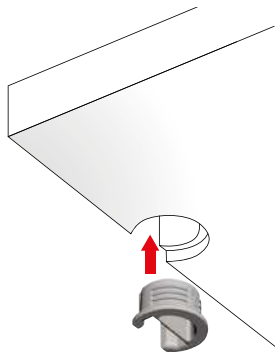
Certificates available on request.



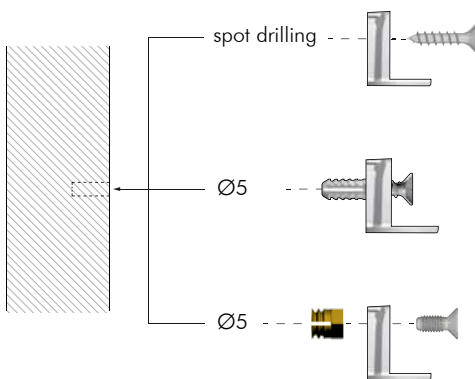
SPECIFICATIONS



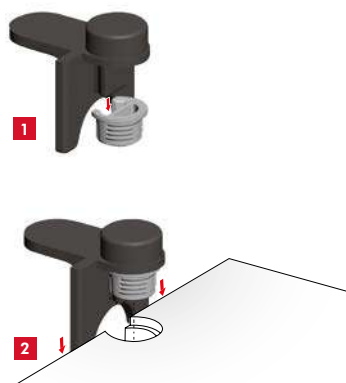
INSTALLATION AND ASSEMBLING



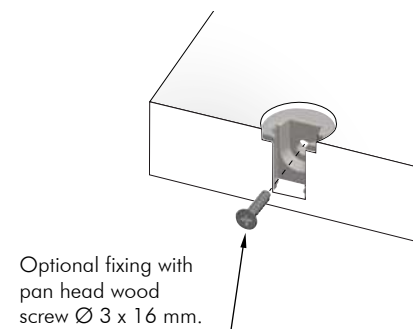
FIXING OPTIONS FOR SIDE PANEL BRACKET



TEMPLATE (for assembling see the related section)



OPTIONAL FIXING (12mm thick version excluded): To achieve much more horizontal connection.



Optional fixing with pan head wood screw Ø 3 x 16 mm.

[Back to table of contents](#)



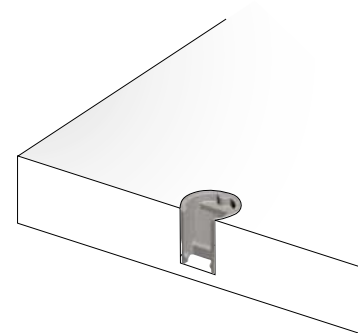
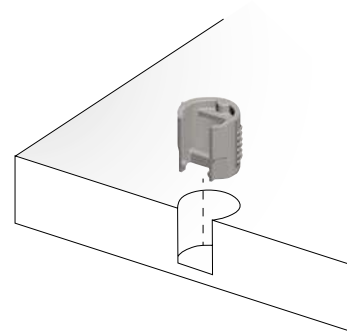
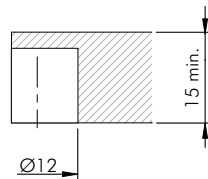
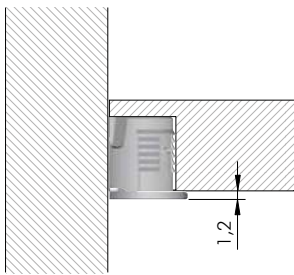
MAORI - Step installation



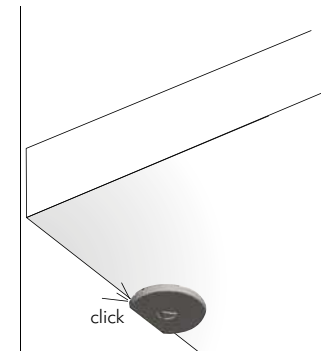
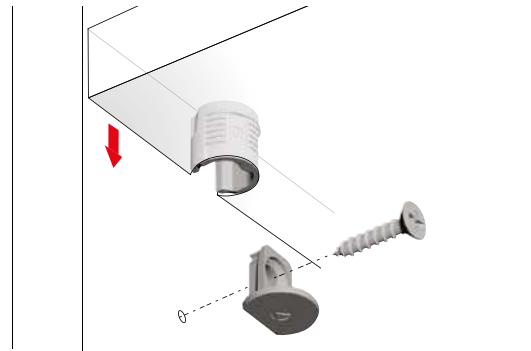
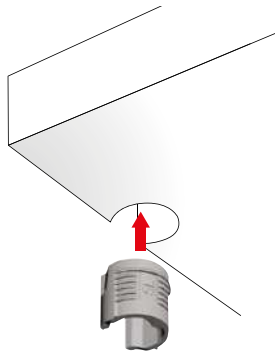
15 mm min.

Certificates available on request.

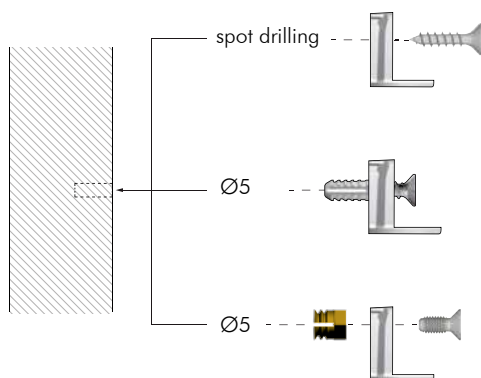
SPECIFICATIONS



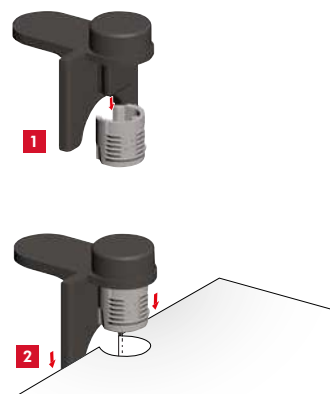
INSTALLATION AND ASSEMBLING



FIXING OPTIONS FOR SIDE PANEL BRACKET

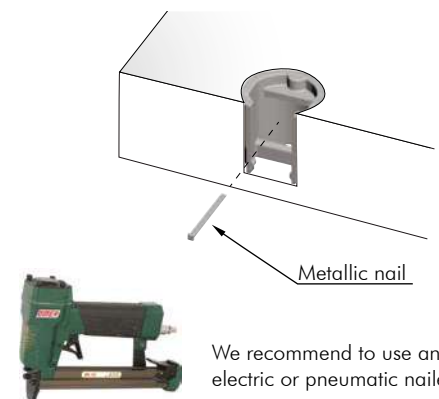


TEMPLATE (for assembling see the related section)



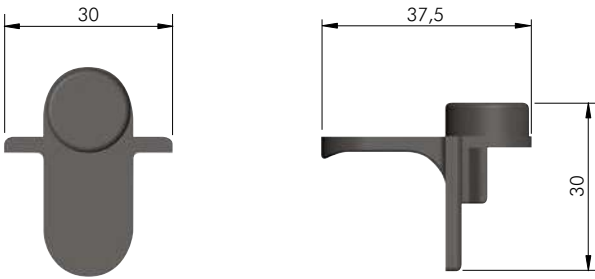
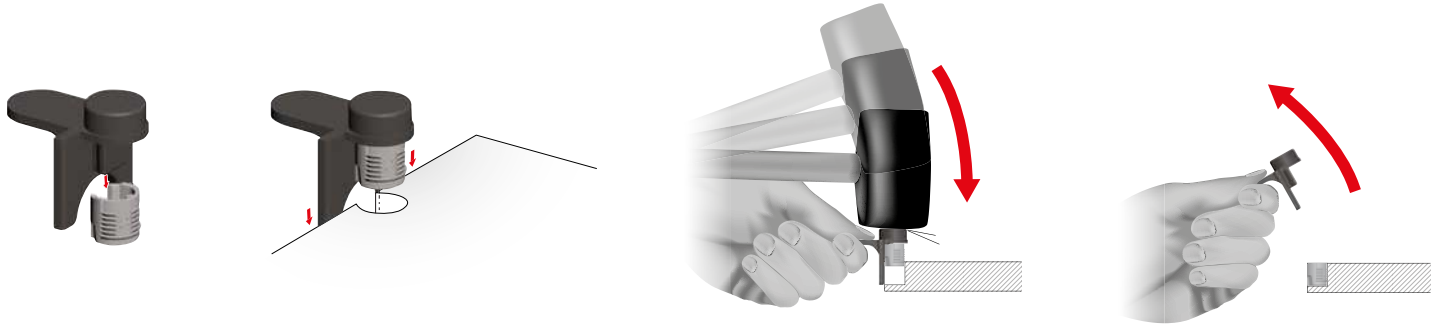
OPTIONAL FIXING WITH NAILER:

To achieve much more horizontal connection.



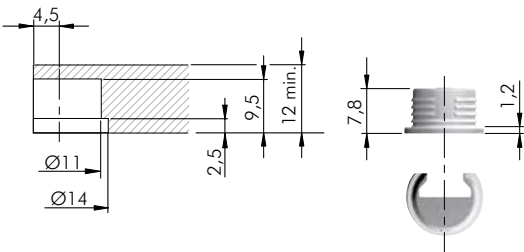
We recommend to use an electric or pneumatic nailer.

MAORI TEMPLATE

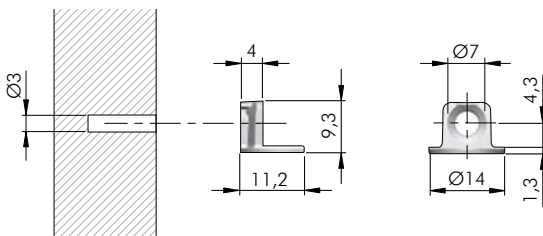


EPb	= on request
123	
1175209000	

MAORI 12 mm

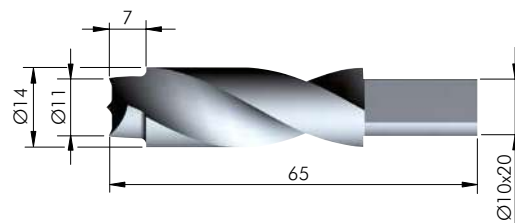
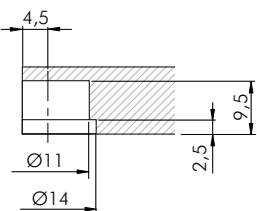


EP	= 30.000 pcs.
123	
11701010IL	



= Ø 3 mm	
ZA	= 5000 pcs.
123	
11702010YA	

DRILL BIT FOR MAORI 12 mm

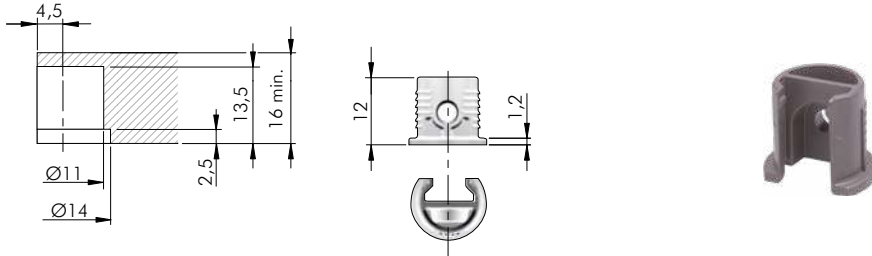





HSS	= on request
123	
1175201000	
1175205000	



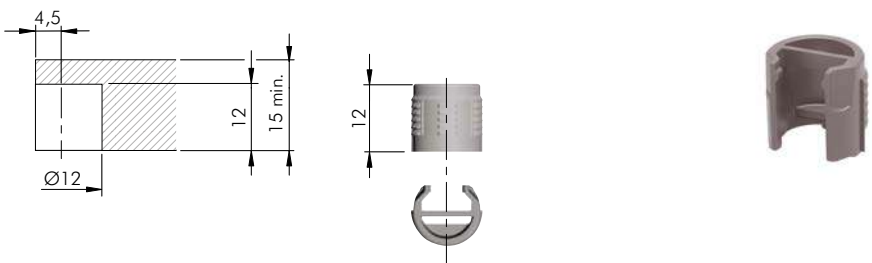
MAORI 15-16 mm




FLUSH INSTALLATION

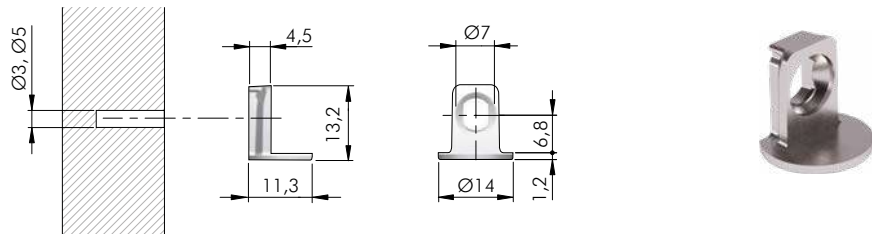







EP	 = 20.000 pcs.
 123	
11701040IL	

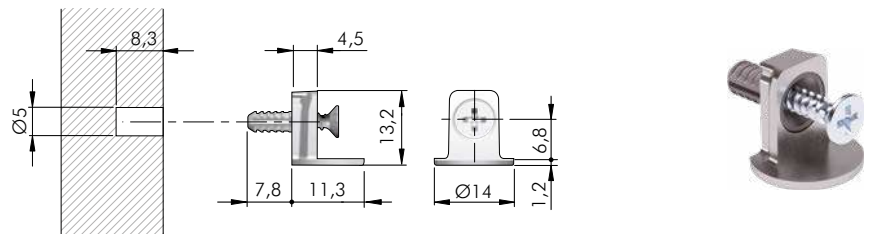
STEP INSTALLATION










EP	 = 20.000 pcs.
 123	
11701140IL	

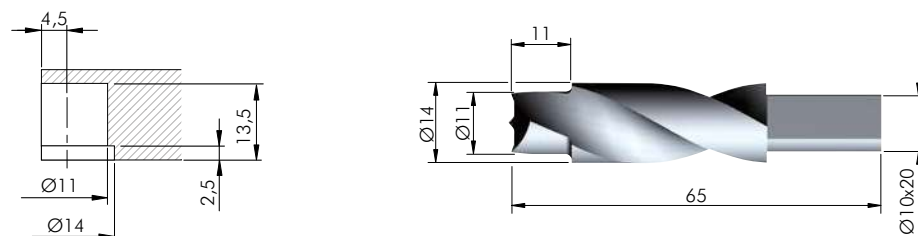





 = Ø 3, Ø 5 mm	
ZA	 = 5000 pcs.
 123	
11704010YA	



 = Ø 5 mm	
  = PZ2	
ZA ST EP	 = 2500 pcs.
 123	
11704030YA	

DRILL BIT FOR MAORI 16 mm - Flush installation

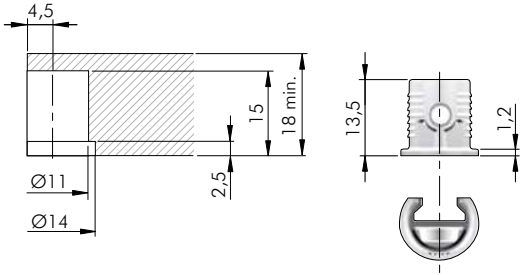


HSS	 = on request
 123	
1175202000	R
1175206000	L

SHELF SUPPORTS

MAORI 18 - 19 mm

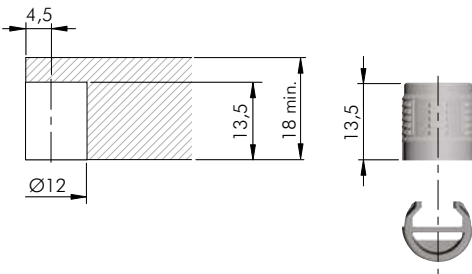
FLUSH INSTALLATION



EP  = 15.000 pcs.

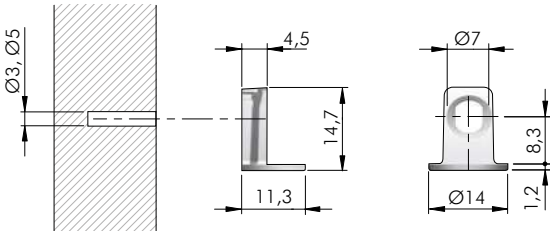
 
11701070IL




STEP INSTALLATION






EP  = 15.000 pcs.

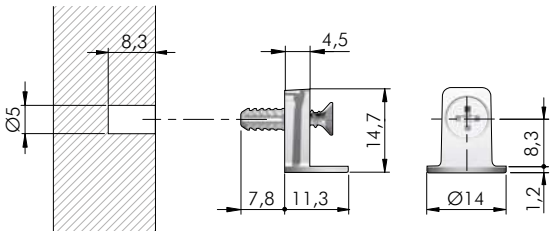
 
11701160IL








 = Ø 3, Ø 5 mm  


ZA  = 5000 pcs.



 
11710010YA



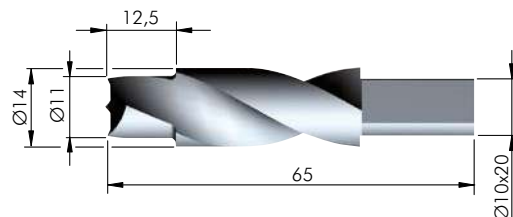
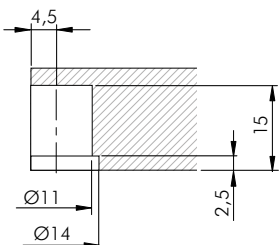
 = Ø 5 mm  


  = PZ2





ZA ST EP  = 2500 pcs.

 
11710030YA

DRILL BIT FOR MAORI 18 - 19 mm - Flush installation



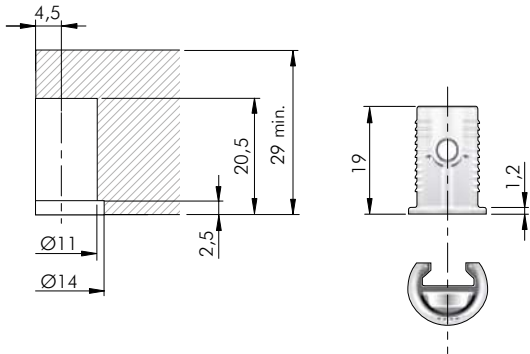
HSS  = on request




 
1175203000 
1175207000 



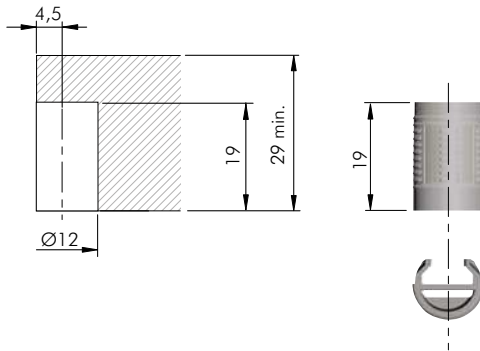
MAORI 25 / 29 mm




FLUSH INSTALLATION



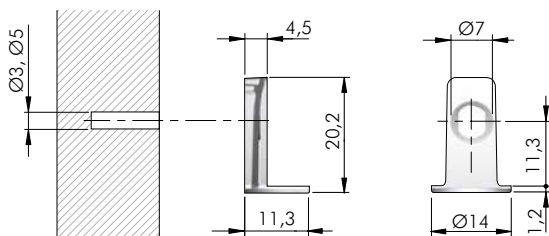
EP	 = 10.000 pcs.
 123	
11701100IL	






STEP INSTALLATION

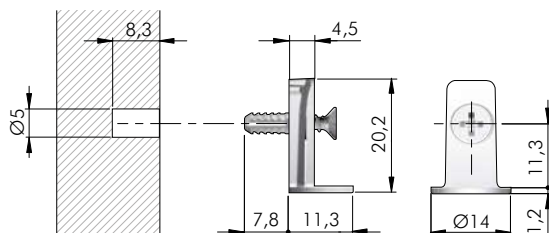








EP	 = 10.000 pcs.
 123	
11701180IL	

MAORI side brackets for 25 mm

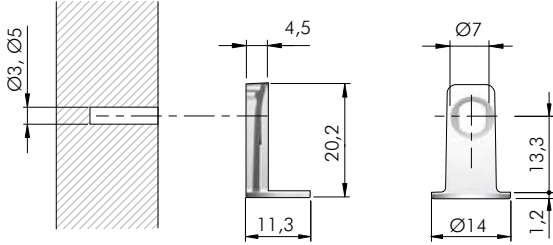







 = Ø 3, Ø 5 mm	
ZA	 = 2500 pcs.
 123	
11716010YA	

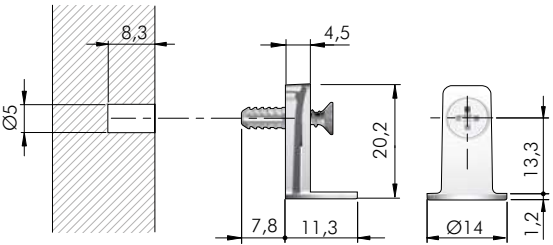









 = Ø 5 mm	
 = PZ2	
ZA ST EP	 = 2500 pcs.
 123	
11716030YA	

MAORI side brackets for 29 mm

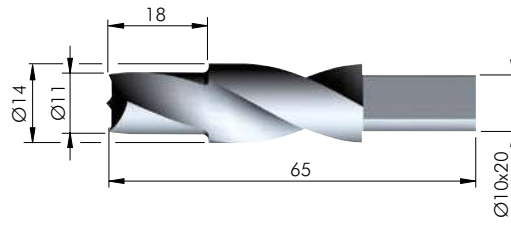
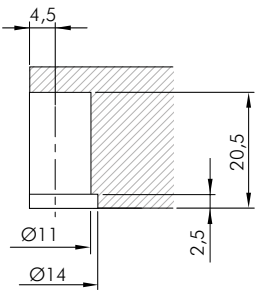







 = Ø 3, Ø 5 mm	+ 
ZA	 = 5000 pcs.
 123 	
11722010YA	



 = Ø 5 mm	+ 
  = PZ2	
ZA ST EP	 = 2000 pcs.
 123 	
11722030YA	

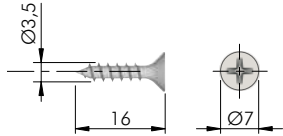
DRILL BIT FOR MAORI 25, 29 mm - Flush installation



HSS	 = on request
 123 	
1175204000	
1175208000	



MAORI FIXING ACCESSORIES

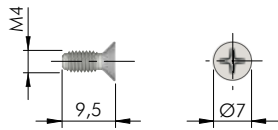


= Ø 3 mm +

= PZ2

= 10.000 pcs.

60101390ZN

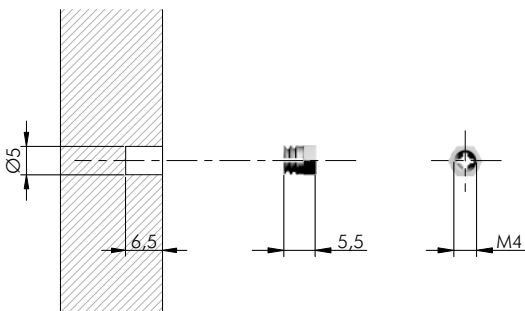


= PZ2 +

= M4

= 10.000 pcs.

11750010ZN



= Ø 5 mm

= M4

= 5000 pcs.

20502000HL

PK2



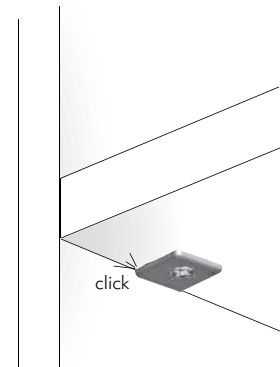
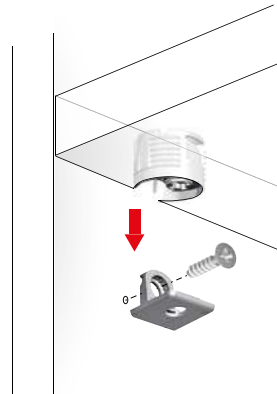
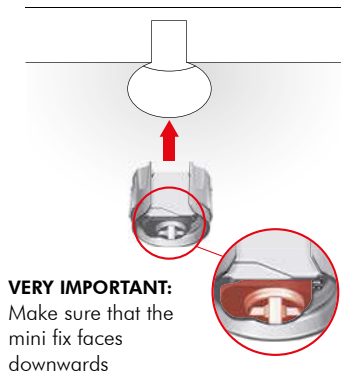
16 mm min.



Certificates available on request.

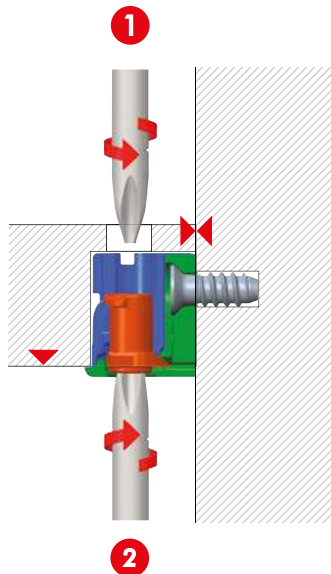
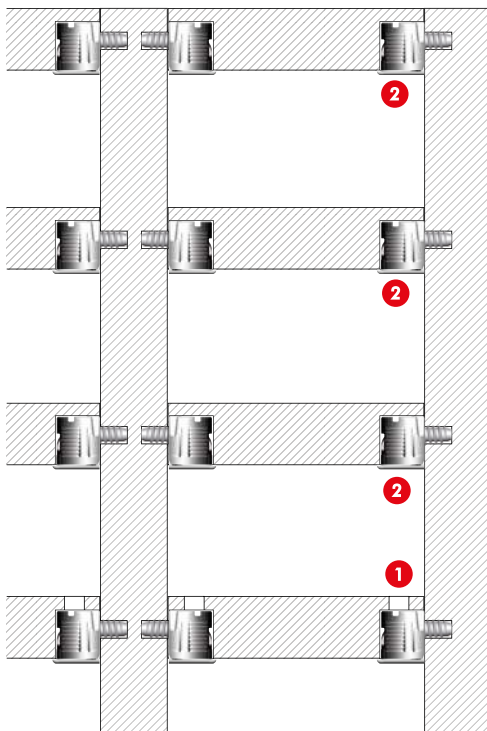


INSTALLATION AND ASSEMBLING



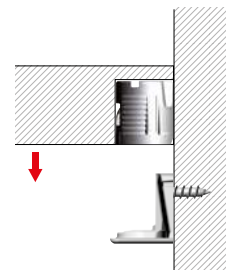
STRUCTURAL FASTENING WITH CROSS PZ2 SCREWDRIVER:

90° turning from the upper side, for the furniture floor.

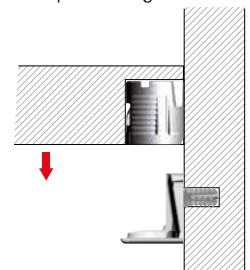


90° turning from the lower side, for the shelves and for the top.

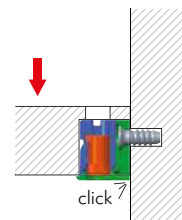
Assembling with alternative fixing options.



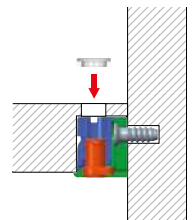
Assembling with pre-inserted spreading bush and screw to avoid hole damaging for shelf repositioning.



LOCKING DETAIL:

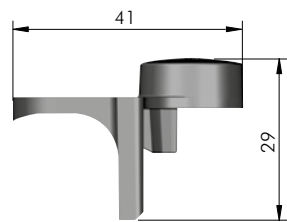
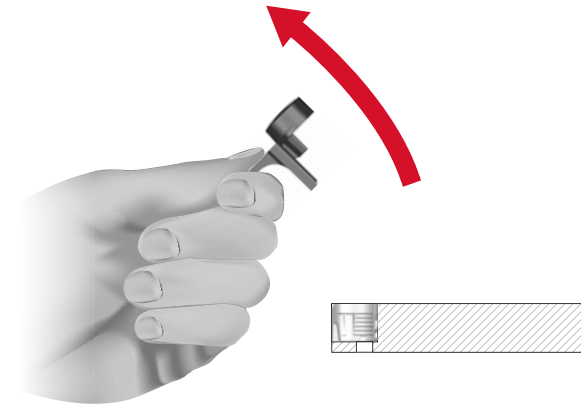
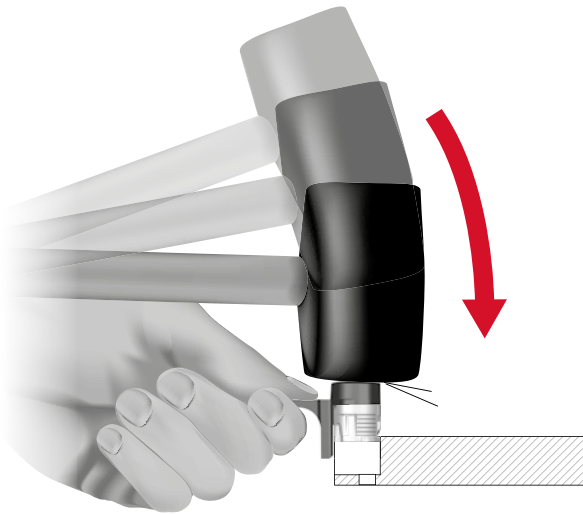
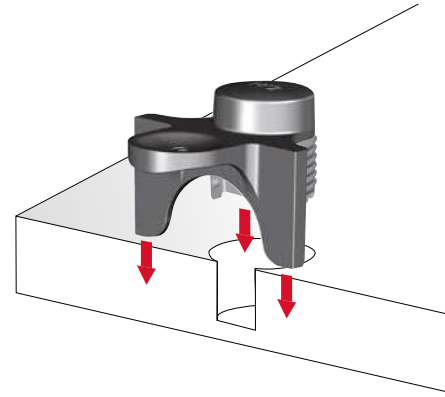


After turning the minifix.





PK2 TEMPLATE

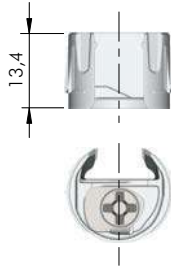
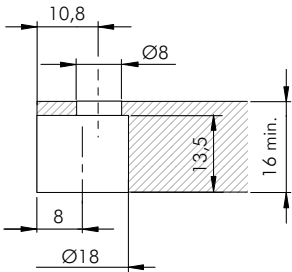



EPb	= on request
1145001000	

SHELF SUPPORTS

1

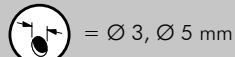
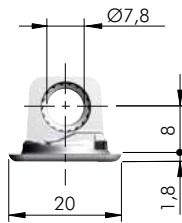
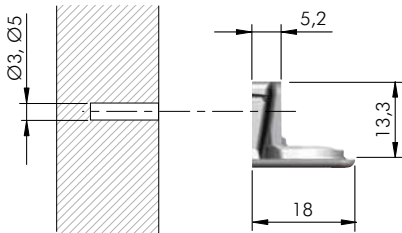
PK2 16 mm




 = 2500 pcs.



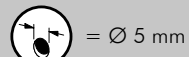
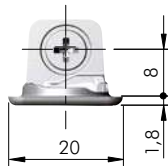
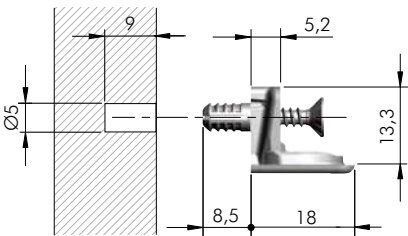
11401010IJ




 = 2500 pcs.



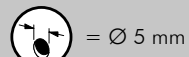
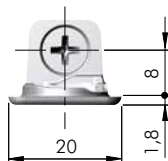
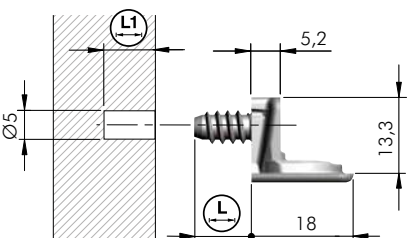
11402010YA




 = 2500 pcs.



11402020YA



 = 2500 pcs.



11402090YA



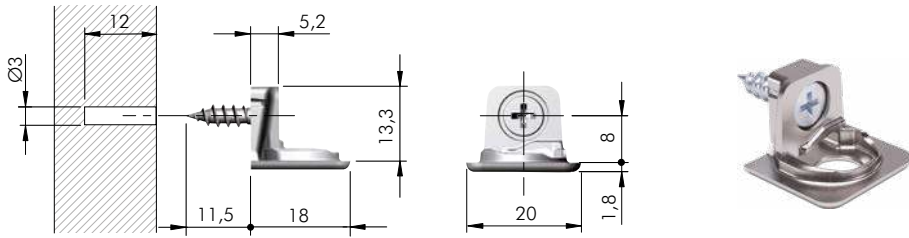
8,8

9,5

11402030YA

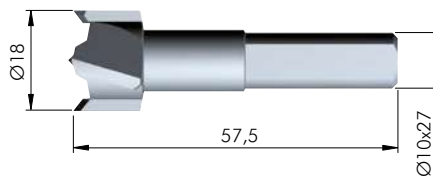
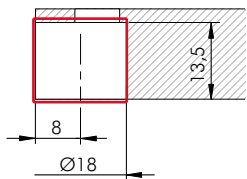
10

10,5

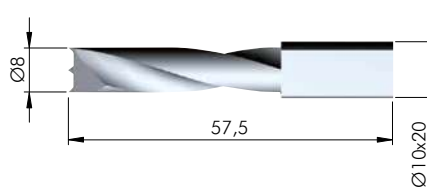
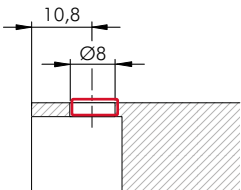


= Ø 3 mm	
= PZ2	
ZA ST	= 2500 pcs.
11402050YA	

DRILL BIT FOR PK2 16 mm

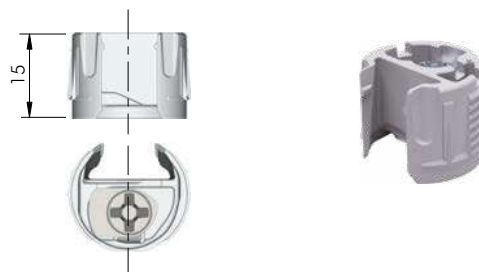
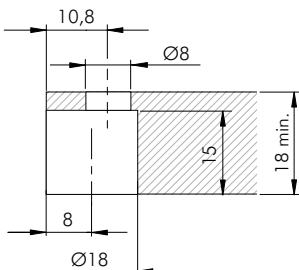


HSS	= on request
1145201000	R



HSS	= on request
1145202000	R

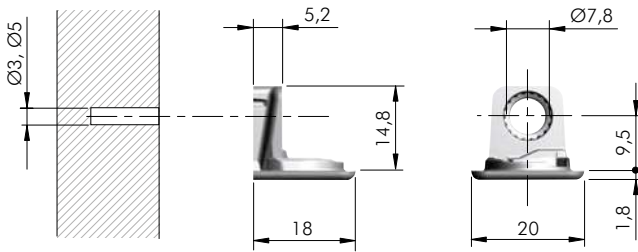
PK2 18 - 19 mm



= PZ2	
ZA EP	= 2500 pcs.
11401030IJ	

SHELF SUPPORTS

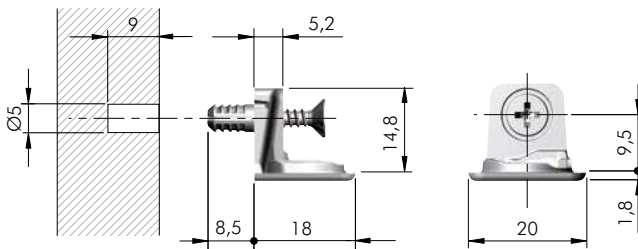
1



= Ø 3, Ø 5 mm +

= 2500 pcs.

11403010YA

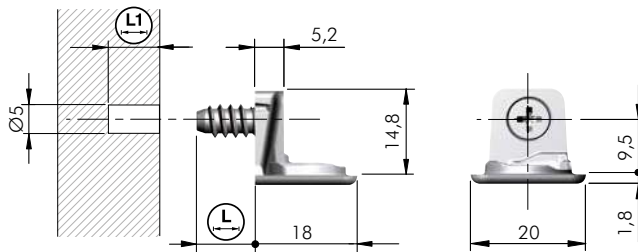


= Ø 5 mm +

= PZ2

= 2500 pcs.

11403020YA

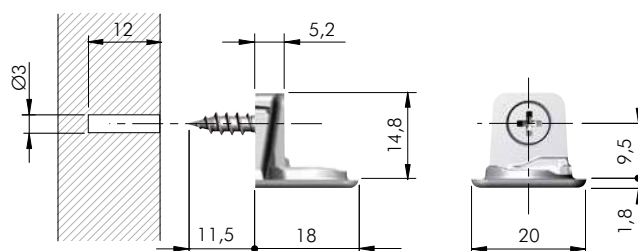


= Ø 5 mm +

= PZ2

= 2500 pcs.

11403100YA	8,8	9,5
11403030YA	10	10,5



= Ø 3 mm +

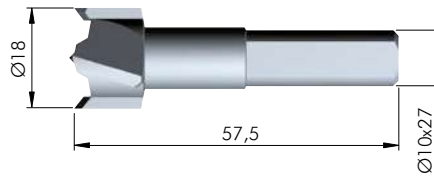
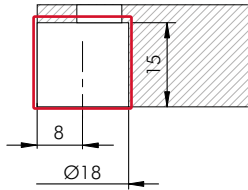
= PZ2




= 2500 pcs.

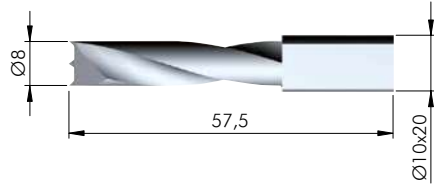
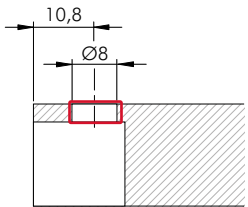
11403050YA






DRILL BIT FOR PK2 18 - 19 mm

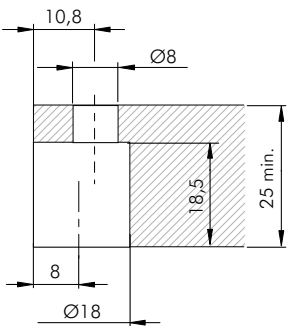






HSS	 = on request
 123	
1145201000	(R)

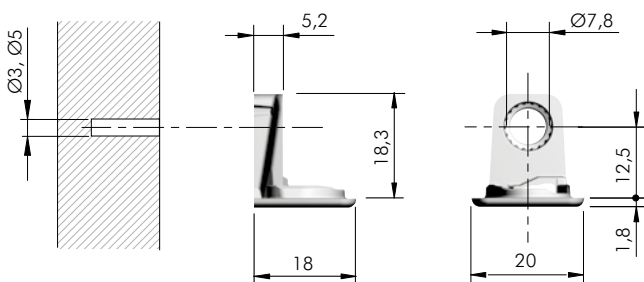







HSS	 = on request
 123	
1145202000	(R)

PK2 25 mm



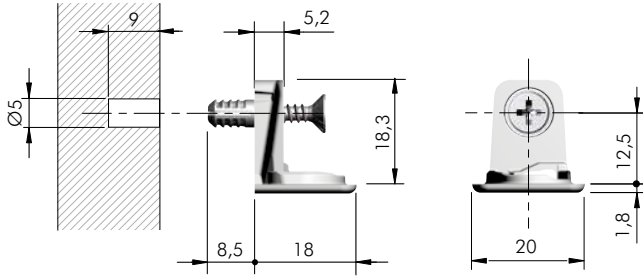
 = PZ2	 = 2000 pcs.
ZA EP	
 123	
11401050IJ	



 = Ø 3, Ø 5 mm	 +  = 2000 pcs.
ZA	
 123	
11404010YA	

SHELF SUPPORTS

1

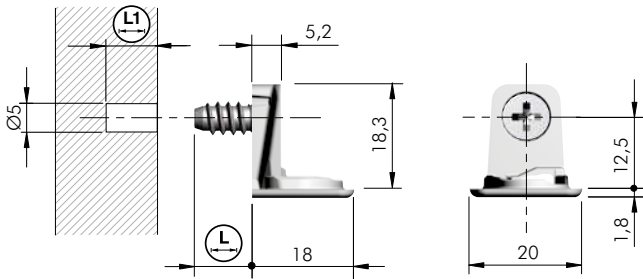


= Ø 5 mm +

= PZ2

ZA ST EP = 2000 pcs.

11404020YA

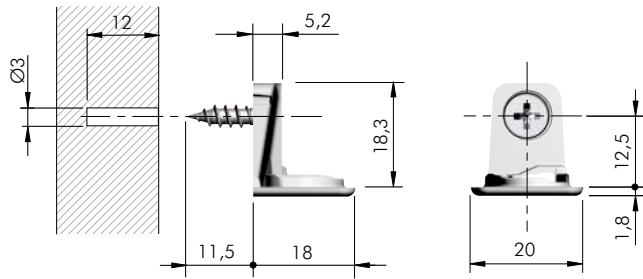


= Ø 5 mm +

= PZ2

ZA ST = 2000 pcs.

11404100YA		8,8	9,5
11404030YA		10	10,5



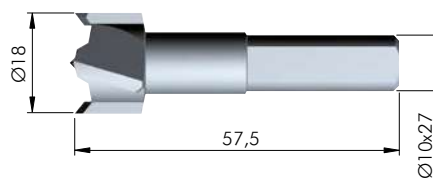
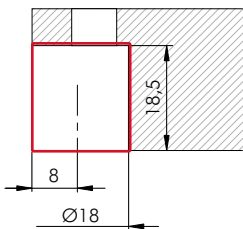
= Ø 3 mm +

= PZ2

ZA ST = 2000 pcs.

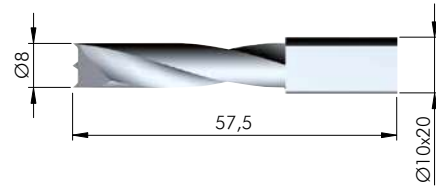
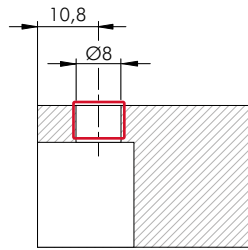
11404050YA

DRILL BIT FOR PK2 25 mm



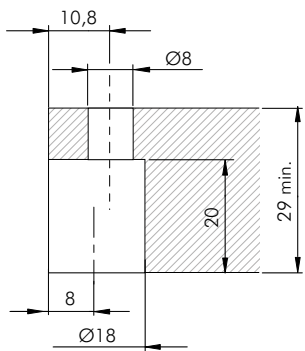
ST = on request

1145201000

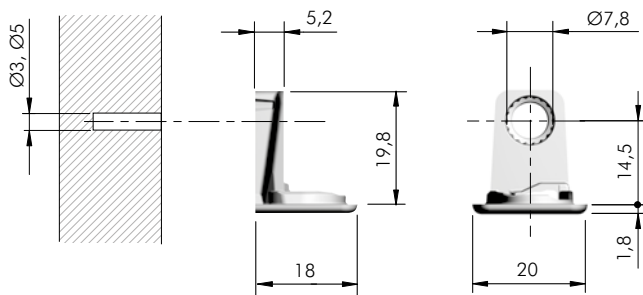


ST	= on request
123	
1145202000	R

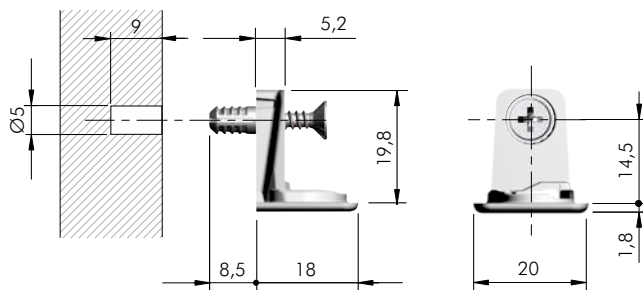
PK2 29 mm



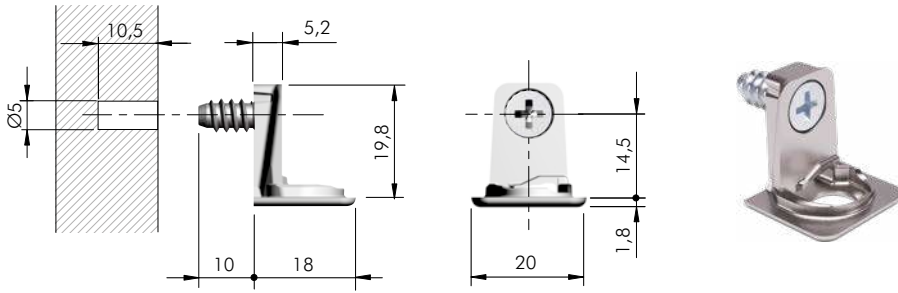
= PZ2	= 2000 pcs.
ZA EP	
123	
11401070IJ	



= Ø 3, Ø 5 mm	
ZA	= 2000 pcs.
123	
11405010YA	



= Ø 5 mm	
= PZ2	= 2000 pcs.
ZA ST EP	
123	
11405020YA	

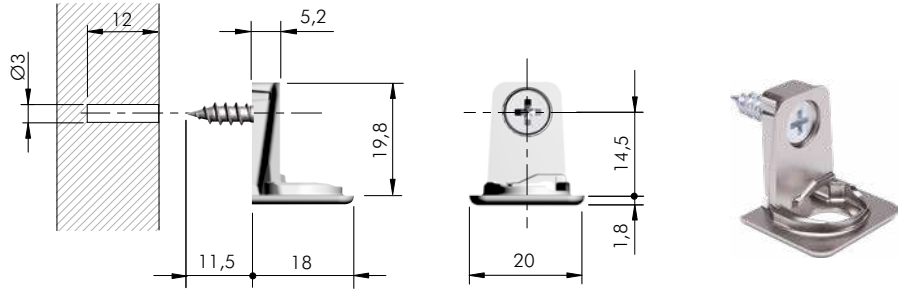


= Ø 5 mm +

= PZ2

= 2000 pcs.

11405030YA



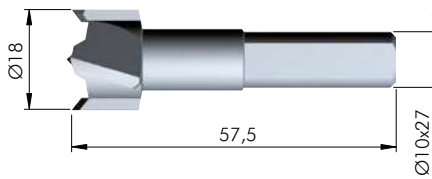
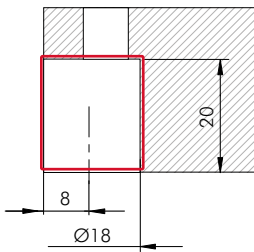
= Ø 3 mm +

= PZ2

= 2000 pcs.

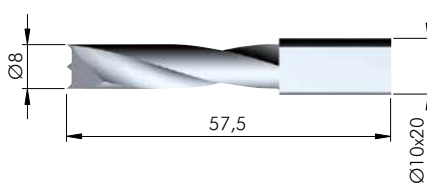
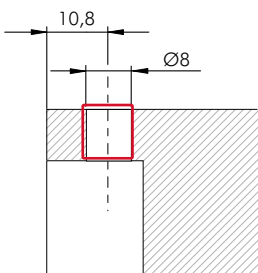
11405050YA

DRILL BIT FOR PK2 29 mm



= on request

1145201000

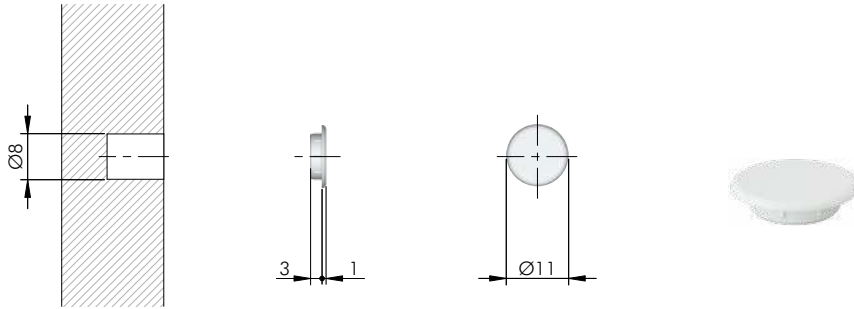


= on request

1145202000

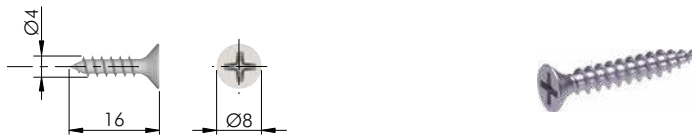


PK2 ACCESSORY

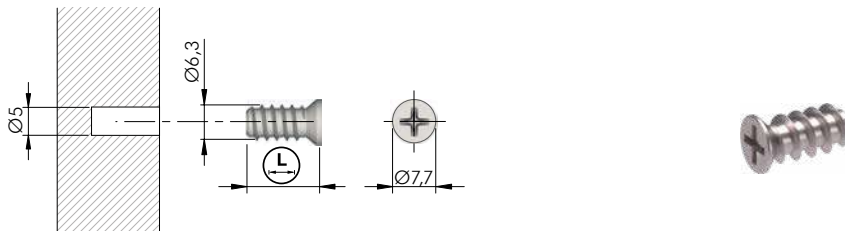


= Ø 8 mm	
EP	= 5000 pcs.
23002010AB	

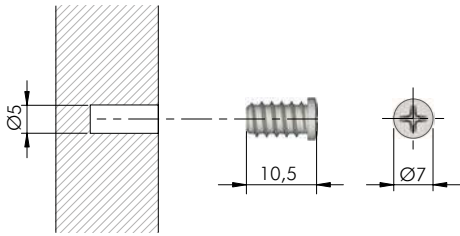
PK2 FIXING ACCESSORIES



= Ø 3 mm	
= PZ2	
ST	= 5000 pcs.
60101570ZN	



= Ø 5 mm	
= PZ2	
ST	= 5000 pcs.
60502010ZN	10
60501050YA	12,7
60502020ZN	13
60502030ZN	15

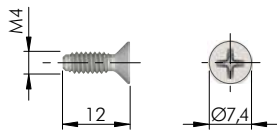


= Ø 5 mm +

= PZ2

= 5000 pcs.

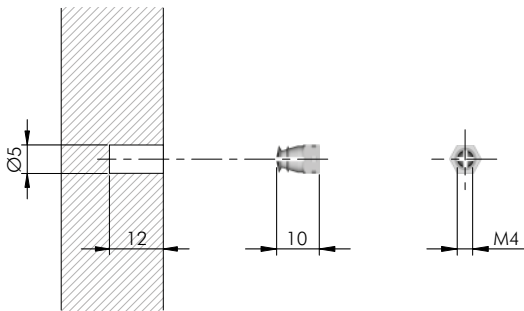
60507010YA



= M4 = PZ2

= on request

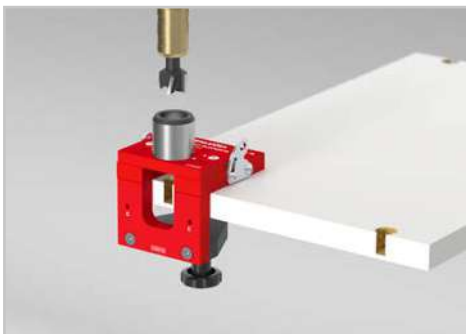
60305040ZN



= Ø 5 mm = M4

= 10.000 pcs.

20502021HL



All the information about drilling jigs are available at the end of the chapter "Shelf Supports".



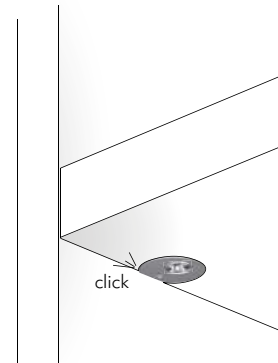
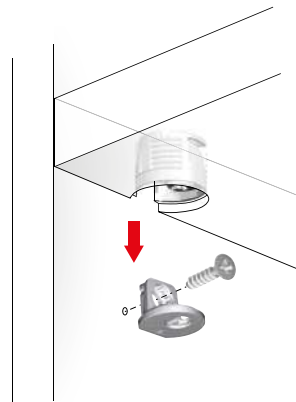
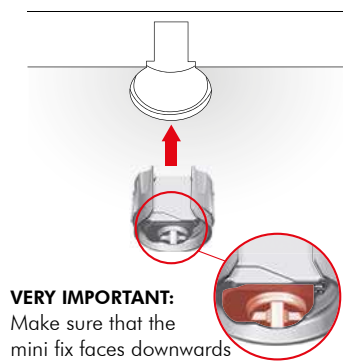
PK2 FOR 18 - 19 mm SHELF SIDE BRACKET ROUND LEDGE



18 - 19 mm min.

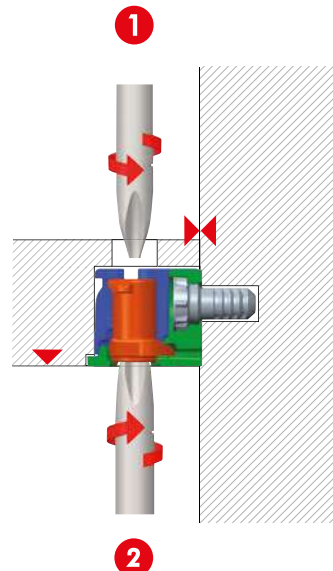
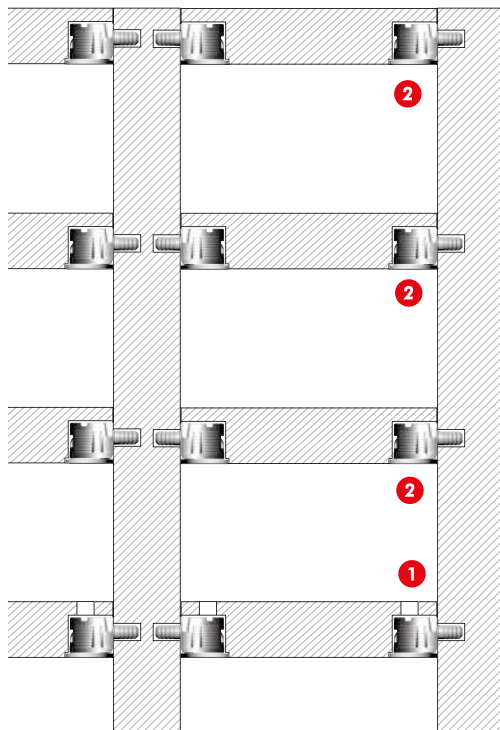


INSTALLATION AND ASSEMBLING



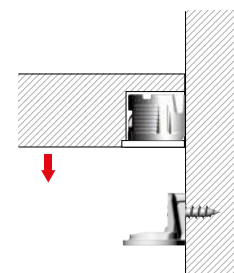
STRUCTURAL FASTENING WITH CROSS PZ2 SCREWDRIVER:

90° turning from the upper side, for the furniture floor.

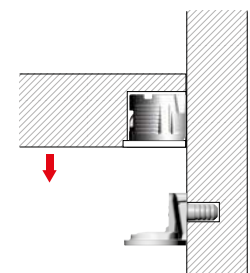


90° turning from the lower side, for the shelves and for the top.

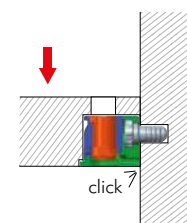
Assembling with alternative fixing options.



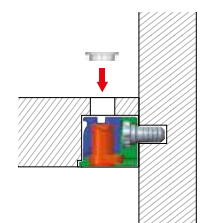
Assembling with pre-inserted spreading bush and screw to avoid hole damaging for shelf repositioning.



LOCKING DETAIL:

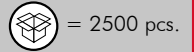
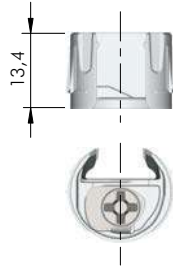
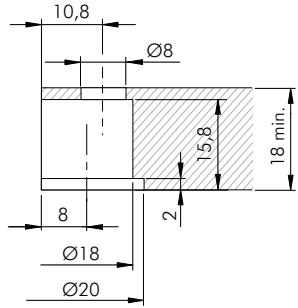


After turning the minifix.

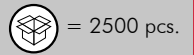
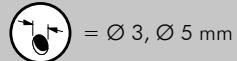
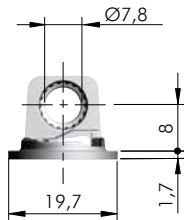
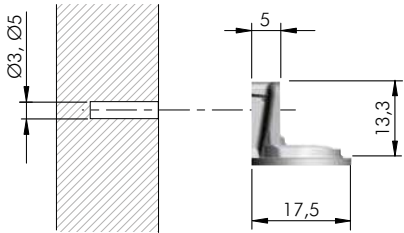


SHELF SUPPORTS

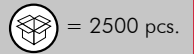
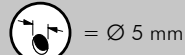
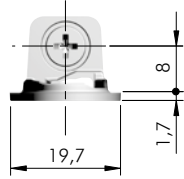
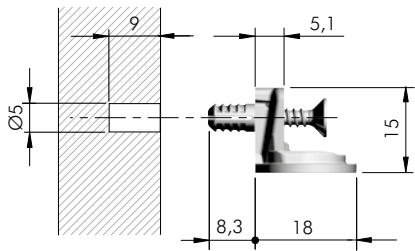
1



11401010IJ

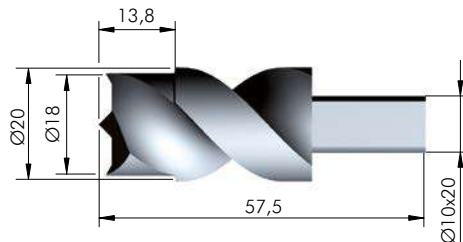
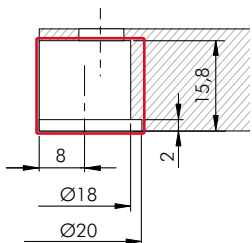


11402110YA

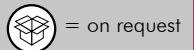


11402120YA

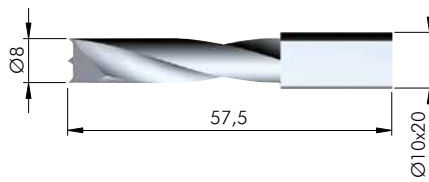
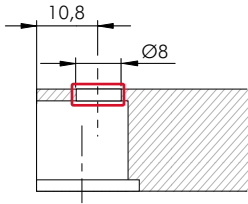
DRILL BIT FOR PK2 SIDE BRACKET ROUND LEDGE



HSS

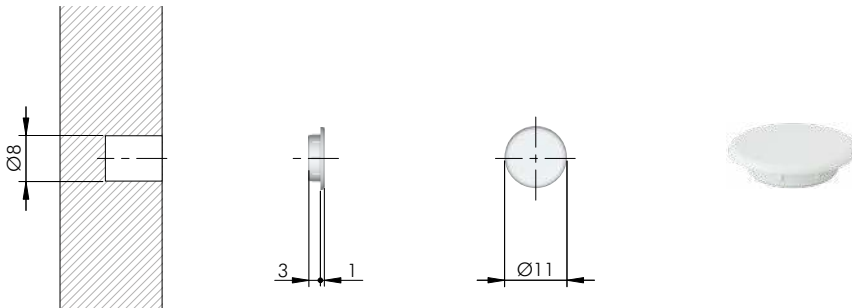


1145203000



HSS	= on request
123	
1145202000	(R)

PK2 SIDE BRACKET ROUND LEDGE ACCESSORY

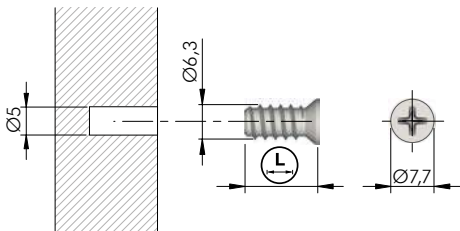


= Ø 8 mm	
EP	= 5000 pcs.
123	
23002010AB	

PK2 SIDE BRACKET ROUND LEDGE FIXING ACCESSORIES



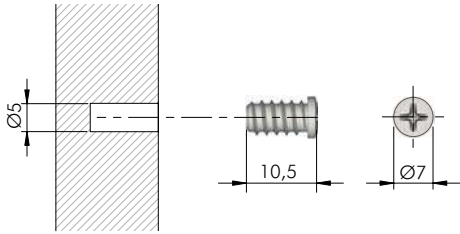
= Ø 3 mm	
= PZ2	
ST	= 5000 pcs.
123	
60101570ZN	



= Ø 5 mm	
= PZ2	
ST	= 5000 pcs.
123	
60502010ZN	10
60501050YA	12,7
60502020ZN	13
60502030ZN	15

SHELF SUPPORTS

1

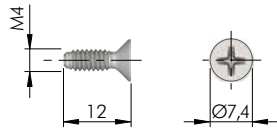


= Ø 5 mm +

= PZ2

= 5000 pcs.

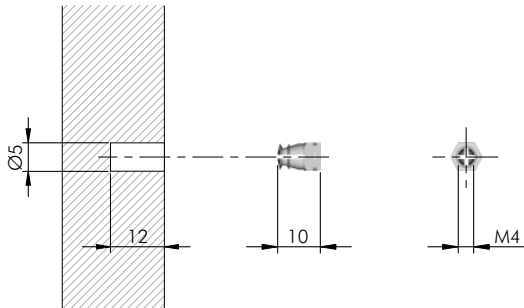
60507010YA



= M4 = PZ2

= on request

60305040ZN



= Ø 5 mm = M4

= 10.000 pcs.

20502021HL



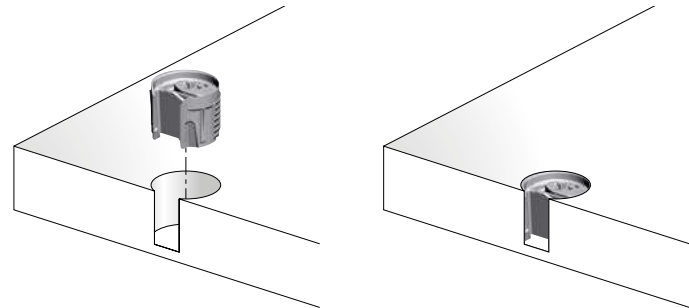
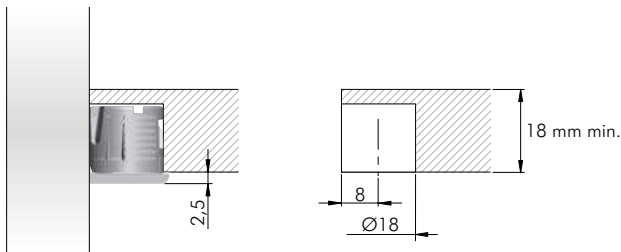
PK2 PRO



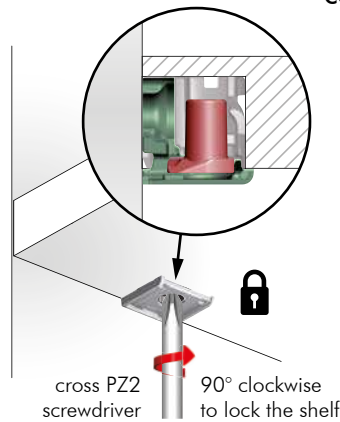
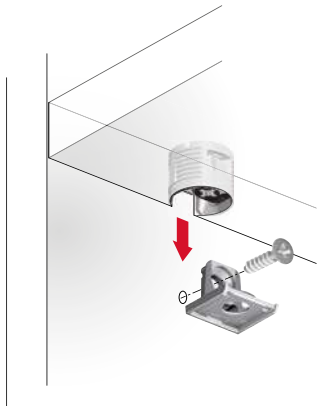
18 mm min.



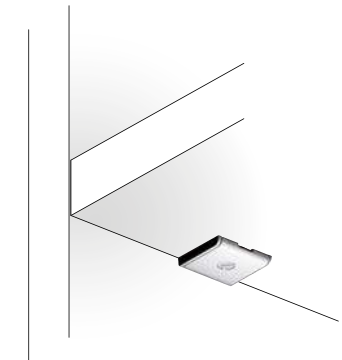
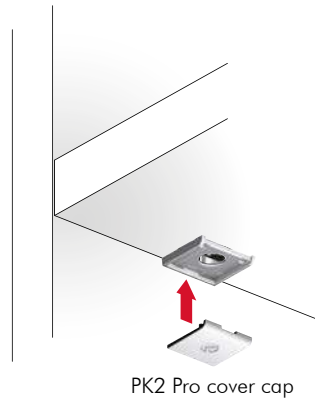
SPECIFICATIONS



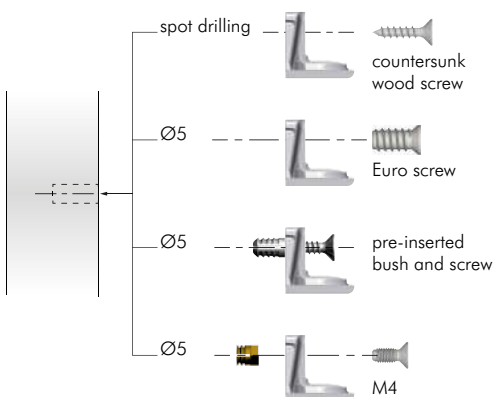
INSTALLATION AND ASSEMBLING



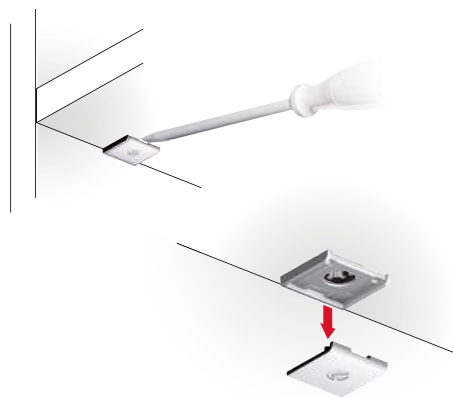
COVER CAP INSERTION



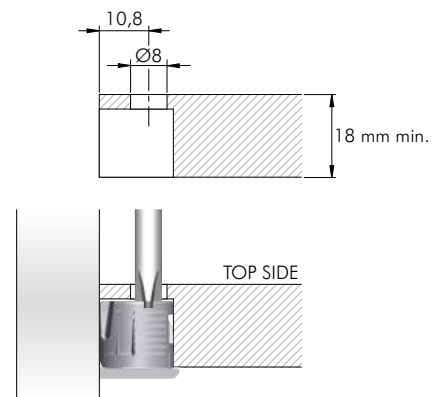
FIXING OPTIONS FOR SIDE PANEL BRACKET



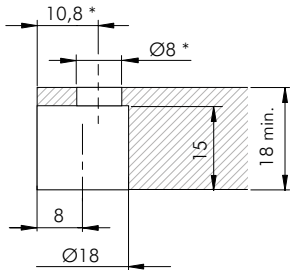
COVER CAP REMOVAL



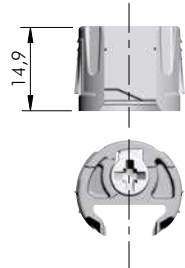
LOCKING FROM THE TOP SIDE (optional hole)




PK2 PRO 18 - 19 mm



* optional hole

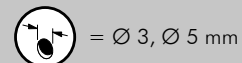
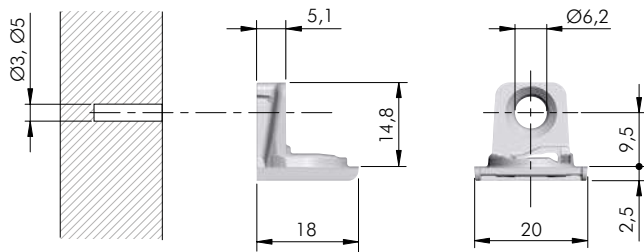


EP


 = 2500 pcs.



11411020IJ

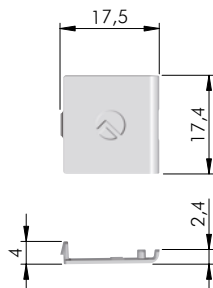


ZA

 = 2500 pcs.



11413030YA YQ



EP

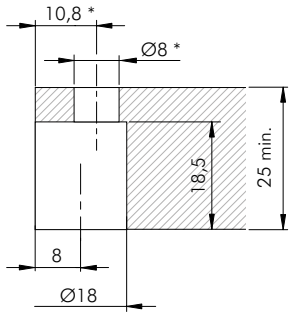
 = 2500 pcs.



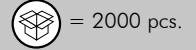
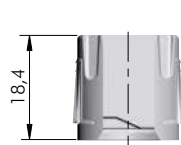
11448010EW EE



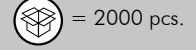
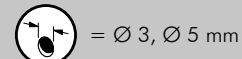
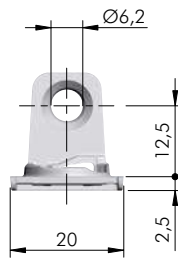
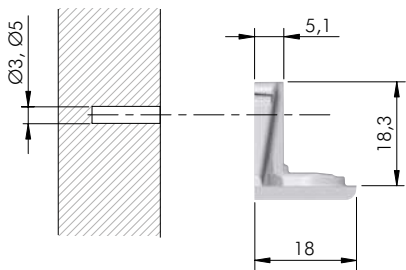
PK2 PRO 25 mm



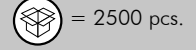
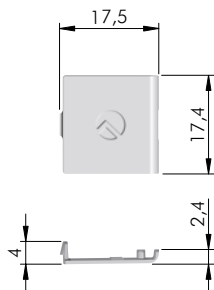
* optional hole



11411030IJ

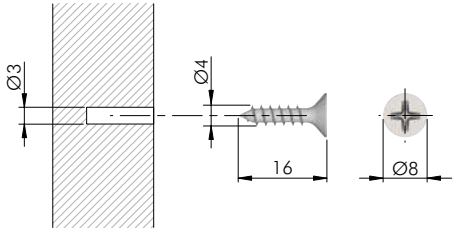


11414030YA YQ



11448010EW EE

PK2 PRO FIXING ACCESSORIES



= Ø 3 mm

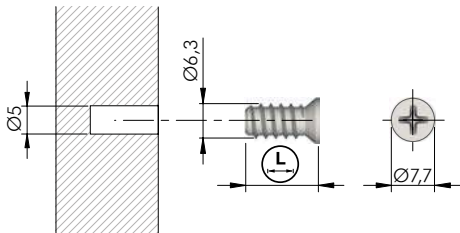
= PZ2

ST

= 5.000 pcs.



60101570ZN



= Ø 5 mm

= PZ2

ST

= 5000 pcs.



60502010ZN



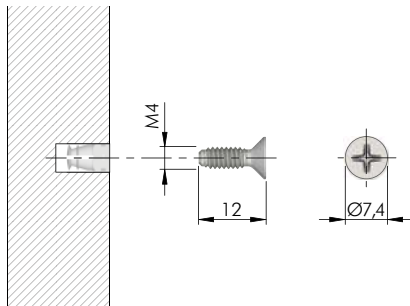
10

60502020ZN

13

60502030ZN

15



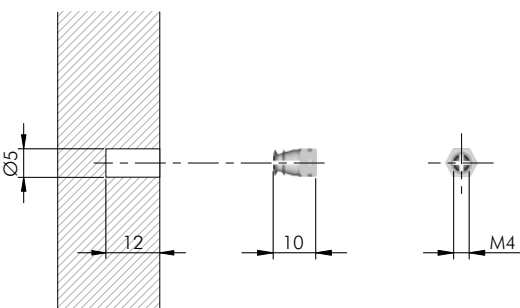
= M4 = PZ2

ST

= on request



60305040ZN



= Ø 5 mm = M4

BR

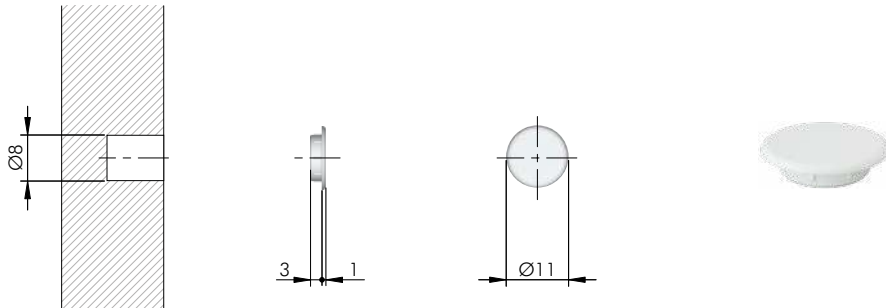
= 10.000 pcs.



20502021HL

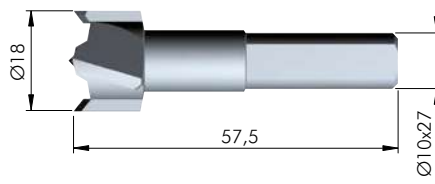
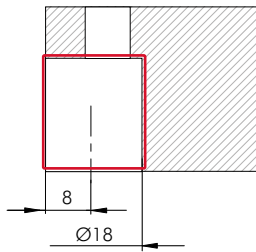


PK2 PRO ACCESSORY

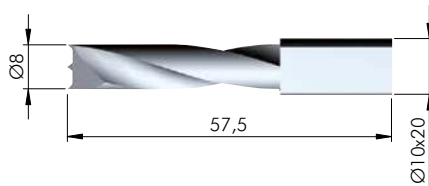
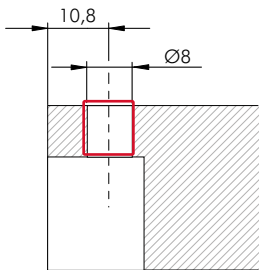


	= Ø 8 mm		
			= 5000 pcs.
23002010AB			

DRILL BITS FOR PK2 PRO



		= on request
1145201000		



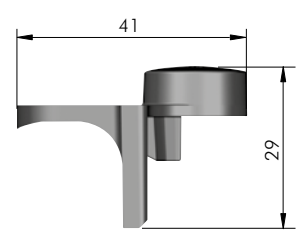
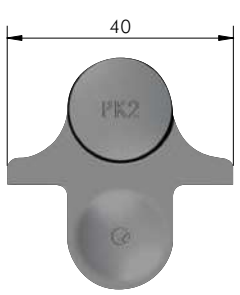
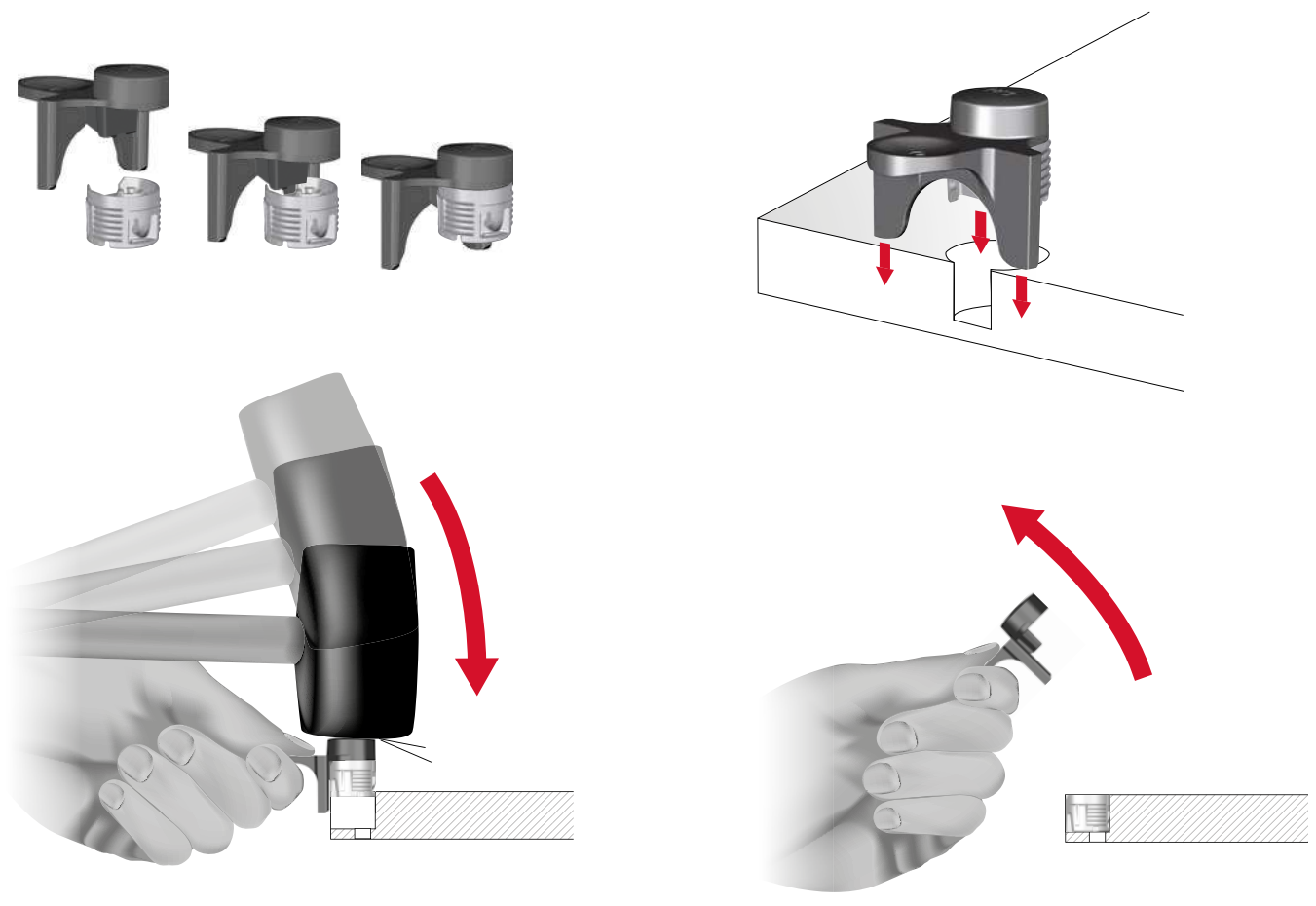
		= on request
1145202000		



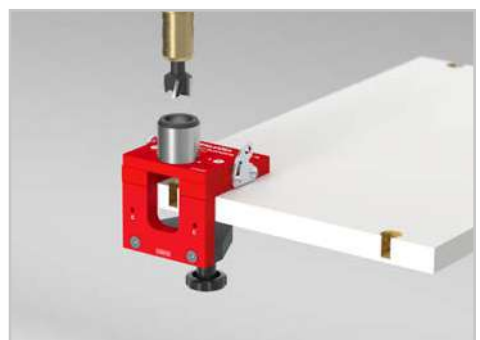
SHELF SUPPORTS

1

PK2 PRO TEMPLATE



EPb	= on request
1145001000	




All the information about drilling jigs are available at the end of the chapter "Shelf Supports".



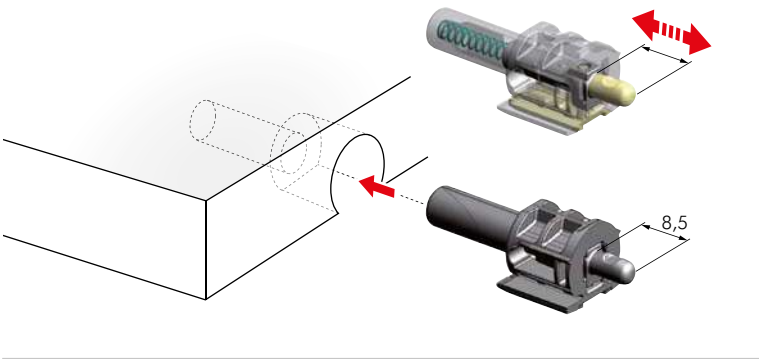
KINTAI



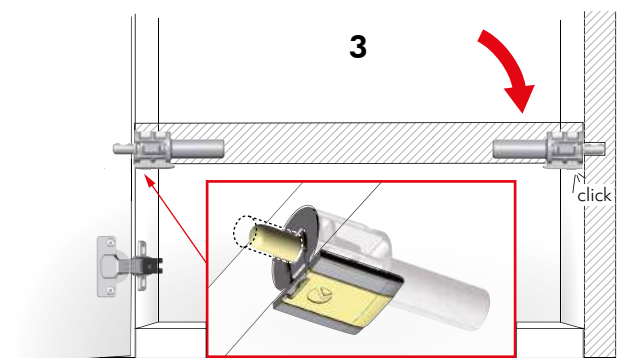
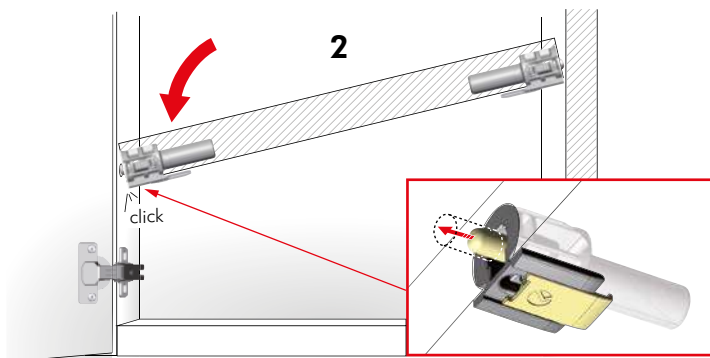
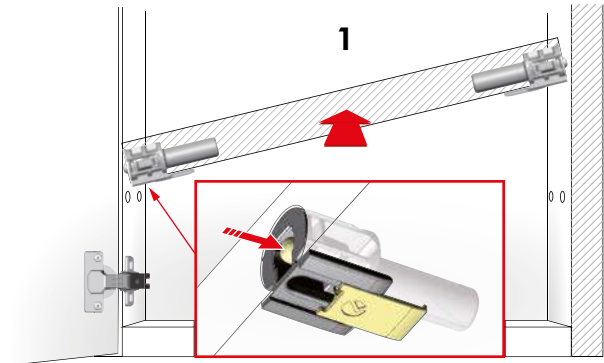
16 mm min. 

Certificates available on request. 

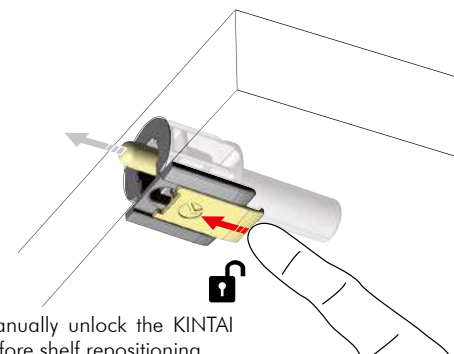
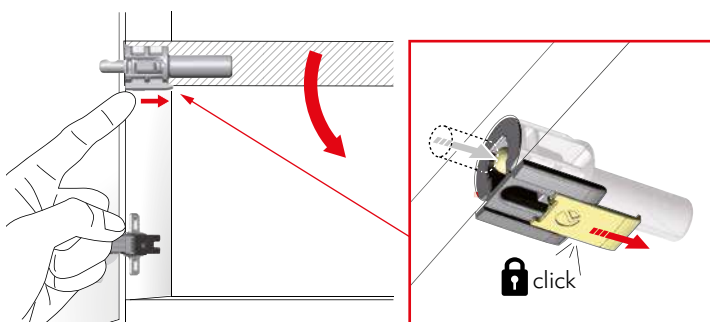
INSTALLATION



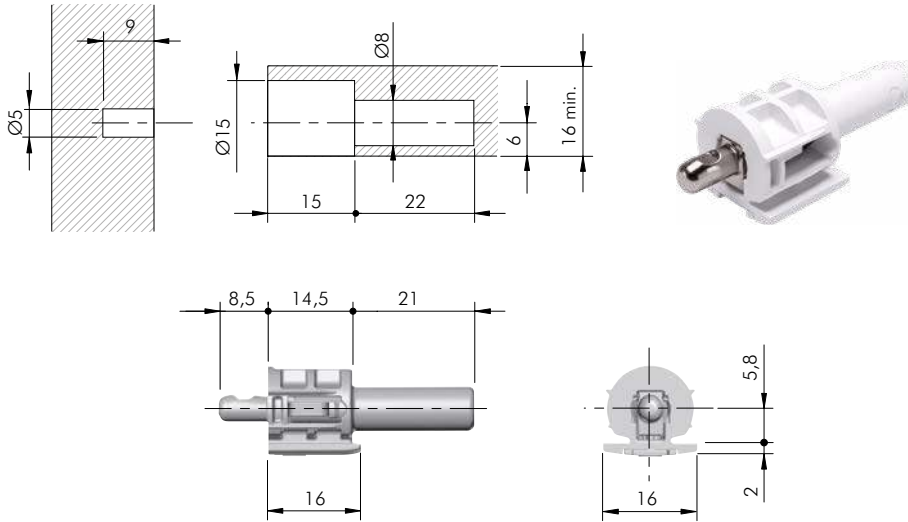
SHELF INSTALLATION



SHELF REMOVAL FOR NEW REPOSITIONING

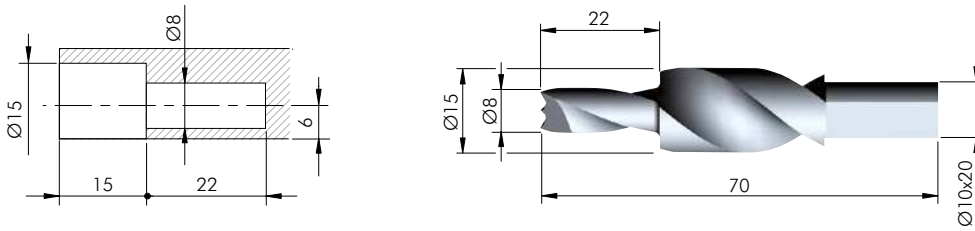


Manually unlock the KINTAI before shelf repositioning.



= Ø 5 mm	
ZA EP	= 4000 pcs.
12402000AB	EE
	IJ

DRILL BIT FOR KINTAI



HSS	= on request
1085201000	R
1085202000	L



All the information about drilling jigs are available at the end of the chapter "Shelf Supports".



KERALA



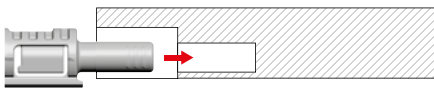
16 mm min.



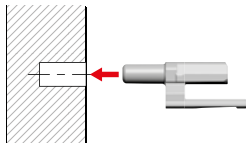
Certificates available on request.



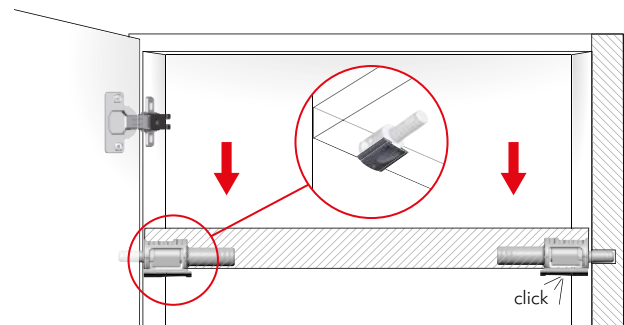
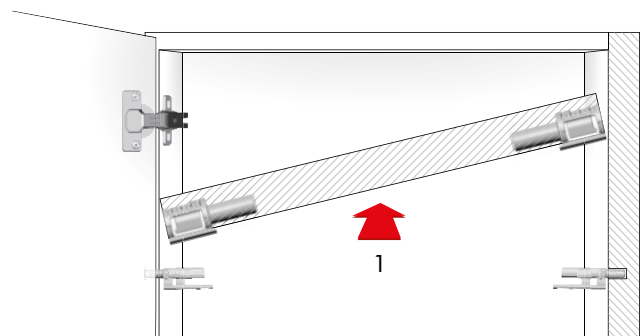
INSTALLATION



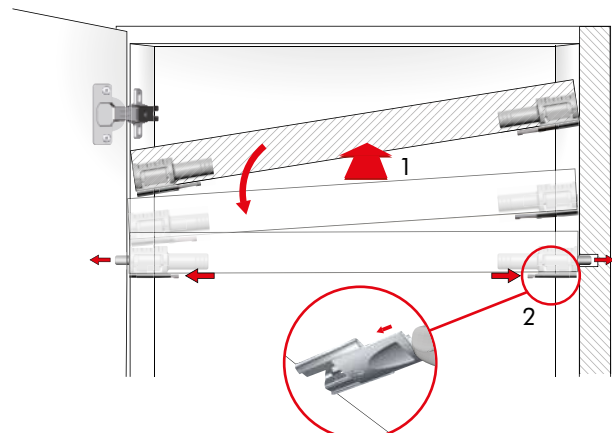
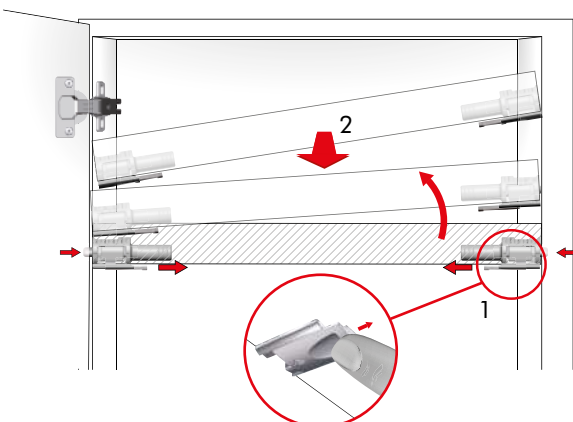
ASSEMBLING WITH SMOOTH PIN



SHELF INSTALLATION

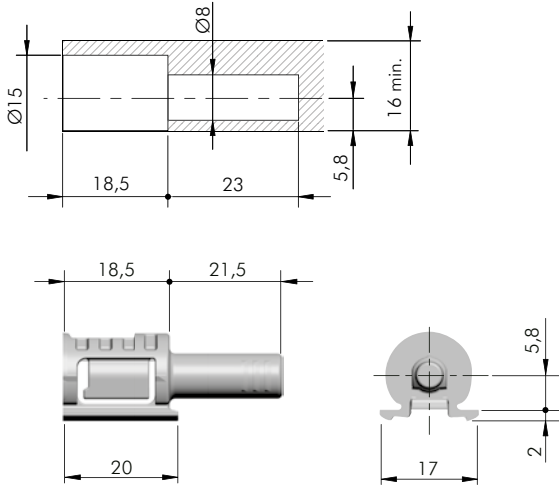


SHELF REMOVAL FOR NEW REPOSITIONING

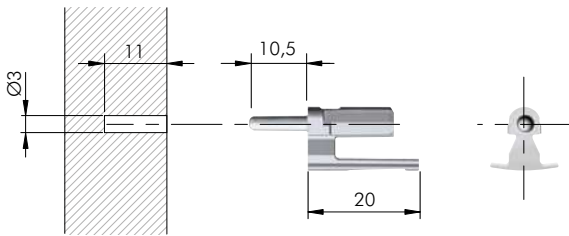


SHELF SUPPORTS

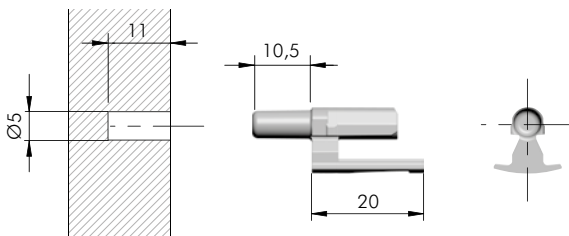
1



EP	+	= 4000 pcs.
12001000AB		

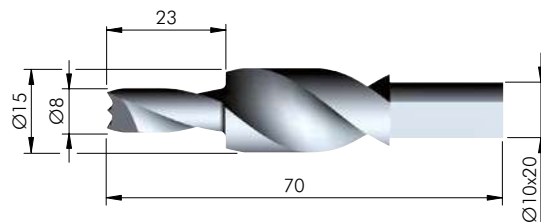
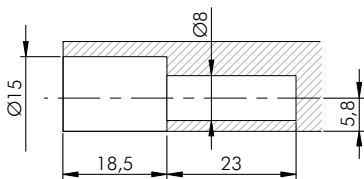


= Ø 3 mm	+	= 2500 pcs.
ZA		
12001060YA		



= Ø 5 mm	+	= 10.000 pcs.
EP		
12001010AB		

DRILL BIT FOR KERALA




HSS	= on request	
1205010000		
1205020000		

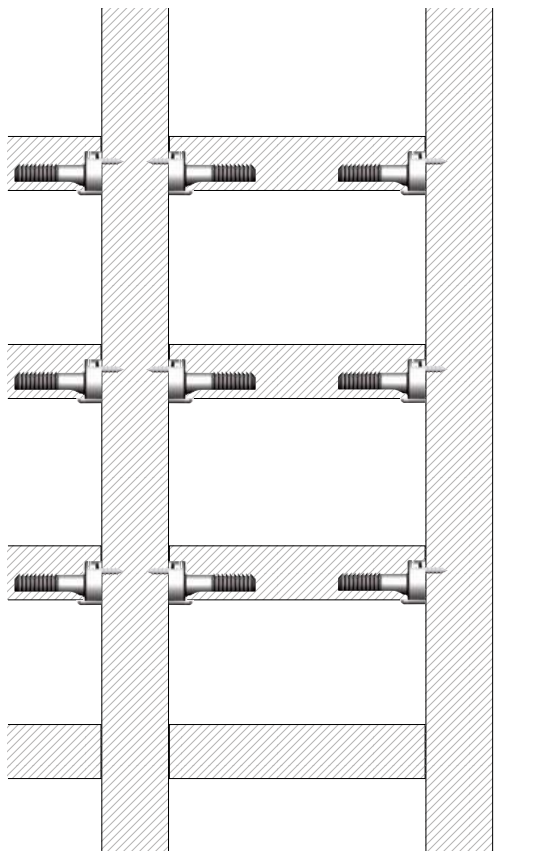
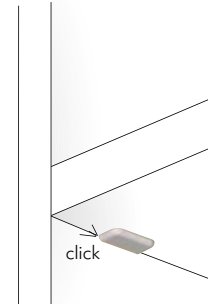
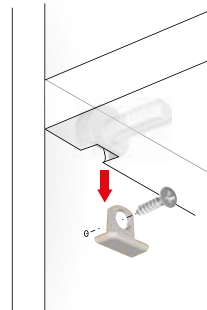
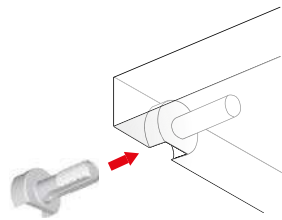


TRIS

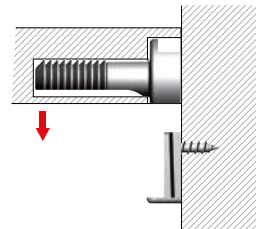


18 mm min. 

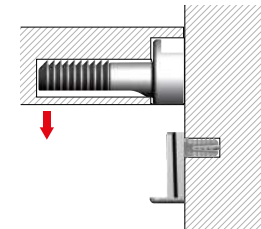
INSTALLATION AND ASSEMBLING



Assembling with alternative fixing options.

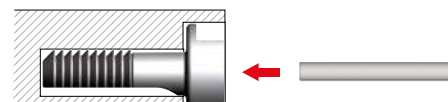


Assembling with pre-inserted spreading bush and screw to avoid hole damaging for shelf repositioning.



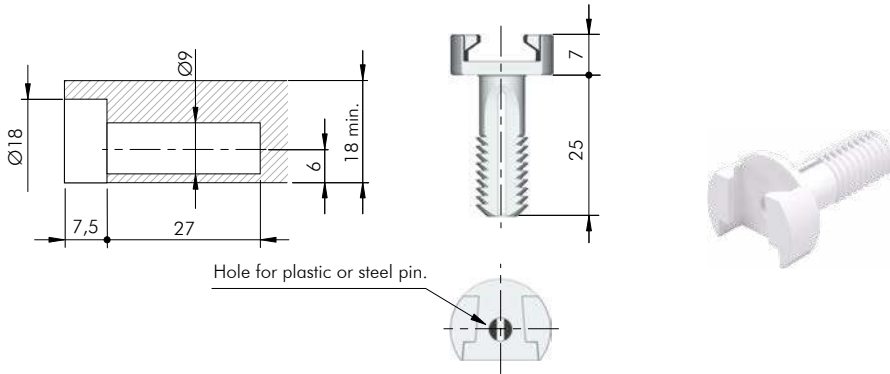
OPTIONAL FIXING:


to achieve much more horizontal connection fixing. The sleeve expands by inserting the provided $\varnothing 3$ mm pin.





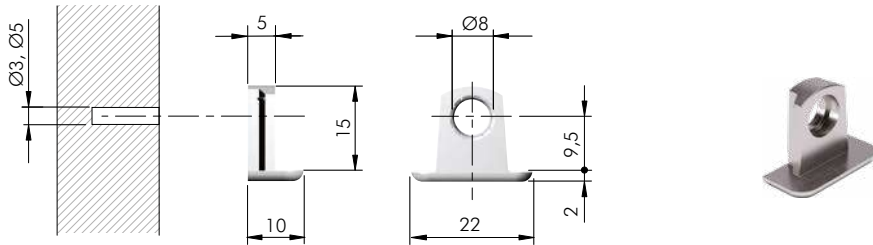
Also suitable for top and bottom panels when a back panel is used.




TRIS 18 - 19 mm






EP  = 5000 pcs.

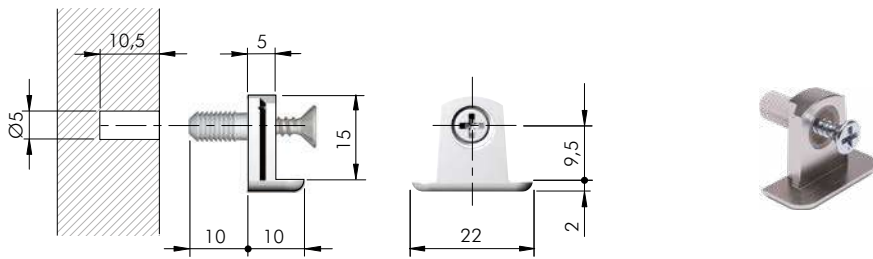
  **10901010AB**








 = Ø 3, Ø 5 mm  


ZA  = 2500 pcs.



  **10902010YA**



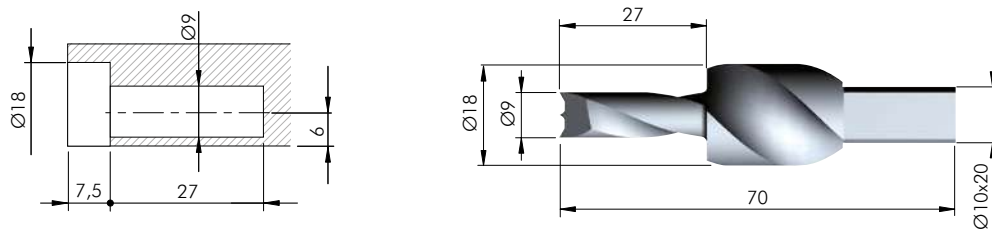
 = Ø 5 mm  


  = PZ2




ZA ST EP  = 2500 pcs.


  **10902020YA**

DRILL BIT FOR TRIS 18 - 19 mm



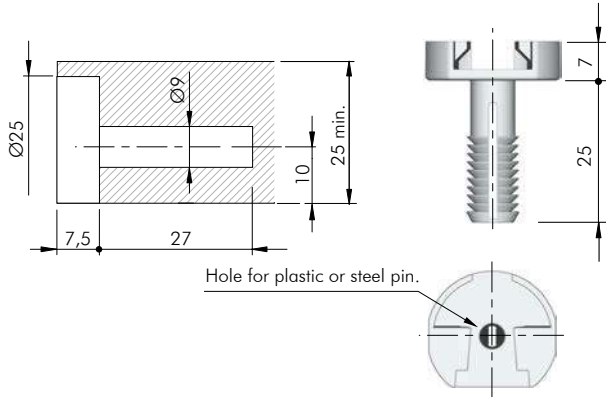
HSS  = on request

  **1090205000** 

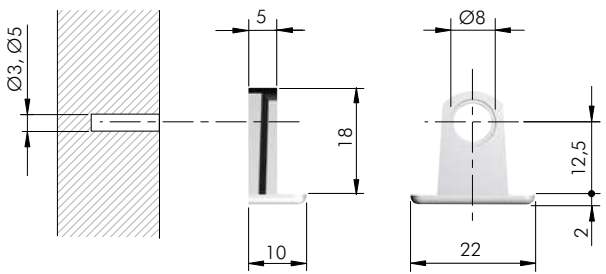
1090206000 



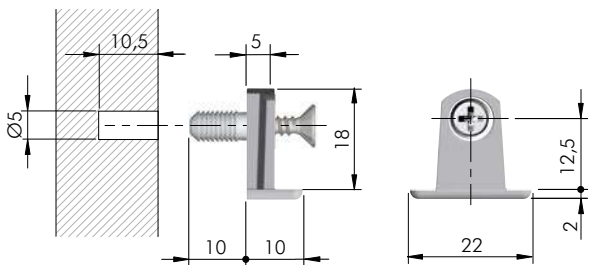
TRIS 25 mm



EP	= 2500 pcs.
123	
10901020AB	

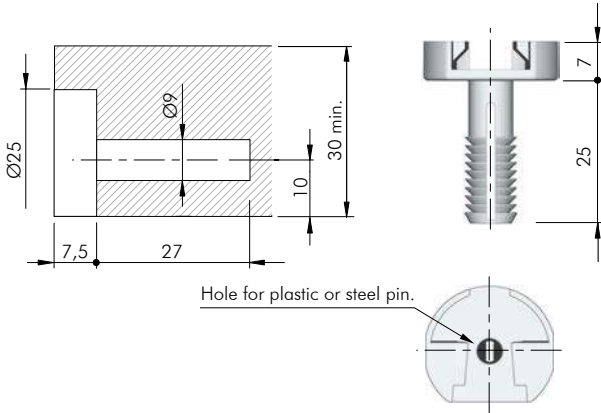





= Ø 3, Ø 5 mm	
ZA	= 2500 pcs.
123	
10903010YA	

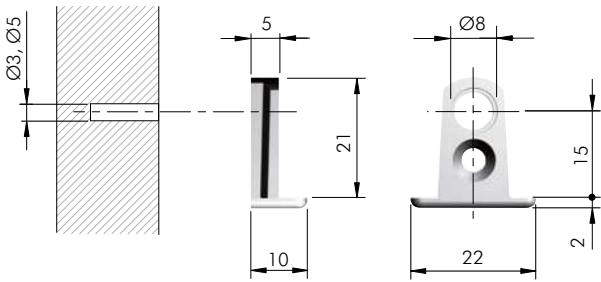








= Ø 5 mm	
= PZ2	
ZA ST EP	= 2500 pcs.
123	
10903020YA	

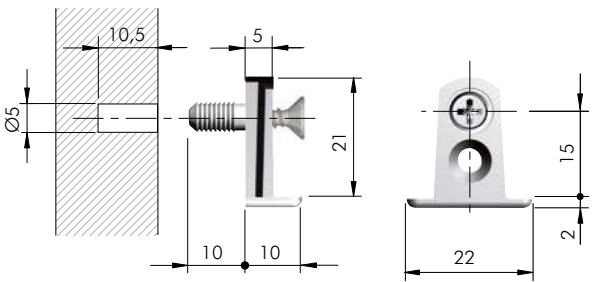
TRIS 30 mm











EP	 = 2500 pcs.
 123 	
10901020AB	



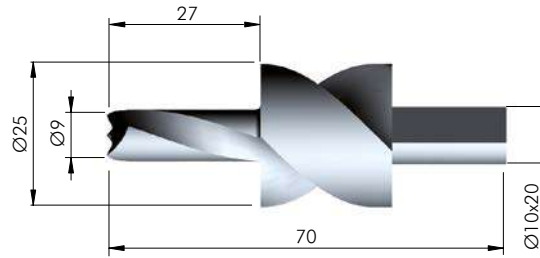
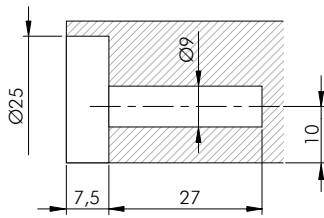
 = Ø 3, Ø 5 mm	 + 
ZA	 = 2500 pcs.
 123 	
10905010YA	






 = Ø 5 mm	 + 
  = PZ2	
ZA ST EP	 = 2500 pcs.
 123 	
10905020YA	

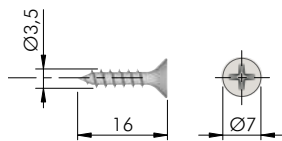









DRILL BIT FOR TRIS 25, 28, 30 mm

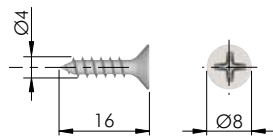









HSS	 = on request
 123	
1090207000	R
1090208000	L

TRIS FIXING ACCESSORIES



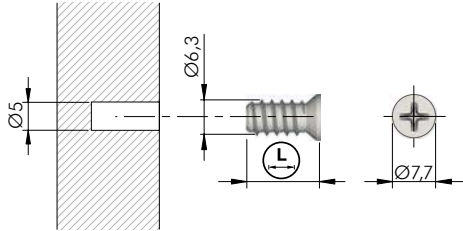
 = Ø 3 mm	
   = PZ2	
ST	 = 10.000 pcs.
 123	
60101390ZN	



 = Ø 3 mm	
   = PZ2	
ST	 = 5000 pcs.
 123	
60101570ZN	

SHELF SUPPORTS

1

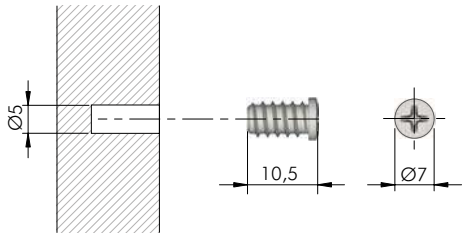


= Ø 5 mm
 +

= PZ2

ST = 5000 pcs.

60502010ZN	10
60501050YA	12,7
60502020ZN	13
60502030ZN	15

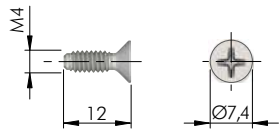


= Ø 5 mm
 +

= PZ2

ST = 5000 pcs.

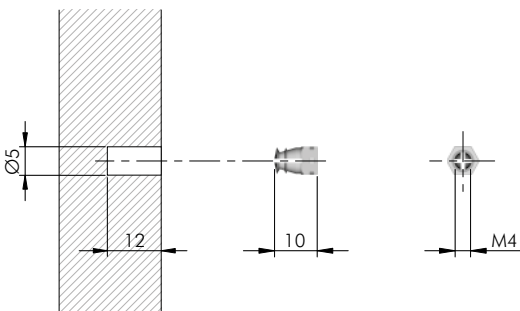
	60507010YA
--	-------------------



= M4 = PZ2

ST = on request

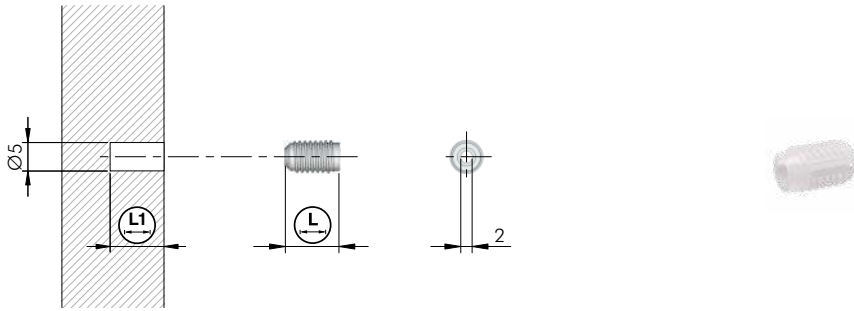
	60305040ZN
--	-------------------



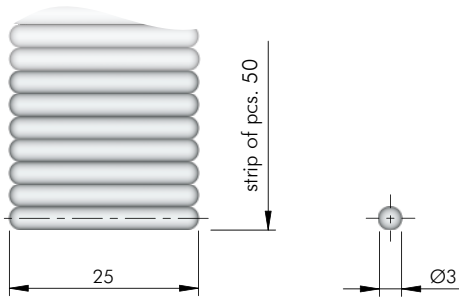
= Ø 5 mm = M4

BR = 10.000 pcs.

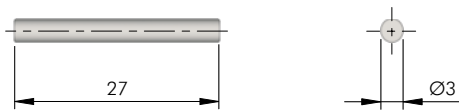
	20502021HL
--	-------------------



= Ø 5 mm		= 10.000 pcs.	
 EPn			
20302020AA	9,5	11,5	
20302030AA	13	15	



		= 50.000 pcs.	
 10950010AB			
10950010EA			



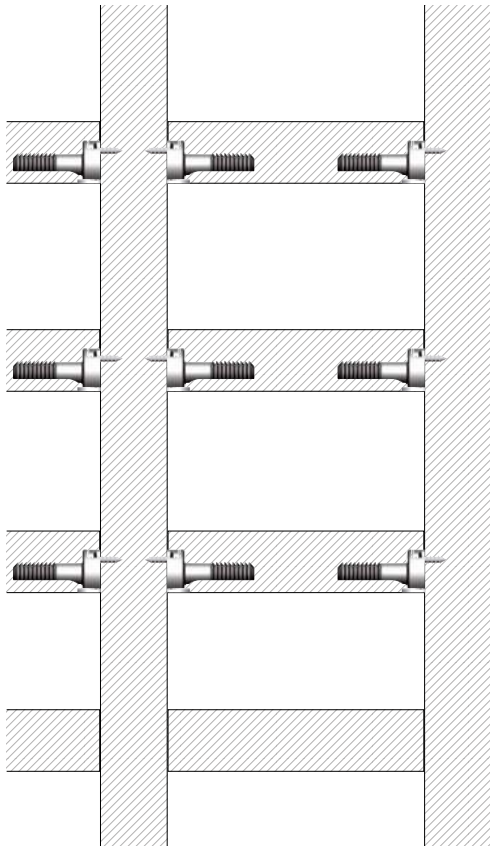
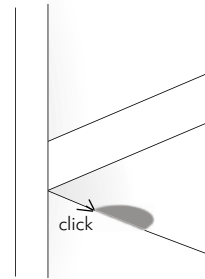
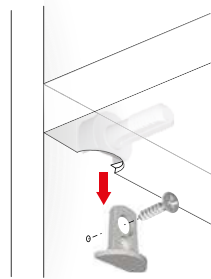
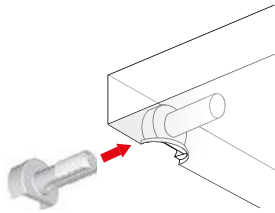
		= 10.000 pcs.	
 10951010ZN			

TRIS FOR 35 mm SHELF MIN. SIDE BRACKET ROUND LEDGE

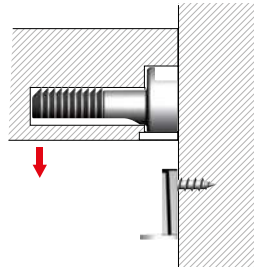


35 mm min.

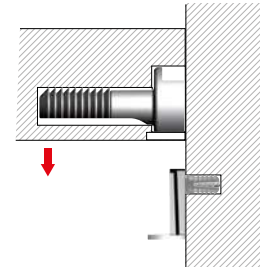
INSTALLATION AND ASSEMBLING



Assembling with alternative fixing options.

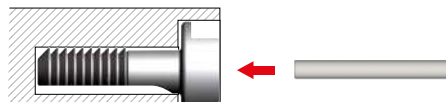


Assembling with pre-inserted spreading bush and screw to avoid hole damaging for shelf repositioning.

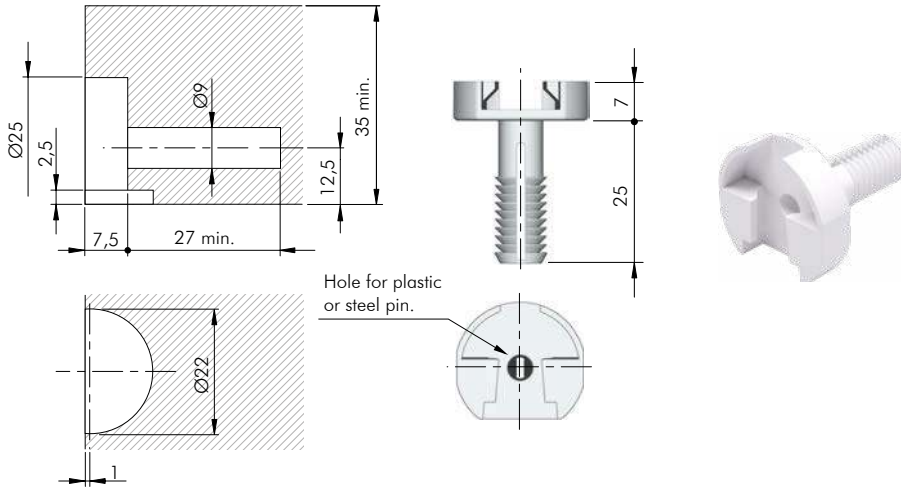


OPTIONAL FIXING:

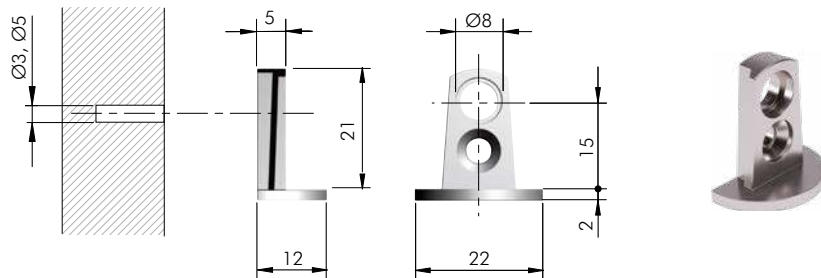
to achieve much more horizontal connection fixing. The sleeve expands by inserting the provided $\varnothing 3$ mm pin.



Also suitable for top and bottom panels when a back panel is used.

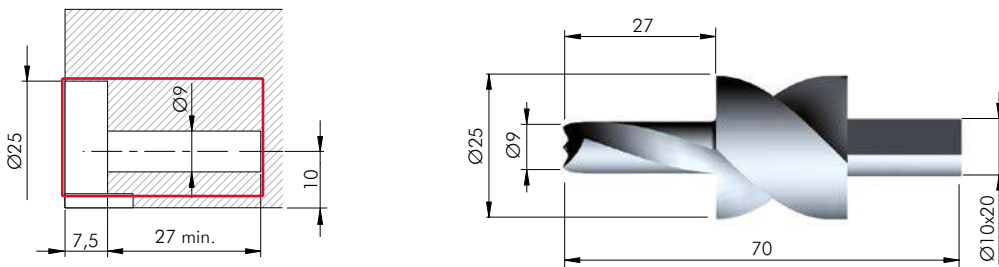


EP	= 4000 pcs.
123	
10901020AB	

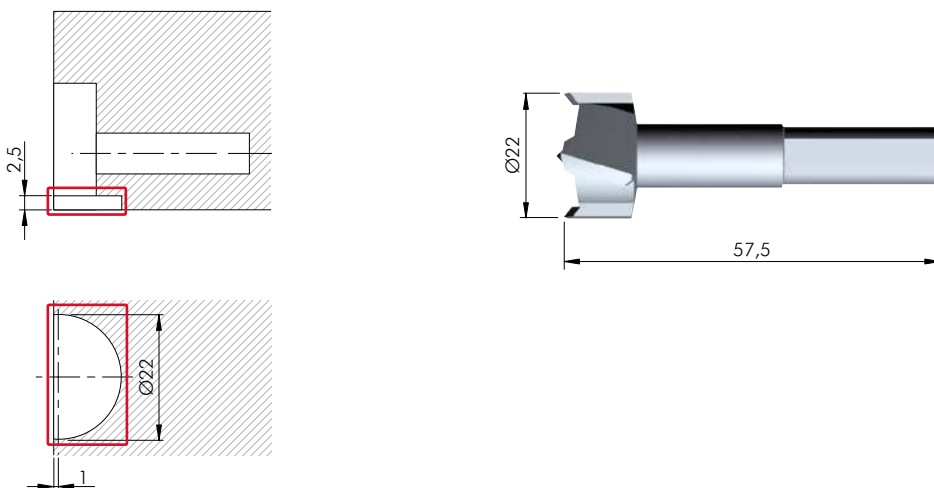


= 2500 pcs.	
ZA	+
123	
10907110YA	

DRILL BIT FOR TRIS ROUND LEDGE 35 mm

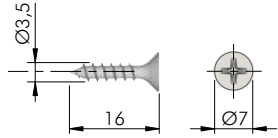


HSS	= on request
123	
1090207000	
1090208000	



HSS	= on request
123	
1090210000	

TRIS FIXING ACCESSORIES



= Ø 3 mm

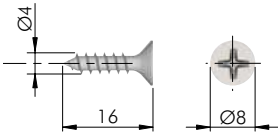
= PZ2

ST

= 10.000 pcs.



60101390ZN



= Ø 3 mm

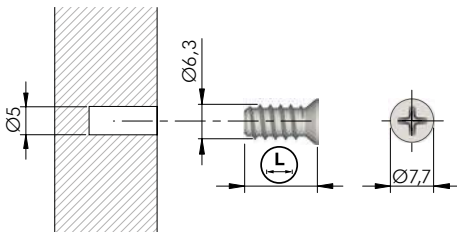
= PZ2

ST

= 5000 pcs.



60101570ZN



= Ø 5 mm

= PZ2

ST

= 5000 pcs.



60502010ZN



10

60501050YA

12,7

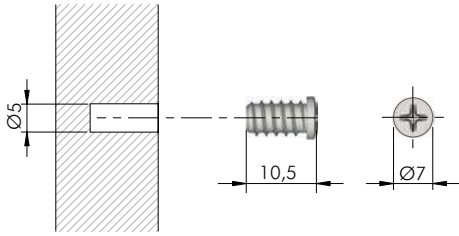
60502020ZN

13

60502030ZN

15



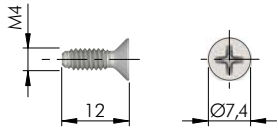


= Ø 5 mm +

= PZ2

= 5000 pcs.

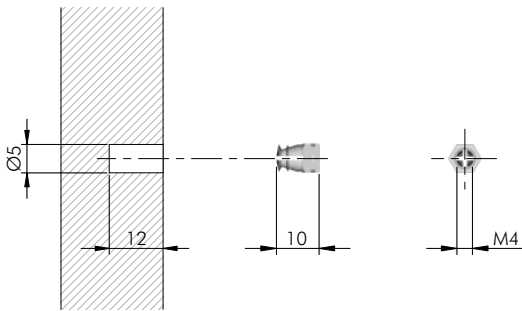
60507010YA



= M4 = PZ2

= on request

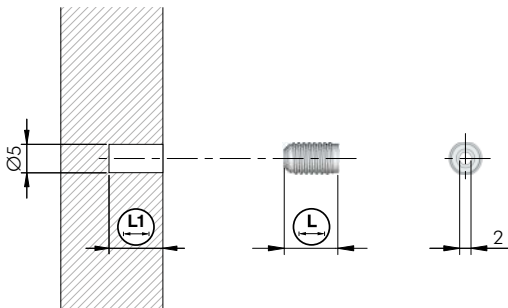
60305040ZN



= Ø 5 mm = M4

= 10.000 pcs.

20502021HL



= Ø 5 mm

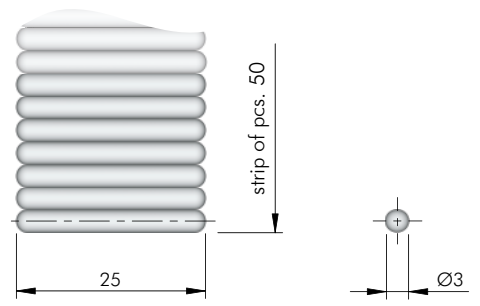
= 10.000 pcs.

20302020AA	9,5	11,5
20302030AA	13	15

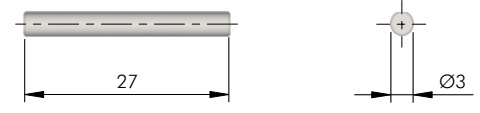


SHELF SUPPORTS

1



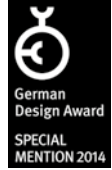
EP	= 50.000 pcs.
123	
10950010AB	
10950010EA	



ST	= 10.000 pcs.
123	
10951010ZN	



SECRET MAXI FOR 25 mm SHELF MIN.

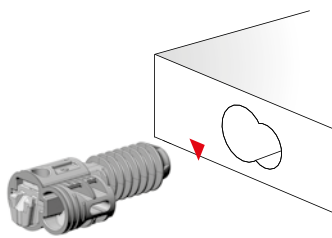


BEST OF THE BEST at:
 interzum award:
 intelligent
 material & design
 2013

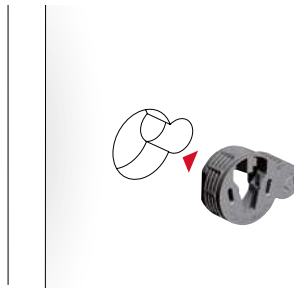
PAT. PENDING

INSTALLATION AND ASSEMBLING

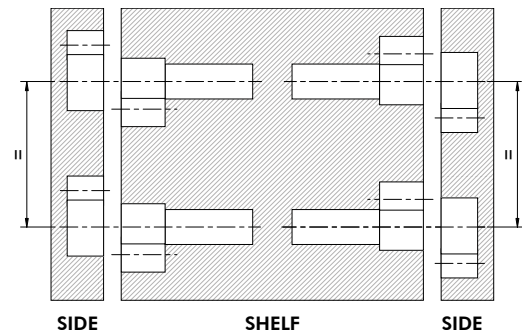
SHELF SUPPORT INSERTION ON THE SHELF



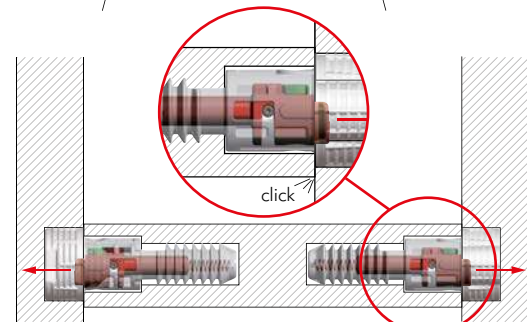
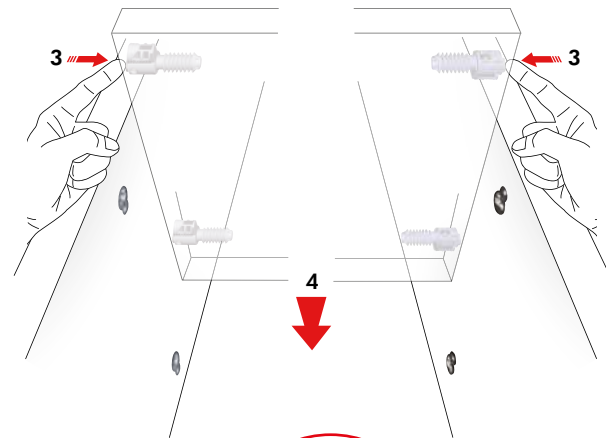
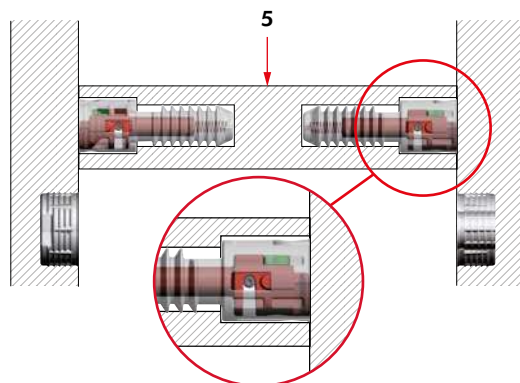
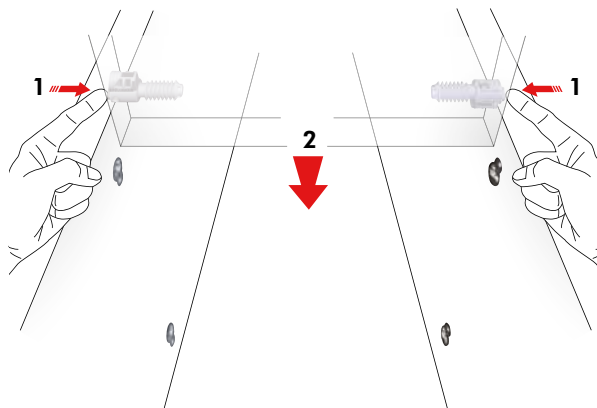
SIDE BUSH INSERTION



ALIGNMENT SHELF SUPPORT AND SIDE BUSH



SHELF PLACEMENT

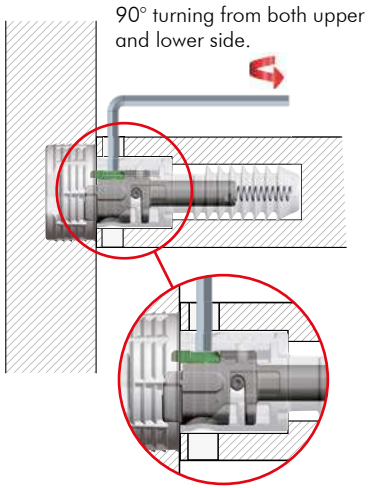


Automatic locking

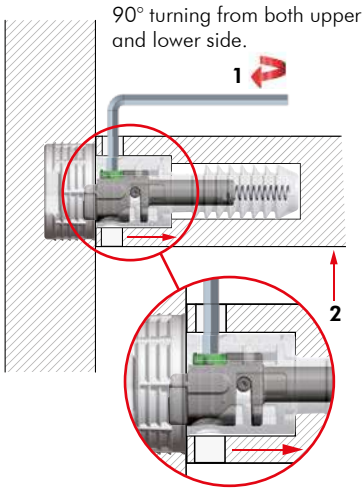
LOCKING DEVICE WHEN SHELVES MOUNTING HINGES FOR LIFT UP OR DROP DOWN DOORS

Ø 4 mm hole allows the access to the minifix with an hexagonal key S 2,5. It can be drilled either on the upper or on the lower side of the shelf, (or even a passing through hole) according to the customer's needs.

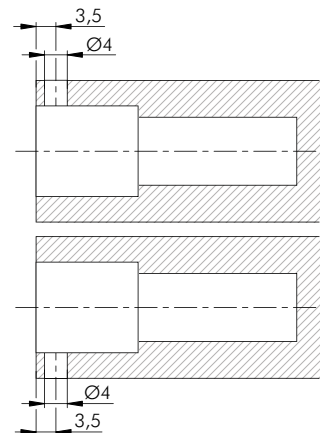
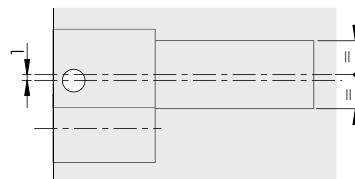
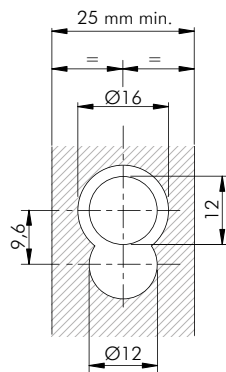
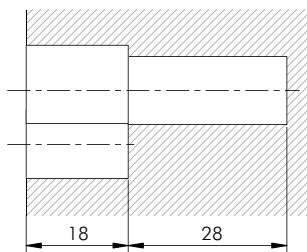
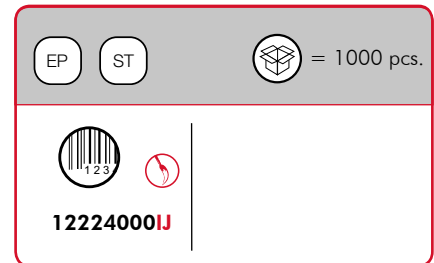
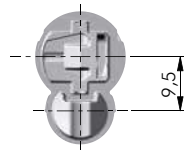
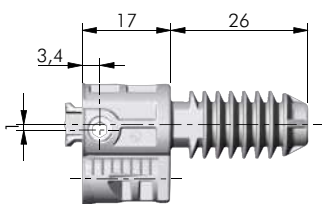
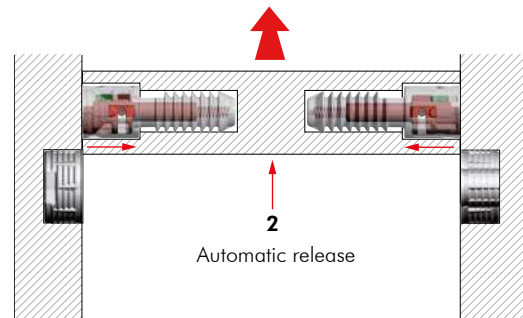
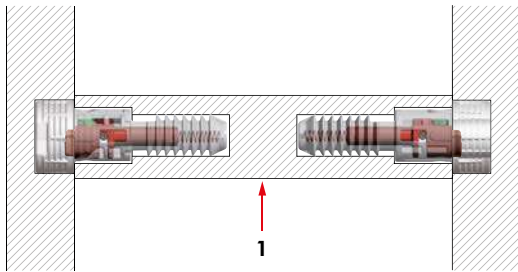
SHELF LOCKING

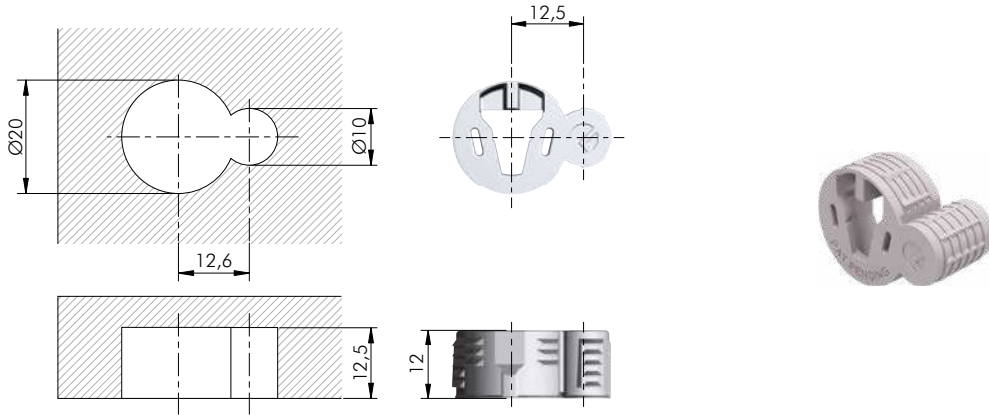


SHELF UNLOCKING



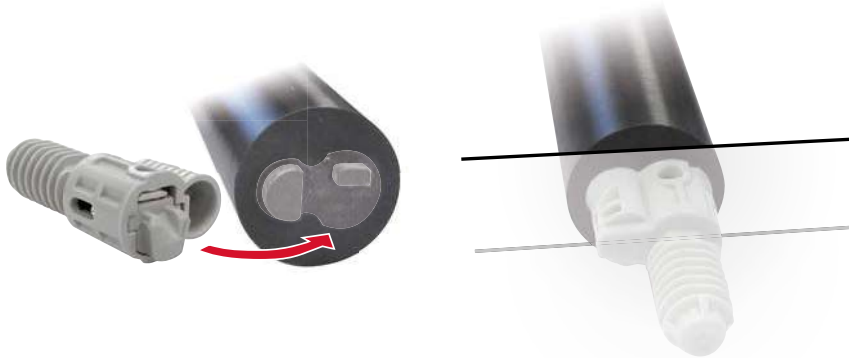
SHELF REMOVAL





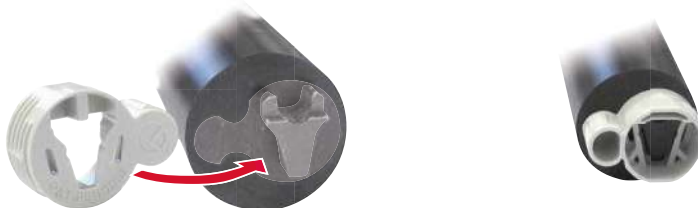
EP	= 5000 pcs.
123	
12226000IJ	

SECRET MAXI TEMPLATE FOR SHELF SUPPORT



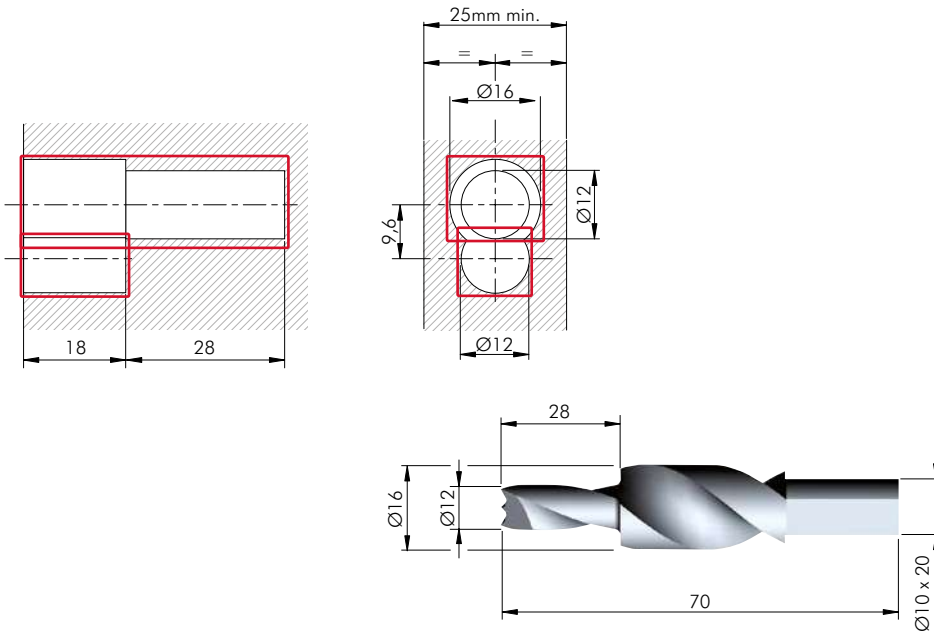
= on request	
123	
1226200000	

SECRET MAXI TEMPLATE FOR SIDE BUSH



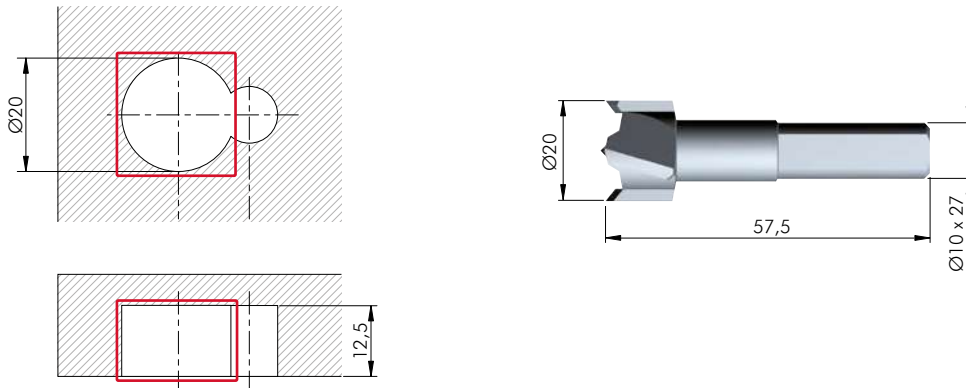
= on request	
123	
1226400000	

DRILL BIT FOR SECRET MAXI

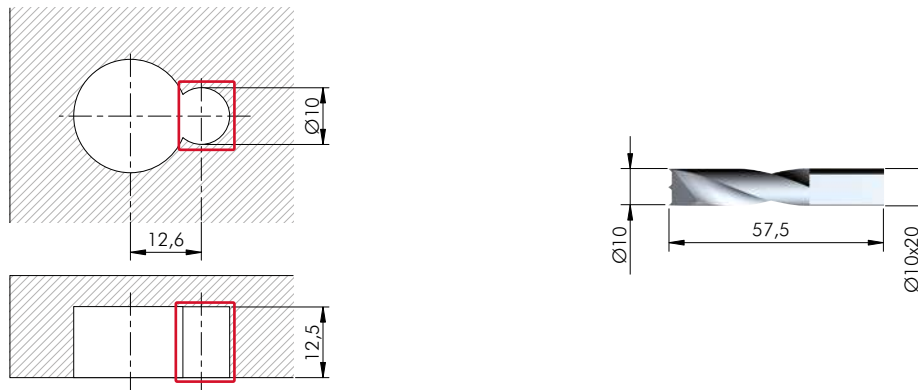


HSS	= on request
123	
1220103000	(R)
1220104000	(L)

DRILL BIT FOR SECRET MAXI SIDE BUSH



HSS	= on request
123	
1220102000	



HSS	= on request
123	
1220101000	

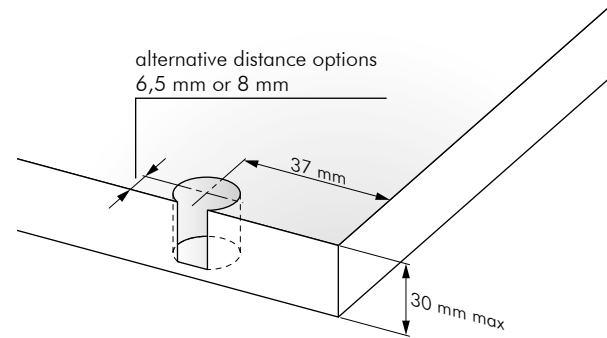
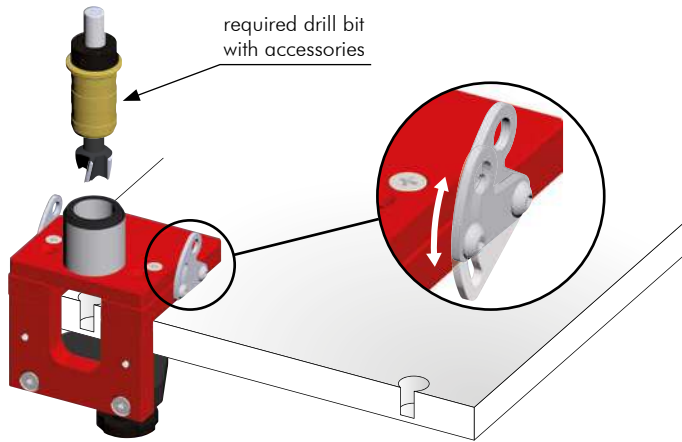


DRILLING JIG FOR SHELF SUPPORTS

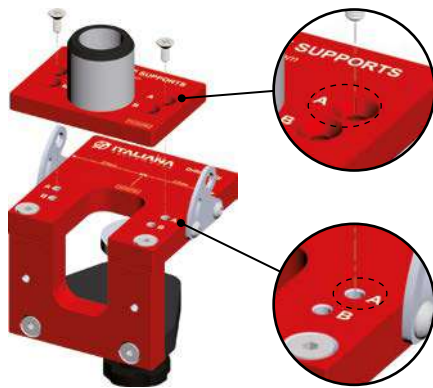


30 mm max

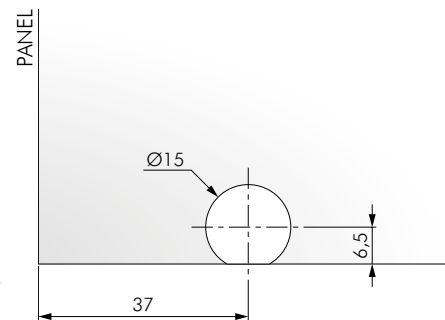
GENERAL SPECIFICATIONS



SETTING FOR DISTANCE 6,5 mm (POSITION A-A)



TO BE ORDERED SEPARATELY
Drill bit $\varnothing 15$ mm with accessories
Y0JG063600



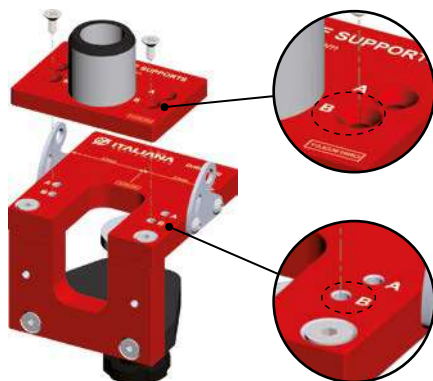
FLIPPER



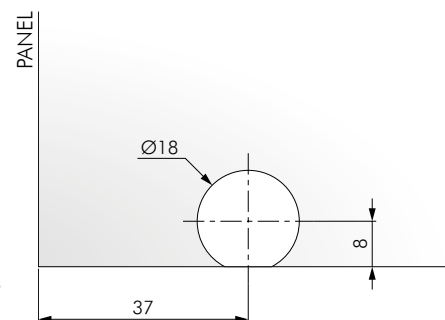
UNICO



SETTING FOR DISTANCE 8 mm (POSITION B-B)



TO BE ORDERED SEPARATELY
Drill bit $\varnothing 18$ mm with accessories
Y0JG063800



PK2

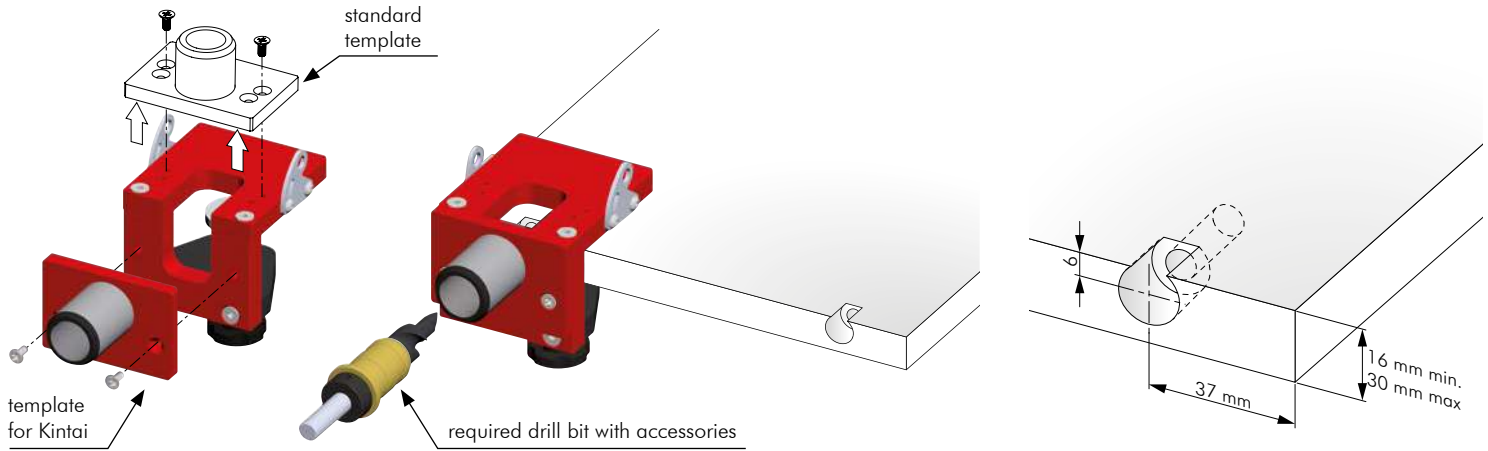


TEMPLATE FOR KINTAI SHELF SUPPORT

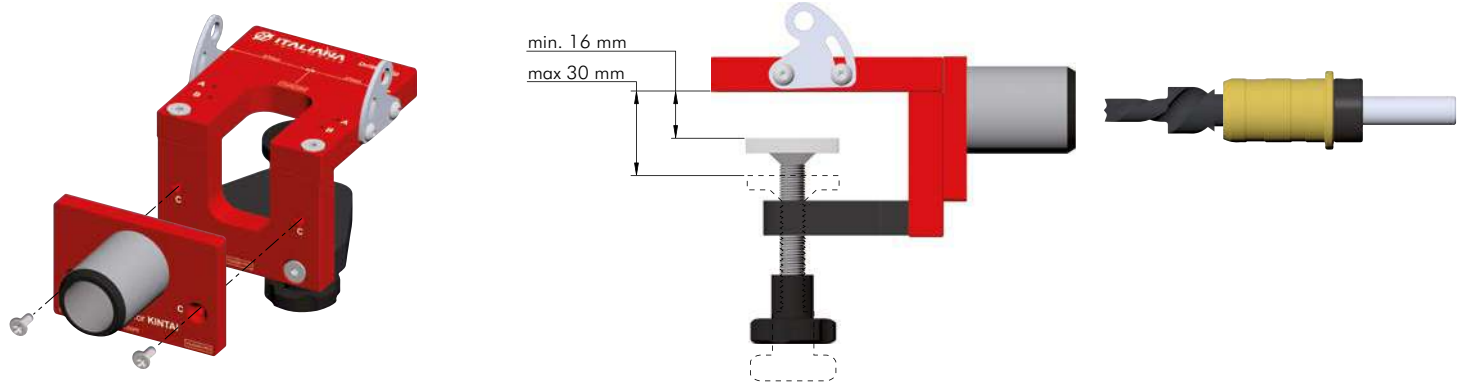


16 - 30 mm 

GENERAL SPECIFICATIONS



APPLICATION OPTIONS



SETTING FOR KINTAI (POSITION C-C)





SHELF SUPPORTS DRILLING JIG



AL	ST	EP	= on request
YOJG0170RO			

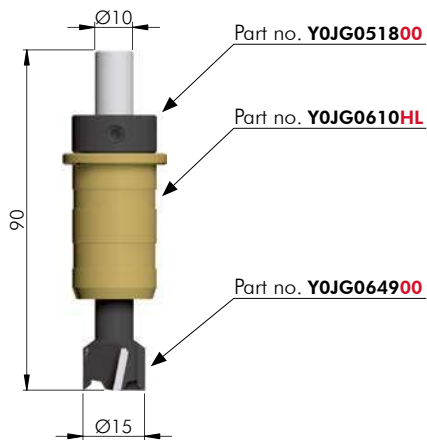
TEMPLATE FOR KINTAI SHELF SUPPORT



AL	ST	= on request
YOJG0172RO		

NOTE: The product code includes all the components shown in the picture.

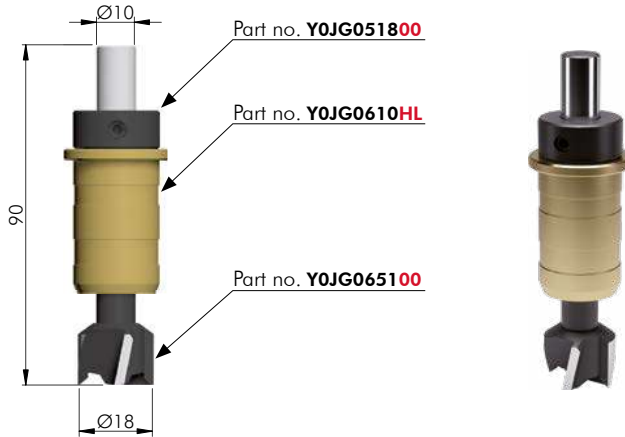
DRILL BIT Ø15 WITH ACCESSORIES



HSS	ST	BR	= on request
YOJG063600			

NOTE: The product code includes all the components shown in the picture.

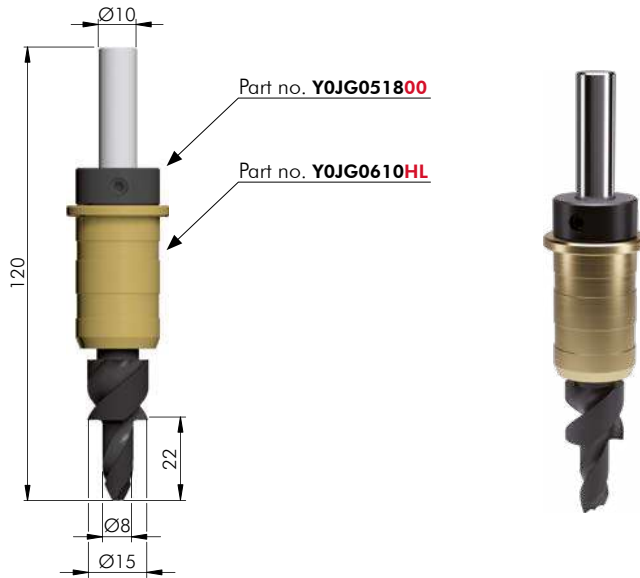
DRILL BIT Ø18 WITH ACCESSORIES



HSS	ST	BR	= on request
YOJG063800			

NOTE: The product code includes all the components shown in the picture.

DRILL BIT FOR KINTAI WITH ACCESSORIES



HSS	ST	BR	= on request
YOJG064000			

NOTE: The product code includes all the components shown in the picture.

DRILL BIT ACCESSORIES



BR	= on request
YOJG0610HL	



ST	= on request
YOJG051800	