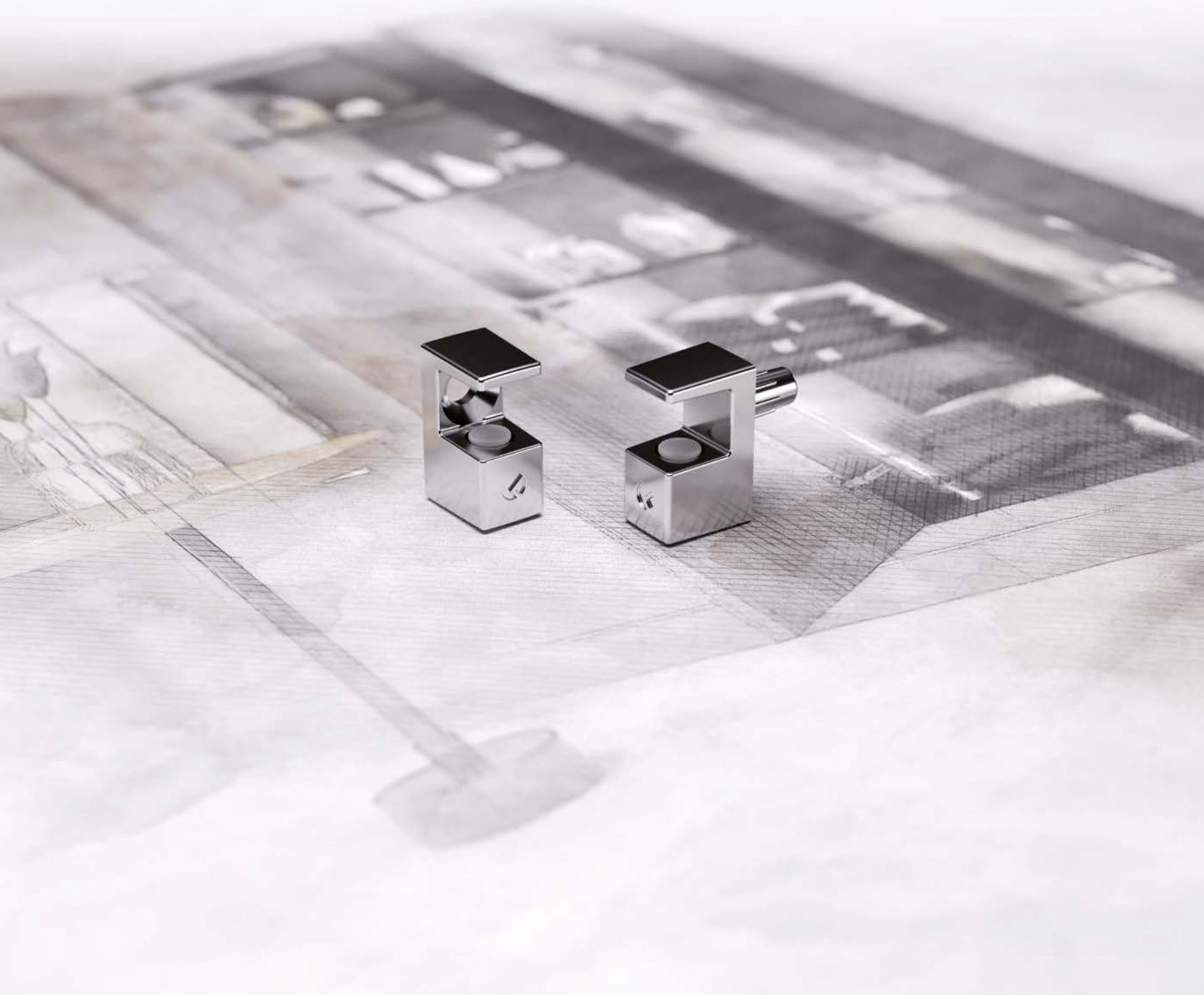


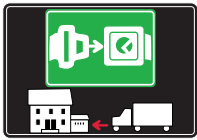
# GLASS SHELF SUPPORTS





# SYMBOLS AND FINISHES LEGEND

## SYMBOLS



= SHELF SAFELY LOCKED DURING TRANSPORTATION AND AT HOME.



= ANTI-TURNOVER LOCKING SYSTEM



= NORMS / PATENTS



= PHILLIPS / POZIDRIV



= WITH BUFFER



= PART NO.



= BLADE SLOT



= WITH MAGNET



= PCS. PER PACKAGE



= COMBI SLOT



= HEXAGONAL SOCKET



= NEWTON



= CAPACITY LOADING



= HEXALOBULAR SOCKET



= FRICTION



= WOOD / GLASS THICKNESS



= COUNTERSUNK HEAD



= AUTOMATIC



= HOLE DIAMETER



= PAN HEAD



= DROP DOWN



= DIAMETER



= FLANGE HEAD



= LENGTH



= FLAT HEAD



= STANDARD HINGE



= HEIGHT



= TRILOBULAR SCREW



= KIMANA HINGE



= RIGHT VERSION



= SELF-TAPPING SCREW



= FLAP HINGE



= LEFT VERSION



= EURO THREAD



= WITH SPRING



= SETTING CODE



= METRIC THREAD



= WITHOUT SPRING



= PCS. PER PAD



= PRE-INSERTED SCREW



= REVERSED SPRING



= CUT ON REQUEST



= PRE-INSERTED SCREW AND SPREADING BUSH



= SELF ADHESIVE



= WITH FLANGE

NOTE: Printing errors and omissions may exist despite our best efforts to ensure accuracy. We reserve the right to alter specifications without notice.

## MATERIALS

**ZA** = Zinc Alloy

**ST** = Steel

**HSS** = High Speed Steel

**BR** = Brass

**ABS** = Acrylonitrile Butadiene Styrene

**ZAnk** = Nickel-plated Zinc Alloy

**STzk** = Zinc-plated Steel

**AL** = Aluminium

**WD** = Wood

**EVA** = Ethylene Vinyl Acetate

**EP** = **ENGINEERING PLASTIC**

+ **EP** = other engineering plastic available on request

**SR** = **SOFT RUBBER**

+ **SR** = other soft rubber available on request

**EPn** = Natural Engineering Plastic

**EPc** = Clear Engineering Plastic

**SRn** = Natural Soft Rubber

**EPw** = White Engineering Plastic

**EPg** = Grey Engineering Plastic

**SRw** = White Soft Rubber

**EPwg** = Water Green Engineering Plastic

**EPa** = Anthracite Engineering Plastic

**SRb** = Black Soft Rubber



## FINISHES



+ **OTHER FINISHES AVAILABLE ON REQUEST**

PART NO.	FINISHES	PART NO.	FINISHES	PART NO.	FINISHES
00	Insignificant finish	IF	Middle Grey	RO	Red
AA	Natural	IJ	Light Grey	UT	T-Met 9007
AB	White	IL	Grey 20	UZ	T-Met
AE	White 9010	IN	Grey met. 26	WA	Bronzed
EA	Black	JB	Bright Aluminium	WI	Burnished
EC	Matt Black	JC	Aluminium - Chrome	XD	Satin-finished Steel
EE	Anthracite	JD	Matt Aluminium	YA	Nickel-plated
EW	Grey 9007	JE	Satin-finished Aluminium	YB	Bright Nickel-plated
FU	Gunmetal	JF	Aluminium - Brass	YC	Matt Nickel-plated
FV	Gunmetal V52	JG	Aluminium 5	YD	Satin-finished Nickel-plated
GR	Raw	JL	Aluminium PE 11	YQ	Black Nickel
HA	Brass-Plated	JM	Aluminium RAL 9006	Z9	Black Zinc
HH	Tropicalized	KA	Chrome	ZA	Zinc alloy
HL	Raw Brass	KB	Bright Chrome	ZN	Zinc-plated
HX	Graphite	KC	Matt Chrome	ZQ	Bright Gold
IA	Grey	LD	Brown 8019	ZY	Titanium
IB	Metallic Grey	NN	Metallic Beige	ZZ	Clear

## Table of contents

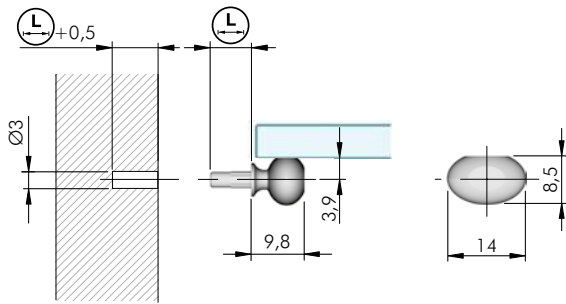
DREAM	2.1
K LINE	2.2
VERY	2.4
OR	2.4
ATAK	2.5
GEKO	2.6
GLASS SHELF SUPPORT	2.6
GRACE	2.7
KRISTAL	2.11
COBRA	2.15
PEKI	2.19
KUBIC	2.21
PULL	2.25



## DREAM



Certificates available on request.



= Ø 3 mm

ZA SR

= 5000 pcs.



**16002010YA**



7,5



SRn

**16002020YA**

10,5



SRn

**16002030YA**

7,5



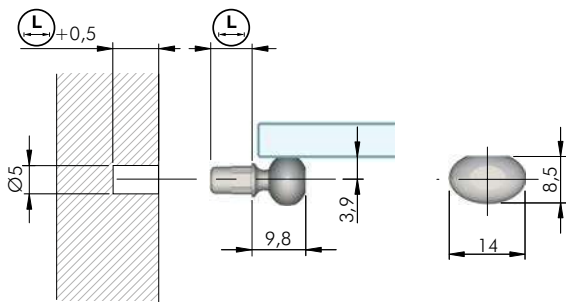
SRb

**16002040YA**

10,5



SRb



= Ø 5 mm

ZA SR

= 5000 pcs.



**16002050YA**



7,5



SRn

**16002060YA**

10,5



SRn

**16002070YA**

7,5



SRb

**16002080YA**

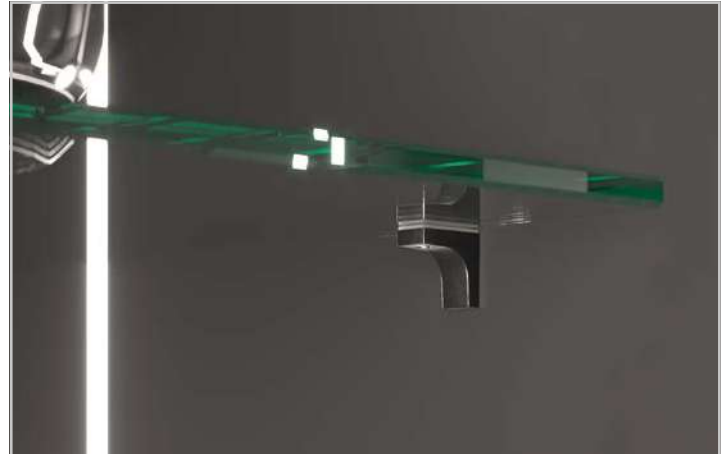
10,5



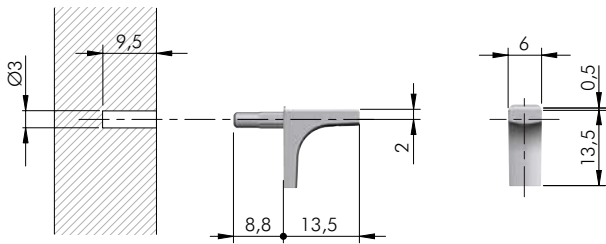
SRb







## K LINE

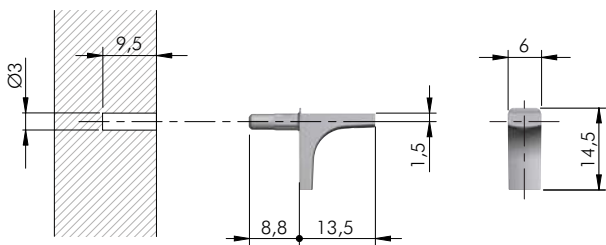
2









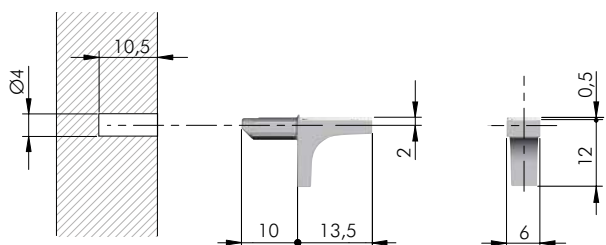
Certificates available on request. 









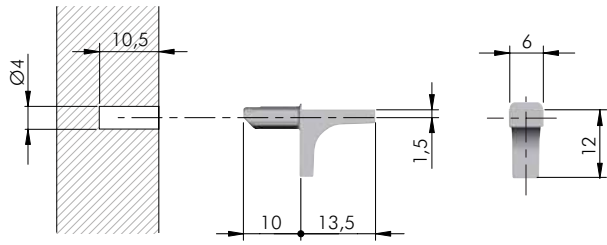
 = Ø 3 mm	+ 
ZA SRn	 = 5000 pcs.
 123	 
<b>10208250YA</b>	<b>YQ</b>



 = Ø 3 mm	+ 
ZA	 = 5000 pcs.
 123	 
<b>10208230YA</b>	<b>YQ</b>

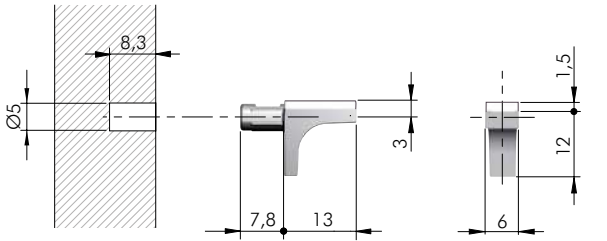


 = Ø 4 mm	+ 
ZA SRn	 = 5000 pcs.
 123	 
<b>10208150YA</b>	<b>YQ</b>



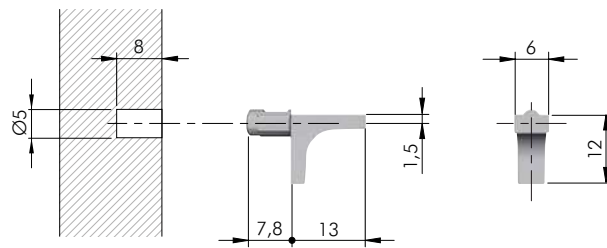
= Ø 4 mm +   
 ZA  = 5000 pcs.

**10208110YA** **YQ**



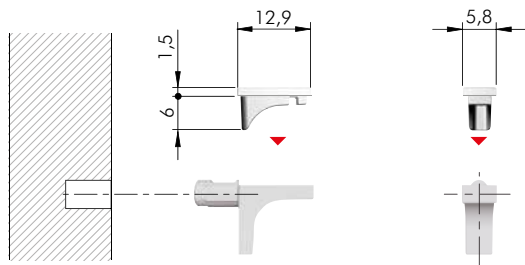
= Ø 5 mm +   
 ZA SRn  = 5000 pcs.

**10208030YA** **YQ**



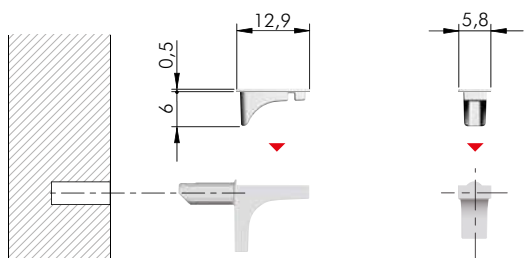
= Ø 5 mm +   
 ZA  = 5000 pcs.

**10208020YA** **YQ**



+   
 SRn  = on request

**10208060AA**



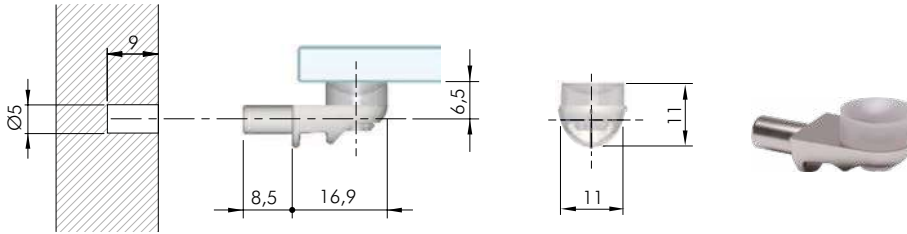
+   
 SRn  = on request

**10208070AA**

# GLASS SHELF SUPPORTS

## VERY

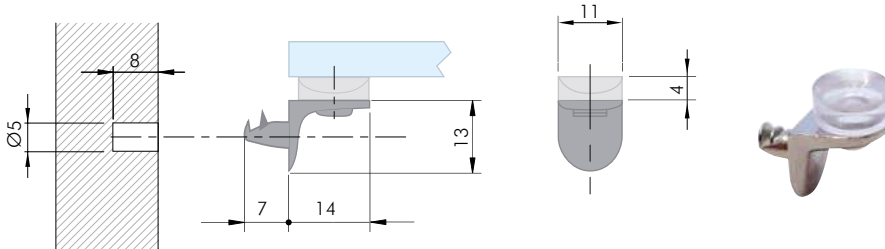
2



= Ø 5 mm +

ZA SRn  = 2500 pcs.

**16003010YA**

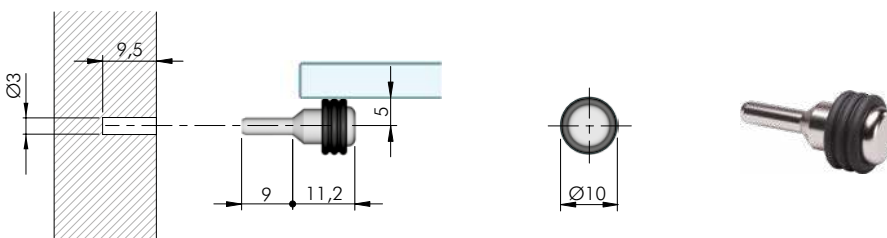


= Ø 5 mm +

ZA SRn  = 5000 pcs.

**10209040YA**

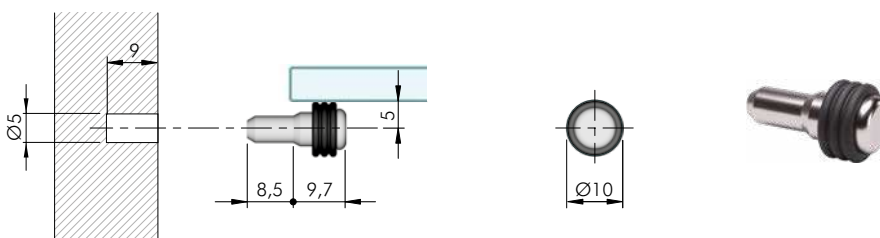
## OR



= Ø 3 mm +

ST SRb  = 5000 pcs.

**16001010YA** **YQ**



= Ø 5 mm +

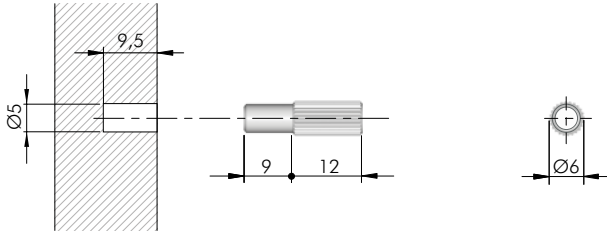
ST SRb  = 5000 pcs.

**16001020YA** **YQ**





## ATAK

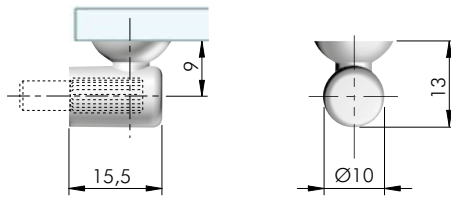


 = Ø 5 mm
 + 

 ST
  = 2500 pcs.



16006010ZN



 SRn
  = 5000 pcs.

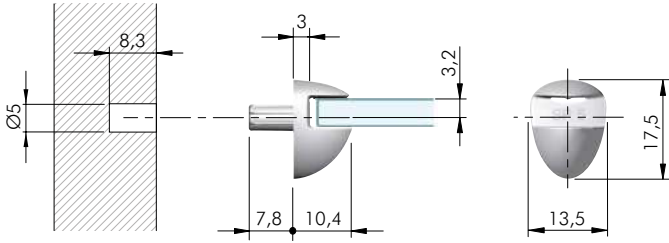


16004010AA


# GLASS SHELF SUPPORTS

**GEKO**  Certificates available on request.

2




 = 5 mm

 = Ø 5 mm

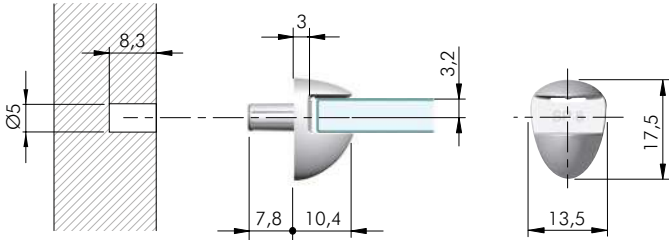
EP




 = 5000 pcs.



16010010ZZ




 = 6 mm

 = Ø 5 mm

EP

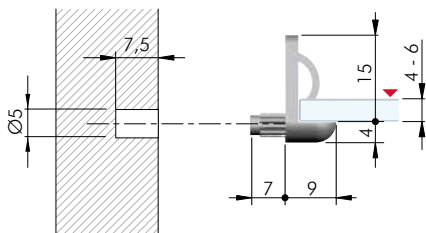



 = 5000 pcs.




16010020ZZ


## GLASS SHELF SUPPORT



 = 4 - 6 mm

 = Ø 5 mm

EP

 = 1500 pcs.



16009010ZZ



## GRACE

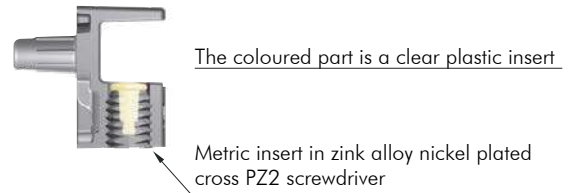
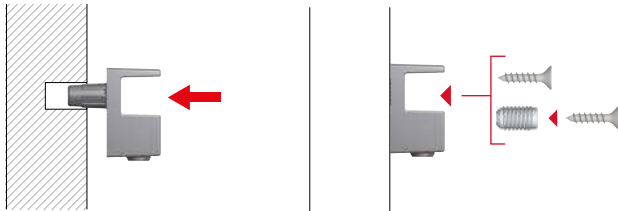


5 - 8 mm 

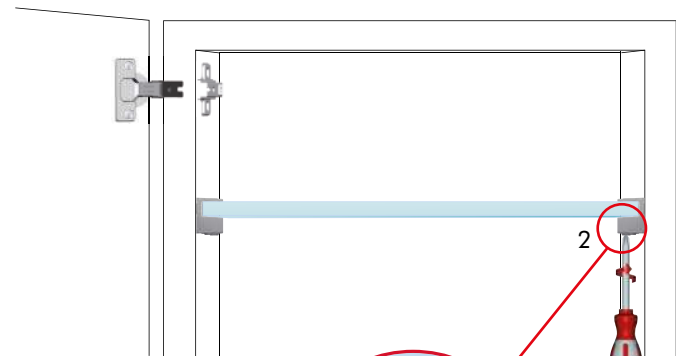
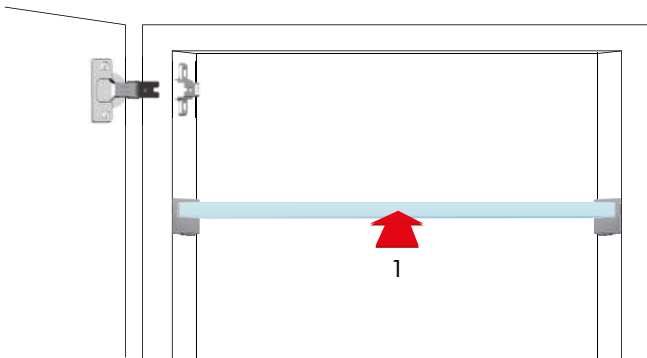
### INSTALLATION

Assembling with smooth pin

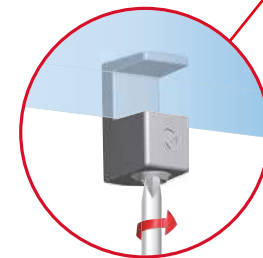
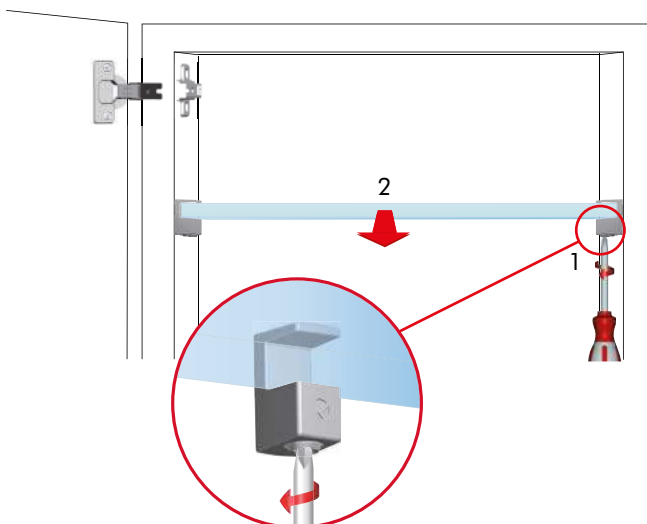
Assembling with alternative fixing options to achieve horizontal connection



### SHELF INSTALLATION

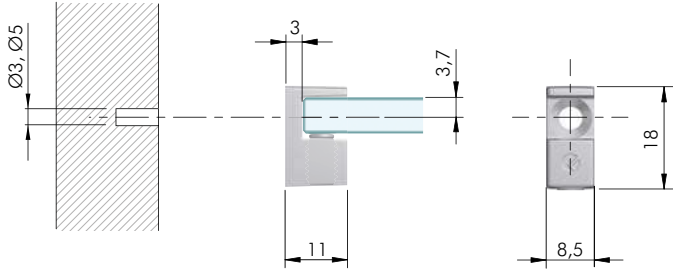


### SHELF REMOVAL FOR NEW REPOSITIONING



# GLASS SHELF SUPPORTS

2

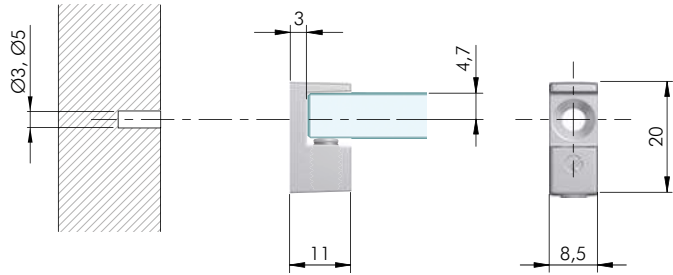


= Ø 3, Ø 5 mm +

= 5 - 6 mm = PZ2

ZA SRn

<b>16120010YA</b>		2000
<b>16120010YQ</b>		2000
<b>16120010KB</b>		1600

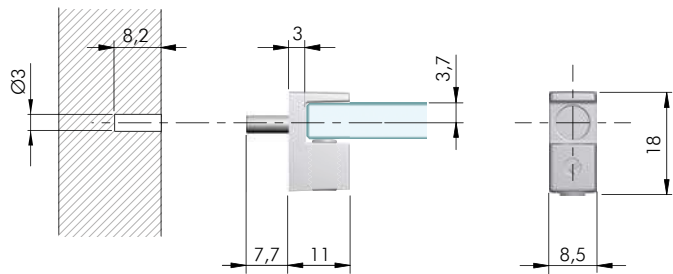


= Ø 3, Ø 5 mm +

= 8 mm = PZ2

ZA SRn

<b>16121010YA</b>		2000
<b>16121010YQ</b>		2000
<b>16121010KB</b>		1600

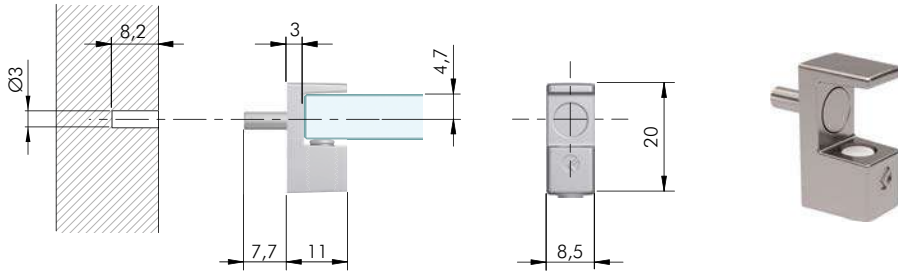


= Ø 3 mm +

= 5 - 6 mm = PZ2

ZA SRn ST

<b>16120020YA</b>		2000
<b>16120020YQ</b>		2000
<b>16120020KB</b>		1600

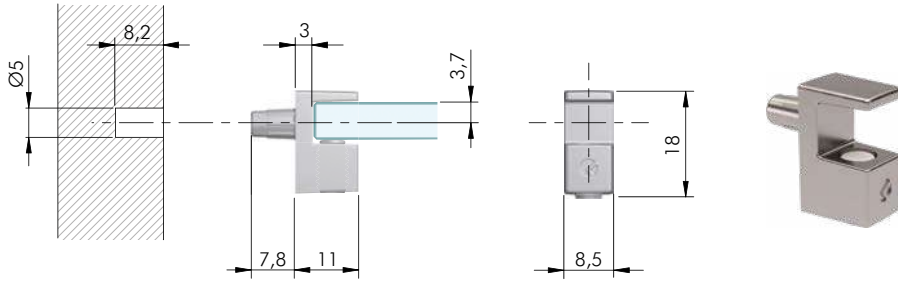


= Ø 3 mm +

= 8 mm = PZ2

ZA SRn ST

<b>16121020YA</b>		2000
<b>16121020YQ</b>		2000
<b>16121020KB</b>		1600

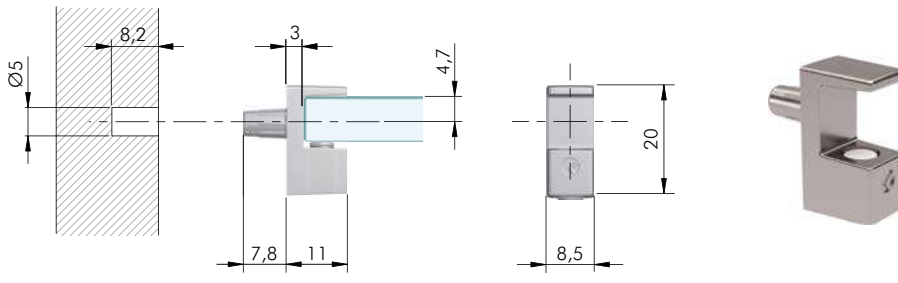


= Ø 5 mm +

= 5 - 6 mm = PZ2

ZA SRn

<b>16120030YA</b>		2000
<b>16120030YQ</b>		2000
<b>16120030KB</b>		1600



= Ø 5 mm +

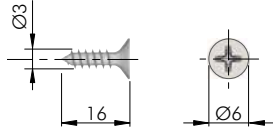
= 8 mm = PZ2

ZA SRn

<b>16121030YA</b>		2000
<b>16121030YQ</b>		2000
<b>16121030KB</b>		1600

## GRACE FIXING ACCESSORIES

2



= spot-drilling



= PZ1

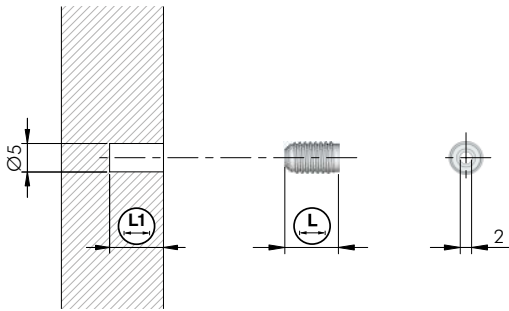
ST



= 10.000 pcs.



60101210ZN



= Ø 5 mm

EPn



= 10.000 pcs.



20302020AA



9,5



11,5



## KRISTAL



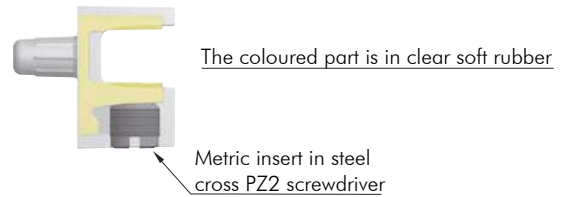
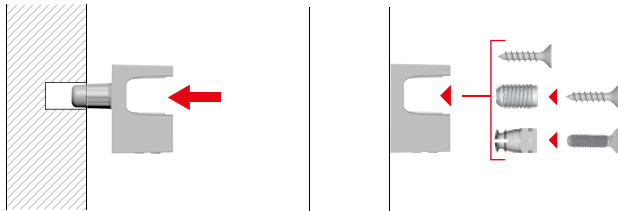
5 - 8 mm

REGISTERED DESIGN  
Certificates available on request.

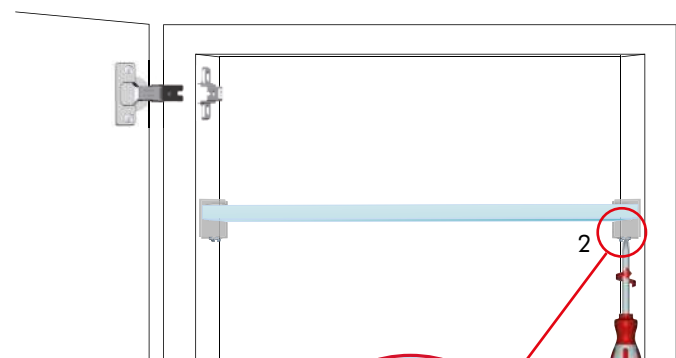
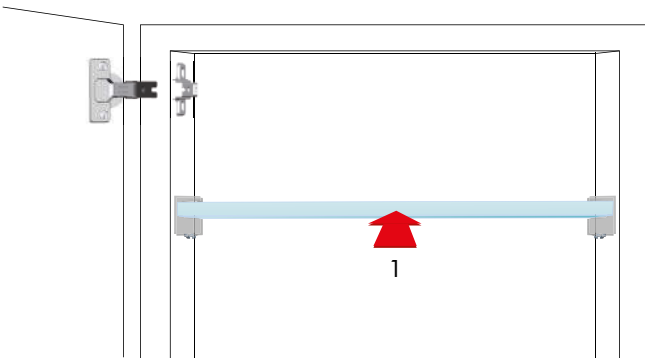
### INSTALLATION

Assembling with smooth pin

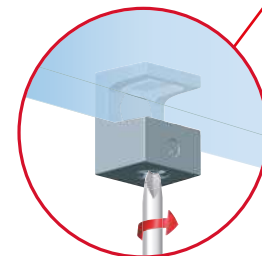
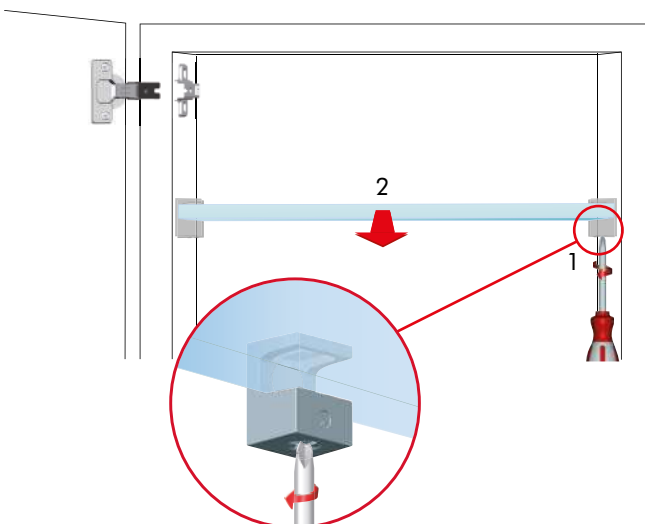
Assembling with alternative fixing options to achieve horizontal connection



### SHELF INSTALLATION

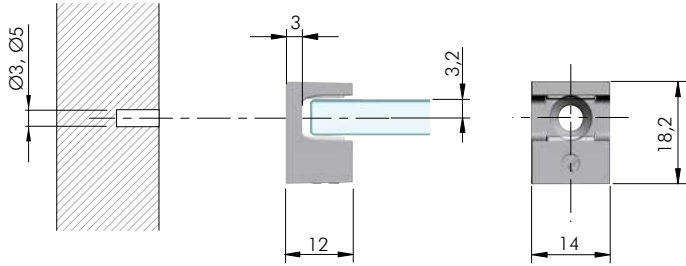


### SHELF REMOVAL FOR NEW REPOSITIONING



# GLASS SHELF SUPPORTS

2



= Ø 3, Ø 5 mm +

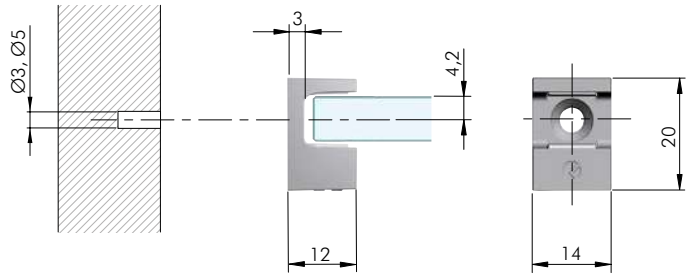
= 5 - 6 mm = PZ2

= 1000 pcs.



**16113010YA**

**16113010KB**



= Ø 3, Ø 5 mm +

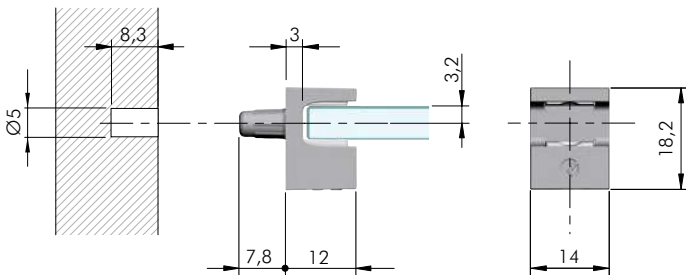
= 8 mm = PZ2

= 1000 pcs.



**16114010YA**

**16114010KB**



= Ø 5 mm +

= 5 - 6 mm = PZ2

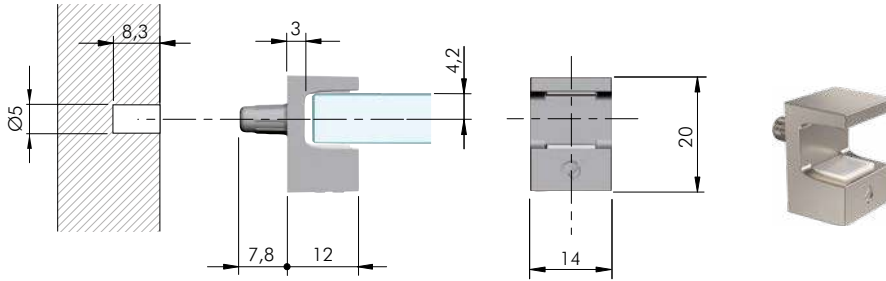
= 1000 pcs.



**16113040YA**

**16113040KB**

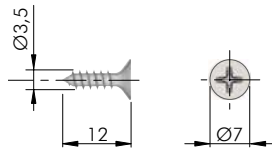




= Ø 5 mm +   
 = 8 mm = PZ2   
 = 1000 pcs.

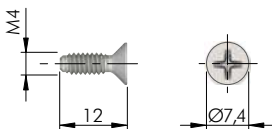
**16114040YA**   
**16114040KB**

## KRISTAL FIXING ACCESSORIES



= Ø 3 mm   
 = PZ2   
 = 10.000 pcs.

**60101380ZN**

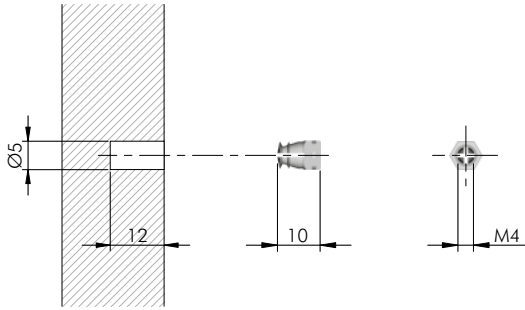


= M4 = PZ2   
 = on request

**60305040ZN**

# GLASS SHELF SUPPORTS

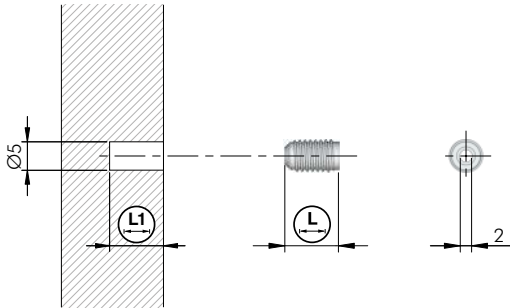
2



= Ø 5 mm	= M4
BR	= 10.000 pcs.



20502021HL



= Ø 5 mm	= 10.000 pcs.
EPn	



20302020AA



9,5



11,5



## COBRA

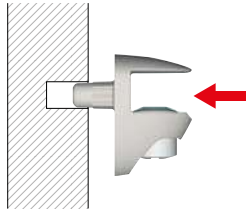


5 - 10 mm

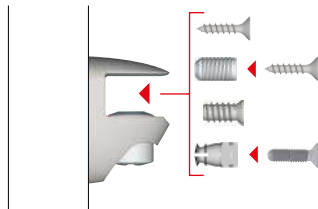
Certificates available on request.

### INSTALLATION

Assembling with smooth pin

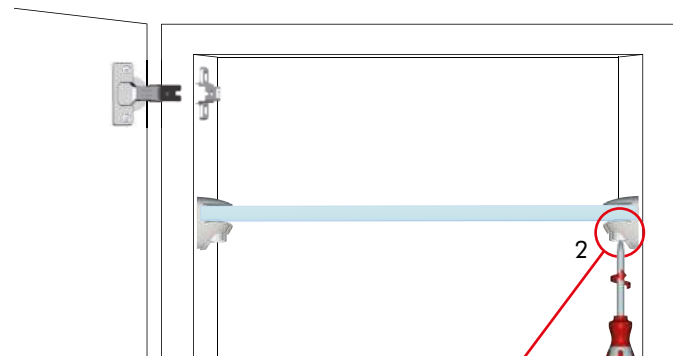
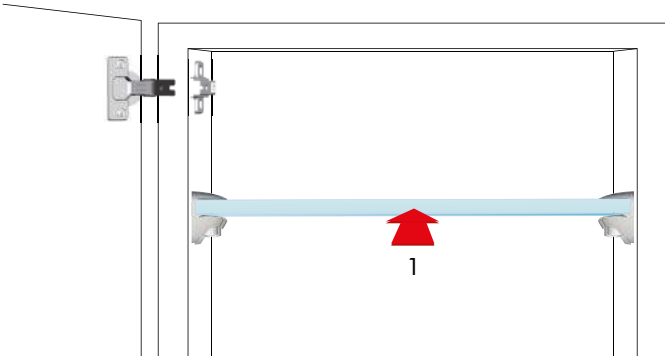


Assembling with alternative fixing options to achieve horizontal connection

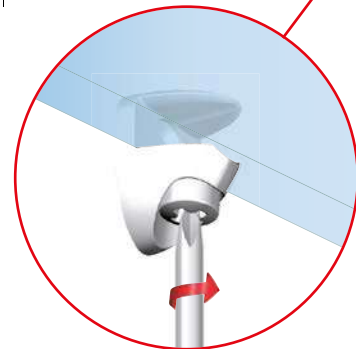
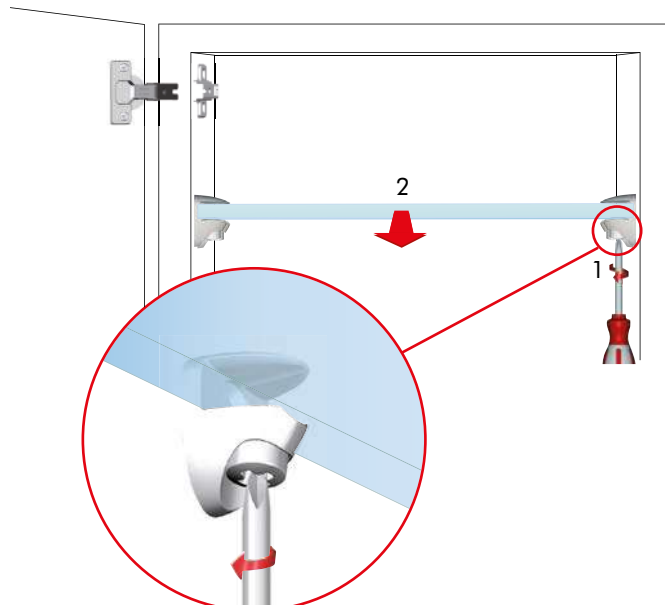


Metric insert in engineering plastic  
cross PZ2 screwdriver

### SHELF INSTALLATION

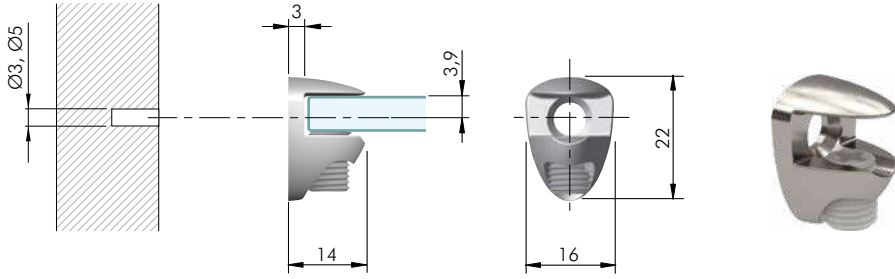


### SHELF REMOVAL FOR NEW REPOSITIONING



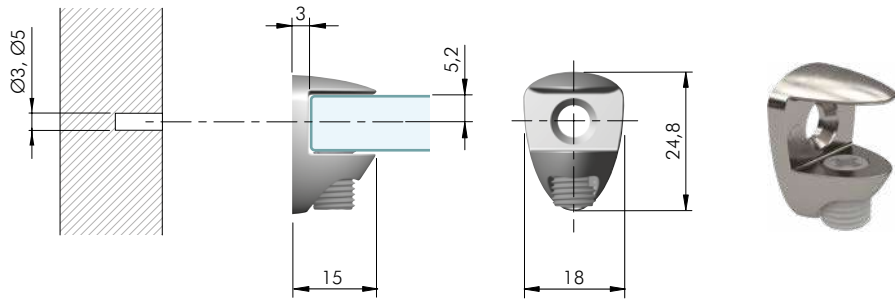
# GLASS SHELF SUPPORTS

2



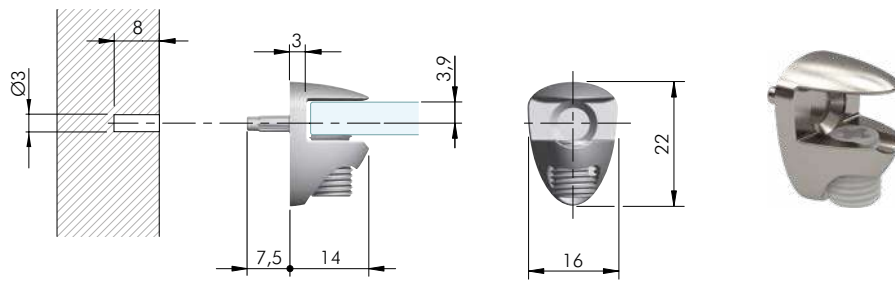
= Ø 3, Ø 5 mm +   
 = 5 - 6 mm  = PZ2  
 = 2500 pcs.

**16014010YA**



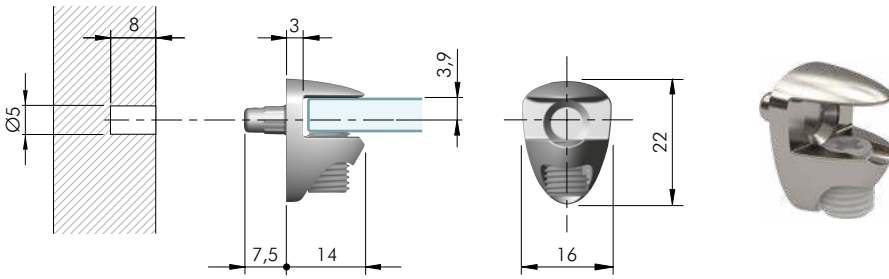
= Ø 3, Ø 5 mm +   
 = 8 - 10 mm  = PZ2  
 = 2500 pcs.

**16014020YA**



= Ø 3 mm +   
 = 5 - 6 mm  = PZ2  
 = 2500 pcs.

**16014090YA**



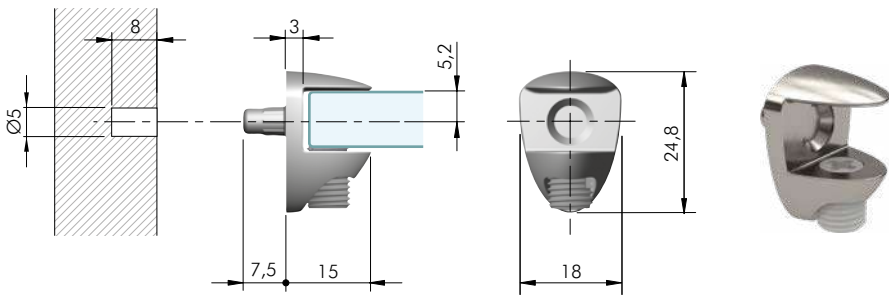
= Ø 5 mm      +

= 5 - 6 mm      = PZ2

        = 2500 pcs.

---

**16014030YA**



= Ø 5 mm      +

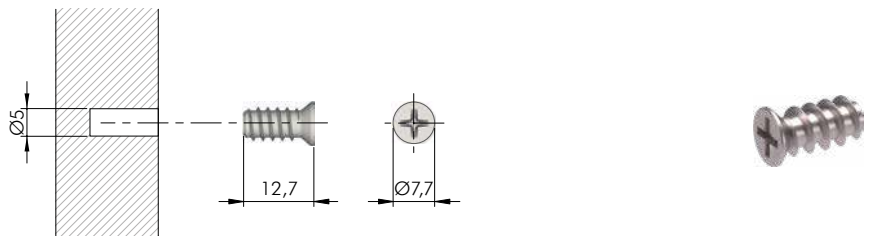
= 8 - 10 mm      = PZ2

        = 2500 pcs.

---

**16014040YA**

## COBRA FIXING ACCESSORIES



= Ø 5 mm      +

= PZ2

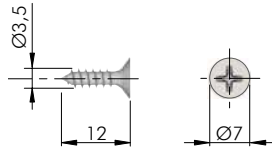
     = 5000 pcs.

---

**60501050YA**

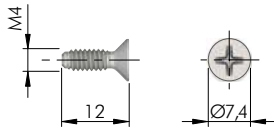
# GLASS SHELF SUPPORTS

2



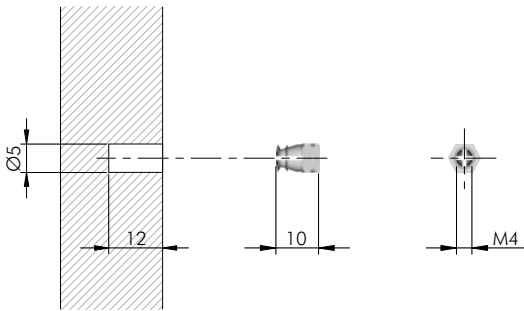
= Ø 3 mm  
 = PZ2  
 = 10.000 pcs.

**60101380ZN**



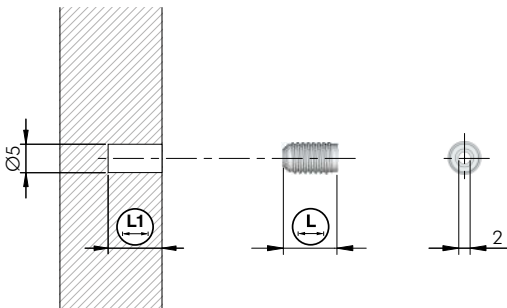
= M4 = PZ2  
 = on request

**60305040ZN**



= Ø 5 mm = M4  
 = 10.000 pcs.

**20502021HL**



= Ø 5 mm  
 = 10.000 pcs.

**20302020AA**    9,5    11,5



## PEKI

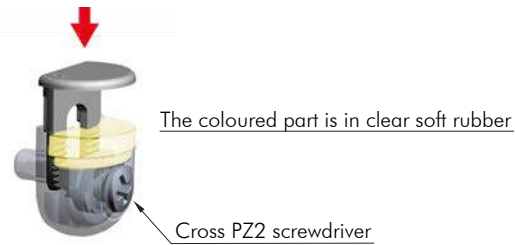
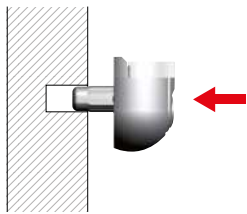


4 - 10 mm

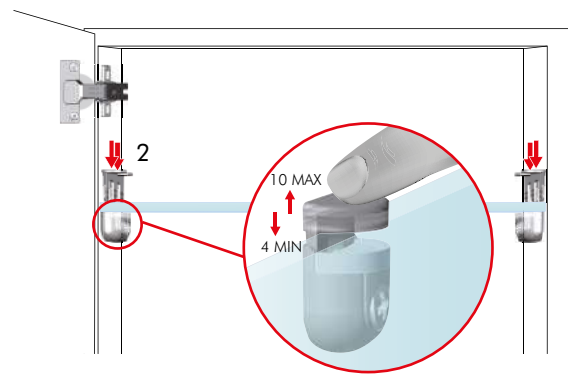
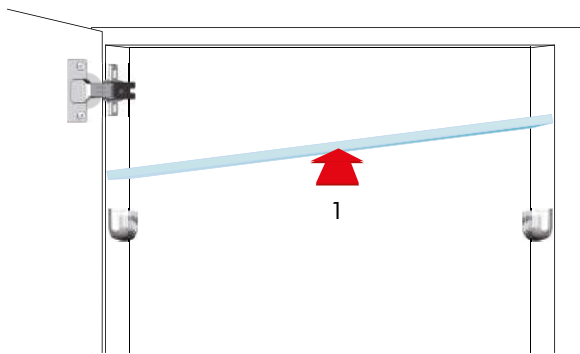
Certificates available on request.

### INSTALLATION

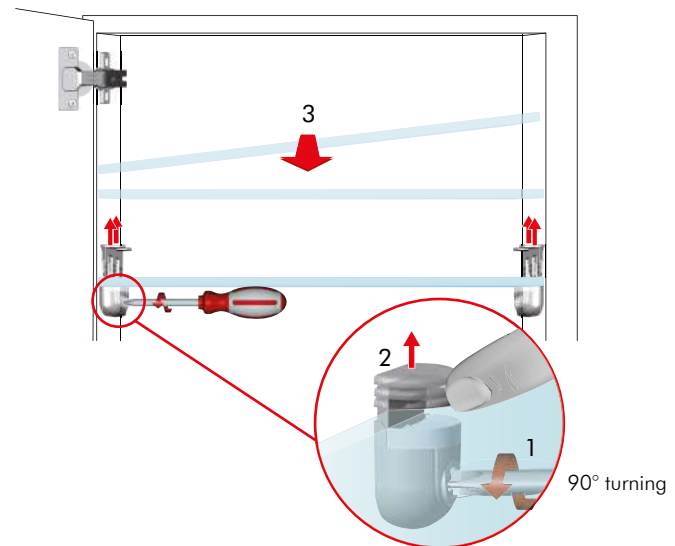
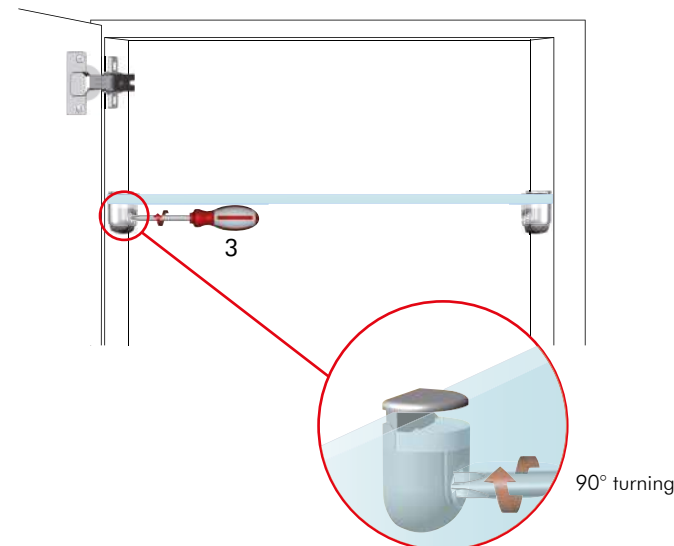
Assembling with smooth pin



### SHELF INSTALLATION

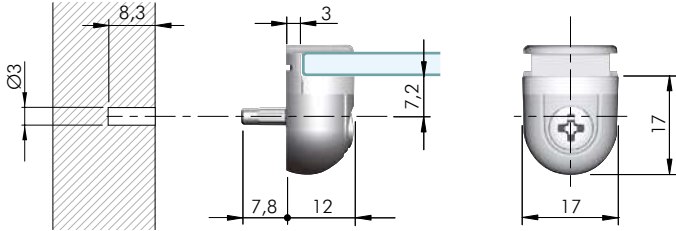


### SHELF REMOVAL FOR NEW REPOSITIONING



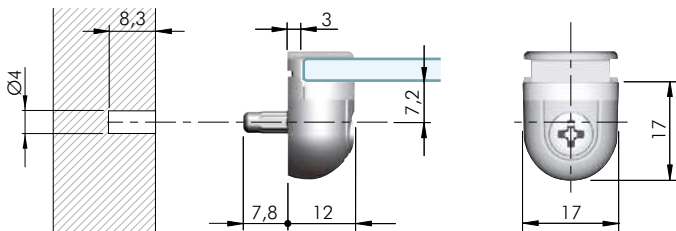
# GLASS SHELF SUPPORTS

2



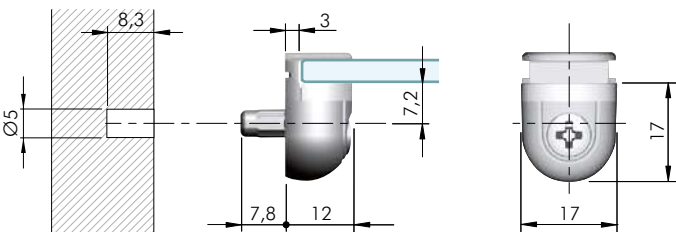
= Ø 3 mm +   
 = PZ2  
 ZA SRn  = 1000 pcs.

**16013010YA**



= Ø 4 mm +   
 = PZ2  
 ZA SRn  = 1000 pcs.

**16013020YA**



= Ø 5 mm +   
 = PZ2  
 ZA SRn  = 1000 pcs.

**16013040YA**





## KUBIC

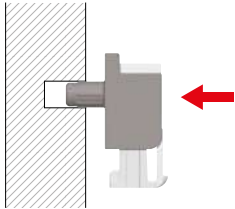


4 - 15 mm

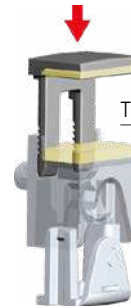
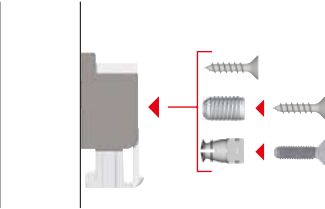
PAT. PENDING  
Certificates available on request.

### INSTALLATION

Assembling with smooth pin

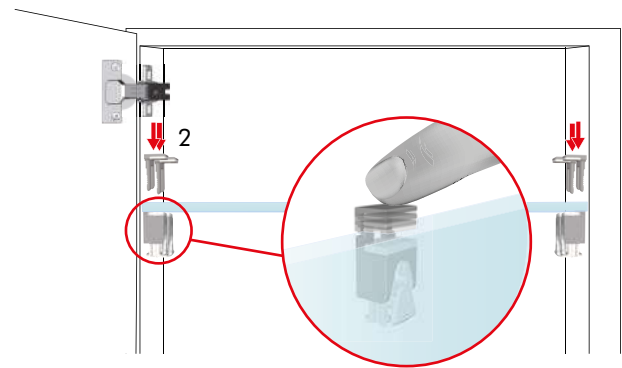
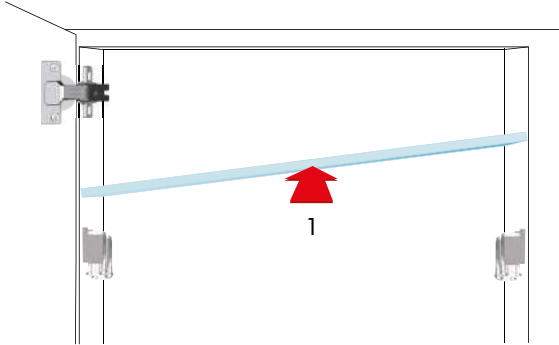


Assembling with alternative fixing options to achieve horizontal connection

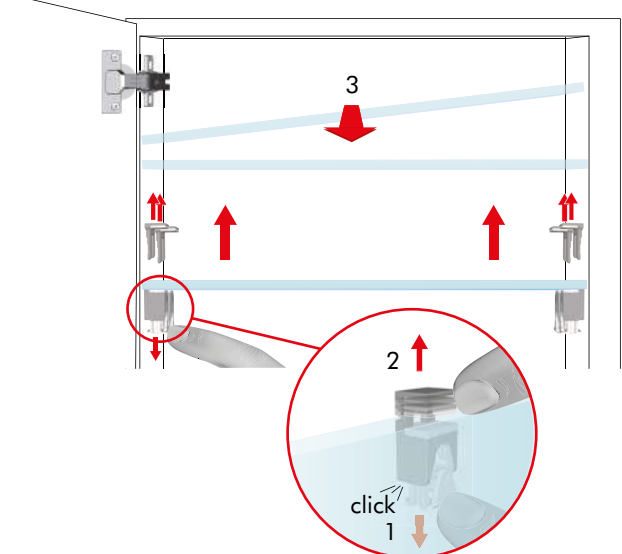
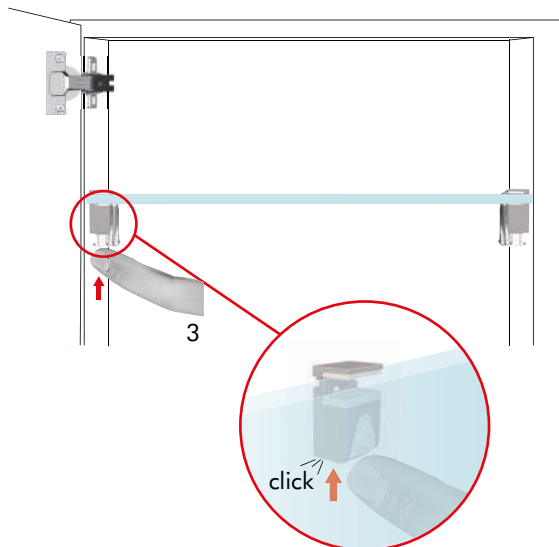


The coloured parts are in clear soft rubber

### SHELF INSTALLATION

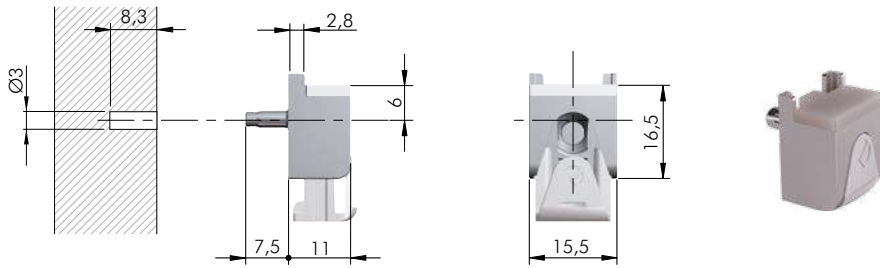


### SHELF REMOVAL FOR NEW REPOSITIONING



# GLASS SHELF SUPPORTS

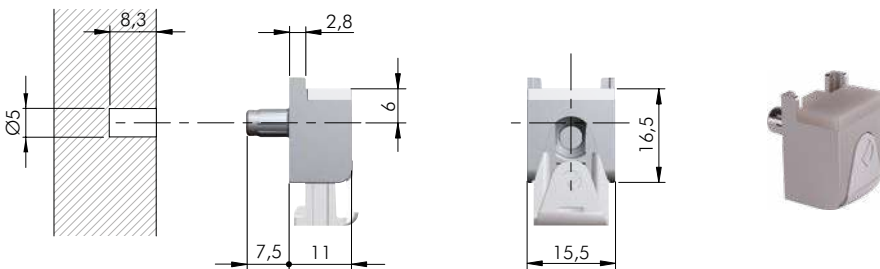
2



= Ø 3 mm
 +

= 2000 pcs.

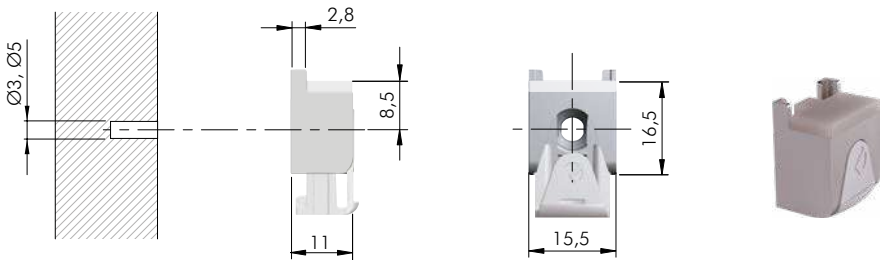
 <b>16019010YA</b> <b>16019010YQ</b> <b>16019011YA</b>	



= Ø 5 mm
 +

= 2000 pcs.

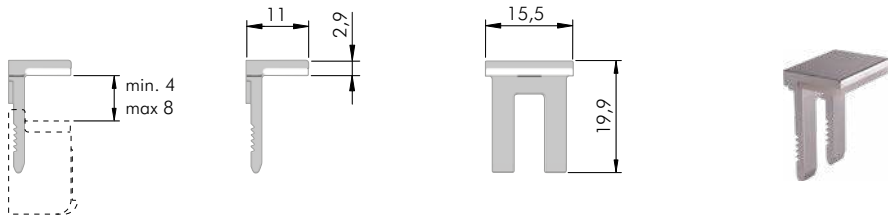
 <b>16019020YA</b> <b>16019024YQ</b> <b>16019021YA</b>	



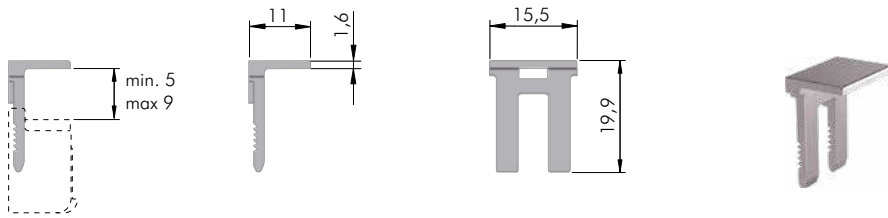
= Ø 3, Ø 5 mm
 +

= 2000 pcs.

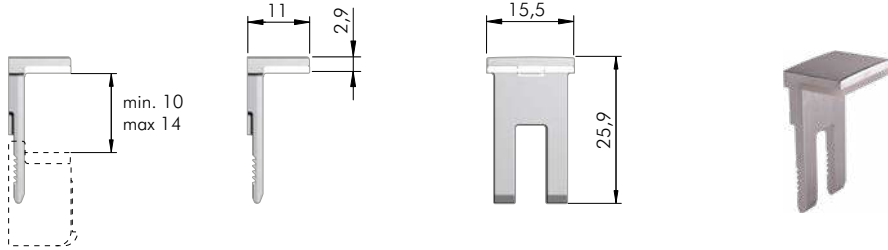
 <b>16019030YA</b> <b>16019033YQ</b> <b>16019031YA</b>	



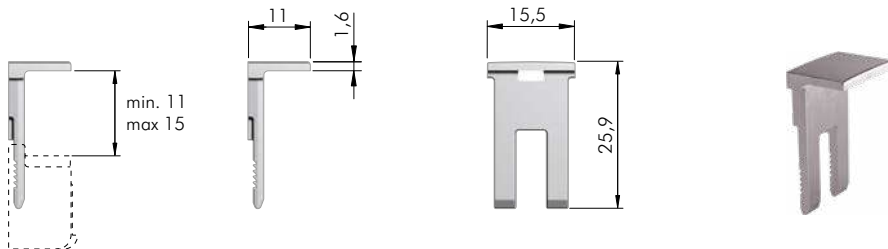
= 4 - 8 mm +   
 ZA SRn  = 2000 pcs.  
  
**16019140YA** **YQ**



= 5 - 9 mm +   
 ZA  = 2000 pcs.  
  
**16019130YA** **YQ**



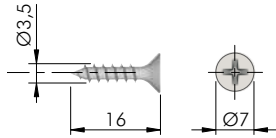
= 10 - 14 mm +   
 ZA SRn  = 2000 pcs.  
  
**16019180YA**



= 11 - 15 mm +   
 ZA  = 1000 pcs.  
  
**16019170YA**

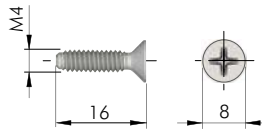
## KUBIC FIXING ACCESSORIES

2



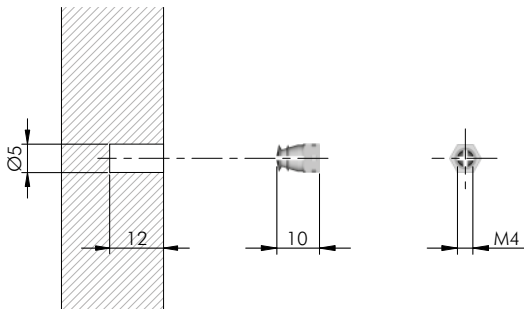
= Ø 3 mm  
 = PZ2  
 = 10.000 pcs.

**60101390ZN**



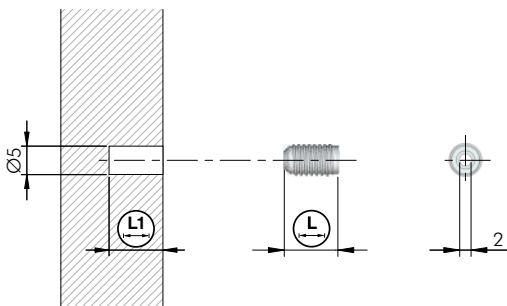
= M4 = PZ2  
 = 5000 pcs.

**60305060ZN**



= Ø 5 mm = M4  
 = 10.000 pcs.

**20502021HL**



= Ø 5 mm  
 = 10.000 pcs.

| |   
**20302020AA** | 9,5 | 11,5



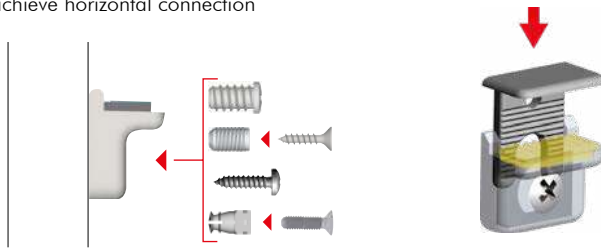
## PULL



5 - 15 mm

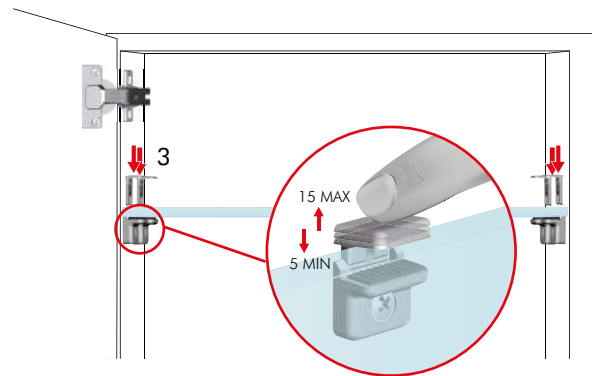
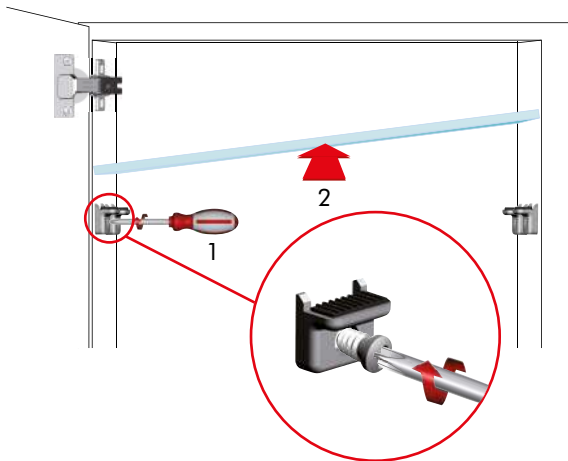
### INSTALLATION

Assembling with alternative fixing options to achieve horizontal connection

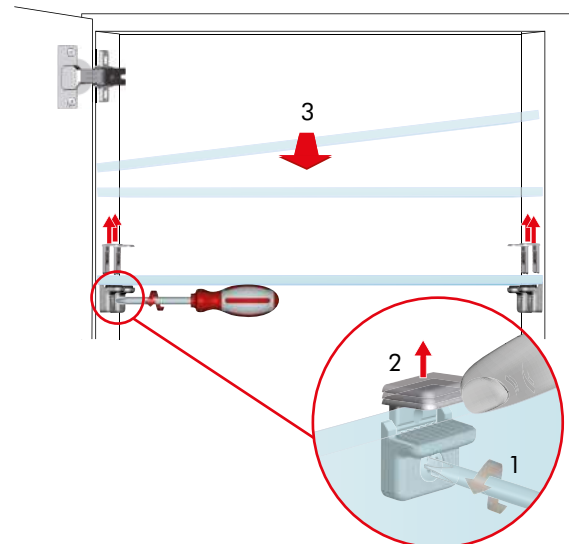
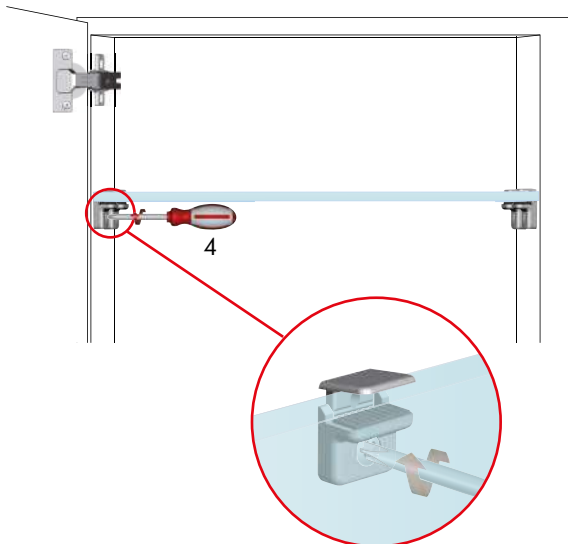


The coloured part is in black soft rubber

### SHELF INSTALLATION

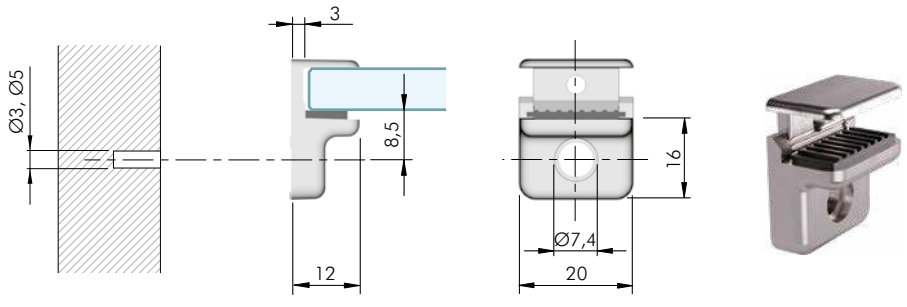


### SHELF REMOVAL FOR NEW REPOSITIONING



## PULL

2



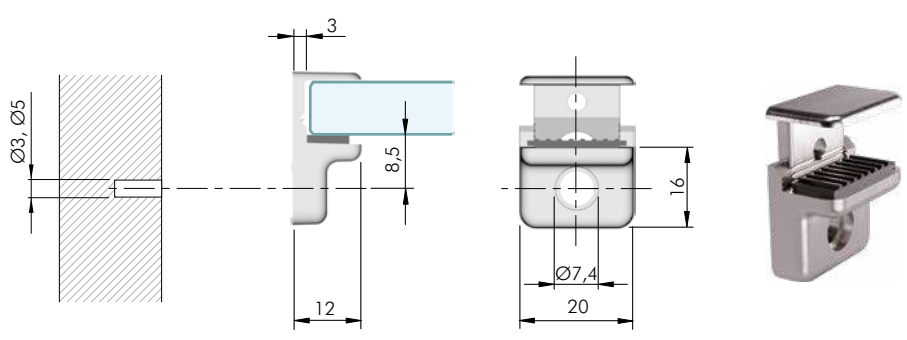
= Ø 3, Ø 5 mm +

= 5 - 8 mm

= 3000 pcs.

---

**16012010YA**



= Ø 3, Ø 5 mm +

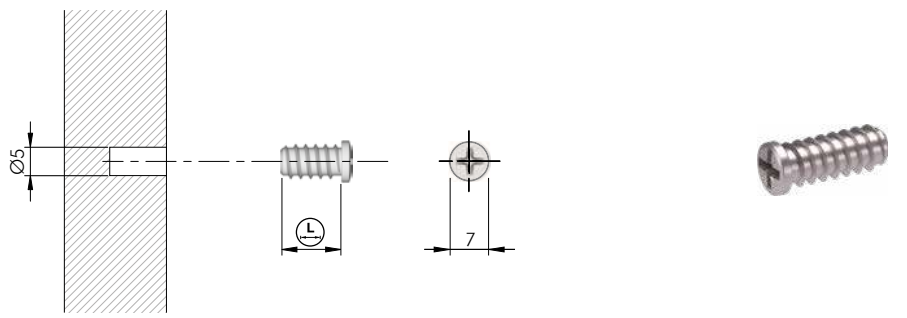
= 10 - 15 mm

= 3000 pcs.

---

**16012100YA**

## PULL FIXING ACCESSORIES



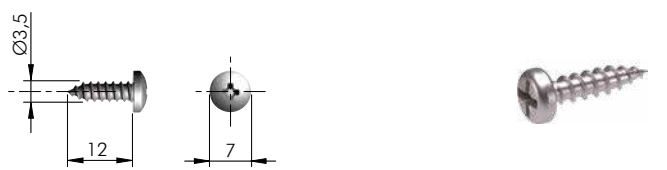
= Ø 5 mm +

= PZ2

= 5000 pcs.

---

<b>60507010YA</b>		10,5
<b>60507020YA</b>		15



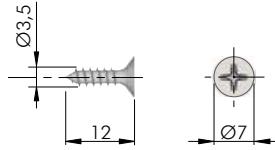
= Ø 3 mm +

= PZ2

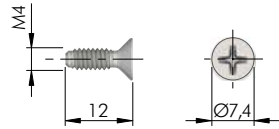
= 15.000 pcs.

---

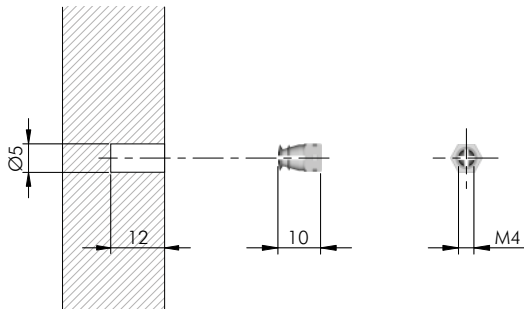
**60103130YA**



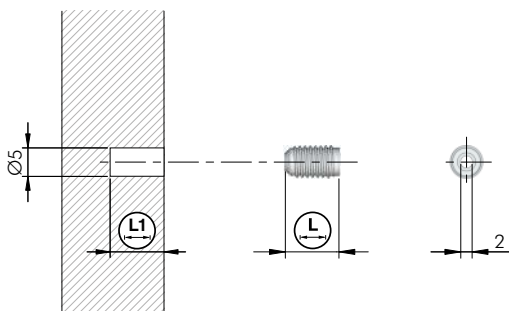
= Ø 3 mm	= PZ2
ST	= 10.000 pcs.
123	
<b>60101380ZN</b>	



= M4	= PZ2
ST	= on request
123	
<b>60305040ZN</b>	



= Ø 5 mm	= M4
BR	= 10.000 pcs.
123	
<b>20502021HL</b>	



= Ø 5 mm	= 10.000 pcs.				
EPh					
123					
<b>20302020AA</b>	<table border="1"> <tr> <td></td> <td></td> </tr> <tr> <td>9,5</td> <td>11,5</td> </tr> </table>			9,5	11,5
9,5	11,5				



# GLASS SHELF SUPPORTS

2