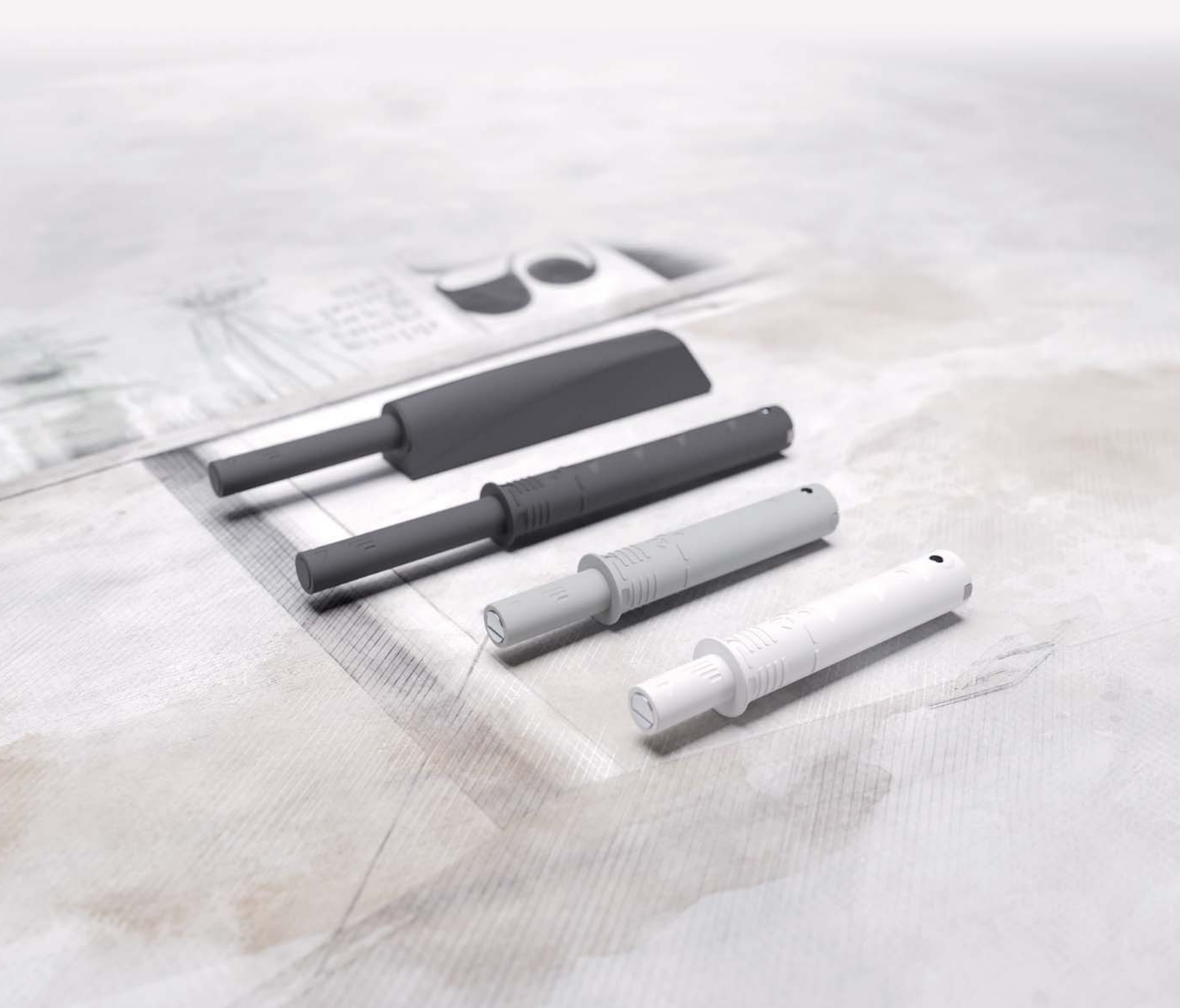


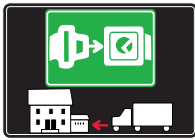
PUSH CATCHES AND MAGNETIC CATCHES





SYMBOLS AND FINISHES LEGEND

SYMBOLS



= SHELF SAFELY LOCKED DURING TRANSPORTATION AND AT HOME.



= ANTI-TURNOVER LOCKING SYSTEM



= NORMS / PATENTS



= PHILLIPS / POZIDRIV



= WITH BUFFER



= PART NO.



= BLADE SLOT



= WITH MAGNET



= PCS. PER PACKAGE



= COMBI SLOT



= NEWTON



= CAPACITY LOADING



= HEXALOBULAR SOCKET



= FRICTION



= WOOD / GLASS THICKNESS



= COUNTERSUNK HEAD



= AUTOMATIC



= HOLE DIAMETER



= PAN HEAD



= DROP DOWN



= DIAMETER



= FLANGE HEAD



= LENGTH



= FLAT HEAD



= STANDARD HINGE



= HEIGHT



= TRILOBULAR SCREW



= KIMANA HINGE



= RIGHT VERSION



= SELF-TAPPING SCREW



= FLAP HINGE



= LEFT VERSION



= EURO THREAD



= WITH SPRING



= SETTING CODE



= METRIC THREAD



= WITHOUT SPRING



= PCS. PER PAD



= PRE-INSERTED SCREW



= REVERSED SPRING



= CUT ON REQUEST



= PRE-INSERTED SCREW AND SPREADING BUSH



= SELF ADHESIVE



= WITH FLANGE

NOTE: Printing errors and omissions may exist despite our best efforts to ensure accuracy. We reserve the right to alter specifications without notice.

MATERIALS

ZA = Zinc Alloy

ST = Steel

HSS = High Speed Steel

BR = Brass

ABS = Acrylonitrile Butadiene Styrene

ZAnk = Nickel-plated Zinc Alloy

STzk = Zinc-plated Steel

AL = Aluminium

WD = Wood

EVA = Ethylene Vinyl Acetate

EP = **ENGINEERING PLASTIC**

+ **EP** = other engineering plastic available on request

SR = **SOFT RUBBER**

+ **SR** = other soft rubber available on request

EPn = Natural Engineering Plastic

EPc = Clear Engineering Plastic

SRn = Natural Soft Rubber

EPw = White Engineering Plastic

EPg = Grey Engineering Plastic

SRw = White Soft Rubber

EPwg = Water Green Engineering Plastic

EPa = Anthracite Engineering Plastic

SRb = Black Soft Rubber



FINISHES



+ **OTHER FINISHES AVAILABLE ON REQUEST**

| PART NO. | FINISHES | PART NO. | FINISHES | PART NO. | FINISHES |
|----------|----------------------|----------|--------------------------|----------|------------------------------|
| 00 | Insignificant finish | IF | Middle Grey | RO | Red |
| AA | Natural | IJ | Light Grey | UT | T-Met 9007 |
| AB | White | IL | Grey 20 | UZ | T-Met |
| AE | White 9010 | IN | Grey met. 26 | WA | Bronzed |
| EA | Black | JB | Bright Aluminium | WI | Burnished |
| EC | Matt Black | JC | Aluminium - Chrome | XD | Satin-finished Steel |
| EE | Anthracite | JD | Matt Aluminium | YA | Nickel-plated |
| EW | Grey 9007 | JE | Satin-finished Aluminium | YB | Bright Nickel-plated |
| FU | Gunmetal | JF | Aluminium - Brass | YC | Matt Nickel-plated |
| FV | Gunmetal V52 | JG | Aluminium 5 | YD | Satin-finished Nickel-plated |
| GR | Raw | JL | Aluminium PE 11 | YQ | Black Nickel |
| HA | Brass-Plated | JM | Aluminium RAL 9006 | Z9 | Black Zinc |
| HH | Tropicalized | KA | Chrome | ZA | Zinc alloy |
| HL | Raw Brass | KB | Bright Chrome | ZN | Zinc-plated |
| HX | Graphite | KC | Matt Chrome | ZQ | Bright Gold |
| IA | Grey | LD | Brown 8019 | ZY | Titanium |
| IB | Metallic Grey | NN | Metallic Beige | ZZ | Clear |


Table of contents

| | |
|---|------|
| K PUSH TECH | 9.1 |
| ADAPTER HOUSING AND PLATE FOR SHORT AND MEDIUM VERSIONS | 9.7 |
| ADAPTER HOUSING AND PLATE FOR LONG VERSION | 9.10 |
| K PUSH TECH INSTALLING TOOL | 9.12 |
| DRILLING JIG FOR K PUSH TECH | 9.13 |
| K LOCK | 9.15 |
| K PUSH TECH AND K LOCK DOOR PLATES | 9.18 |
| PLATE FOR K PUSH WITH ADAPTER HOUSING FOR CURVED DOORS | 9.20 |

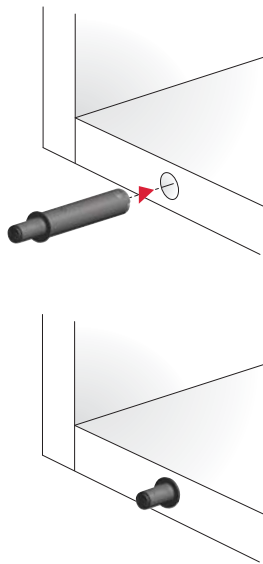


K PUSH TECH

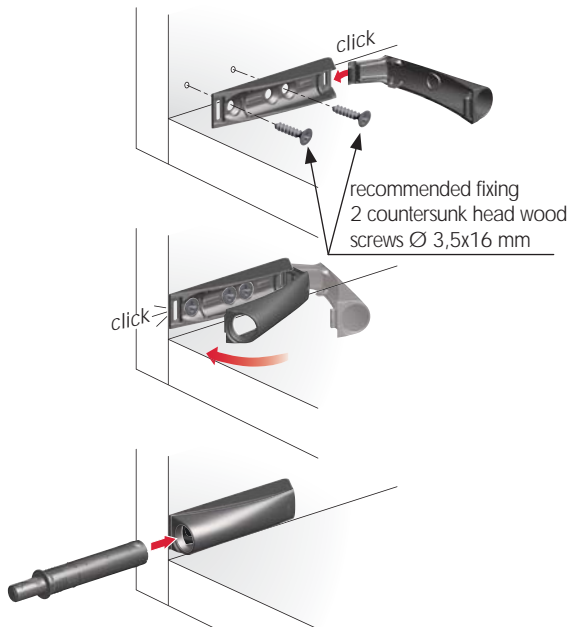


PATENT PENDING
REGISTERED DESIGN
Certificates available on request. 

INSTALLATION TO BE EMBEDDED INSIDE THE PANEL

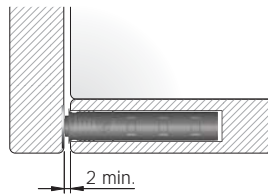


INSTALLATION THROUGH ADAPTER HOUSING

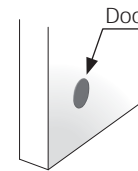


[Back to table of contents](#)

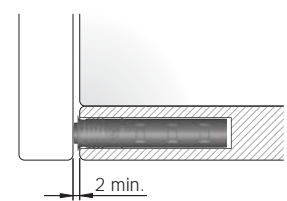
WITH MAGNET
for cabinets using **unsprung
hinges** or **negative
hinges**.



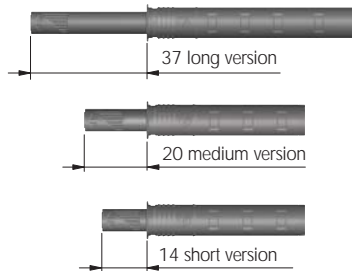
For details refer to
"K PUSH TECH AND
K LOCK DOOR PLATES".



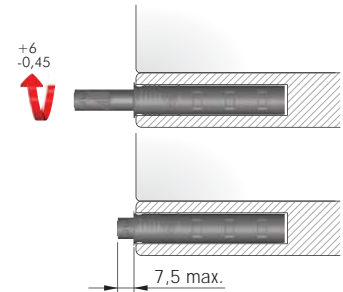
WITH BUFFER
for cabinets using **sprung hinges**.



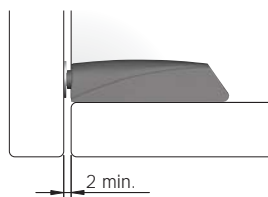
VERSIONS



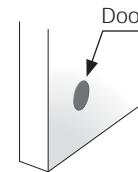
ADJUSTMENTS



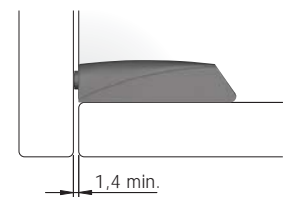
WITH MAGNET
for cabinets using **unsprung hinges**
or **negative hinges**.



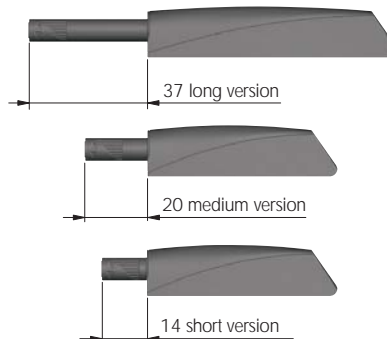
For details refer to
"K PUSH TECH AND
K LOCK DOOR PLATES".



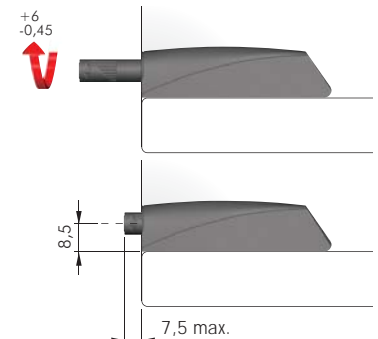
WITH BUFFER
for cabinets using **sprung hinges**.



VERSIONS



ADJUSTMENTS



PUSH CATCHES AND MAGNETIC CATCHES

APPLICATION WITH SPRUNG HINGES

| | 14 | 20 | 37 |
|----------------|----|----|----|
| Adjacent doors | NO | NO | OK |
| Single door | OK | OK | OK |

APPLICATION WITH UNSPRUNG HINGES

| Door dimensions | Range weight | Indicative α° end door position | | | | |
|------------------|--------------|---|----------------|----------------|----------------|----------------|
| | | 14 | 20 | 20 (STRONG) | 37 | 37 (STRONG) |
| Small door size | 2 - 5 kg | $\pm 30^\circ$ | $\pm 37^\circ$ | $\pm 40^\circ$ | $\pm 55^\circ$ | $\pm 70^\circ$ |
| Medium door size | 5 - 8 kg | $\pm 25^\circ$ | $\pm 30^\circ$ | $\pm 35^\circ$ | $\pm 45^\circ$ | $\pm 50^\circ$ |
| Large door size | 15 - 18 kg | $\pm 20^\circ$ | $\pm 28^\circ$ | $\pm 30^\circ$ | $\pm 40^\circ$ | $\pm 45^\circ$ |
| Maxi door size | 30 - 35 kg | - | $\pm 20^\circ$ | $\pm 25^\circ$ | $\pm 30^\circ$ | $\pm 35^\circ$ |

Small and Medium door size tested with 2 hinges. Large and Maxi size doors tested with 5 hinges. Please note that test results are indicative. End door position may vary depending on hinge brand.

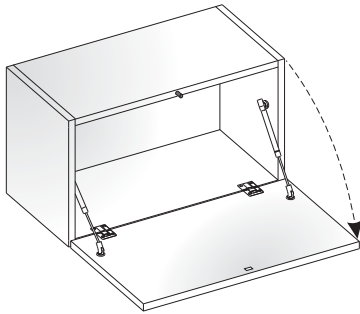
9 APPLICATION WITH NEGATIVE HINGES

| Door dimensions | Range weight | Indicative α° end door position | | | | |
|------------------|--------------|---|----------------|----------------|-----------------|-----------------|
| | | 14 | 20 | 20 (STRONG) | 37 | 37 (STRONG) |
| Small door size | 2 - 5 kg | $\pm 85^\circ$ | $\pm 90^\circ$ | $\pm 95^\circ$ | Over 95° | Over 95° |
| Medium door size | 5 - 8 kg | $\pm 70^\circ$ | $\pm 85^\circ$ | $\pm 90^\circ$ | Over 95° | Over 95° |
| Large door size | 15 - 18 kg | $\pm 40^\circ$ | $\pm 50^\circ$ | $\pm 60^\circ$ | $\pm 70^\circ$ | $\pm 80^\circ$ |
| Maxi door size | 30 - 35 kg | - | $\pm 35^\circ$ | $\pm 40^\circ$ | $\pm 50^\circ$ | $\pm 60^\circ$ |

Small and Medium door size tested with 2 hinges. Large and Maxi size doors tested with 5 hinges. Please note that test results are indicative. End door position may vary depending on hinge brand.

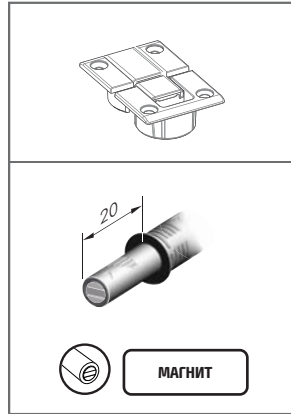


DROP DOWN DOORS

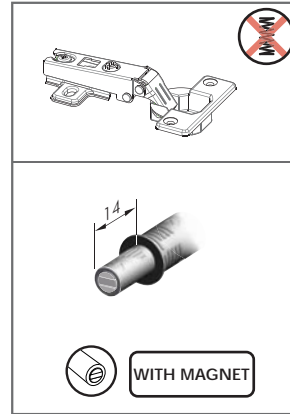


Please note that all technical specifications are based on cabinets assembled only with Italiana Ferramenta products.

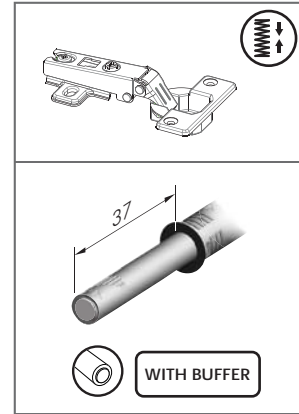
APPLICATION WITH: KIMANA HINGES



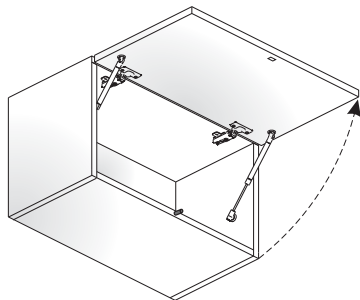
APPLICATION WITH: UNSPRUNG HINGES



APPLICATION WITH: SPRUNG HINGES

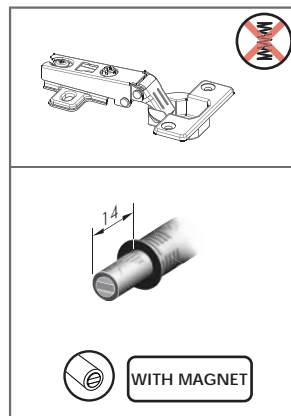


LIFT UP DOORS



Please note that all technical specifications are based on cabinets assembled only with Italiana Ferramenta products.

APPLICATION WITH: UNSPRUNG HINGES

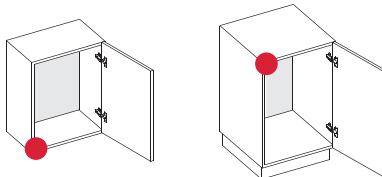


SUGGESTED INSTALLING SPOTS FOR K PUSH TECH

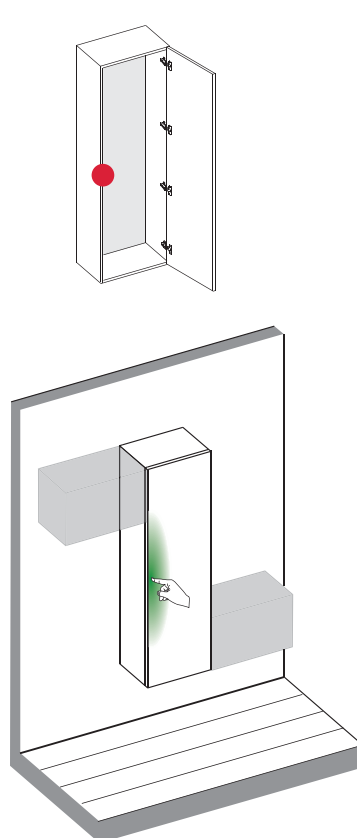
● = K PUSH TECH suggested spot

● = Activating area of K PUSH TECH

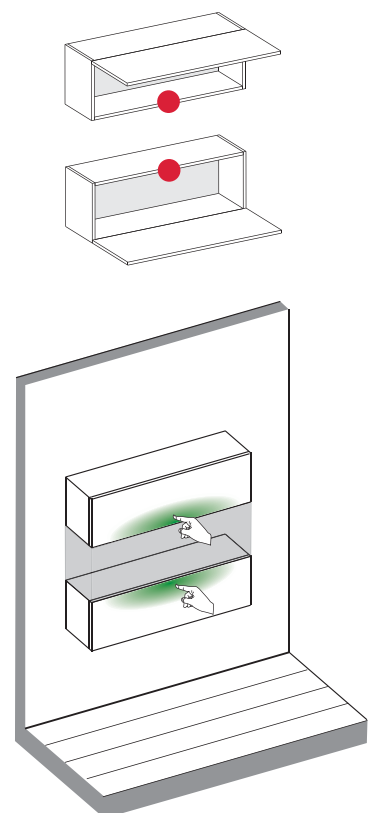
BASE CABINETS AND UPPER CABINETS WITH HINGED DOORS



TALL CABINETS WITH HINGED DOORS

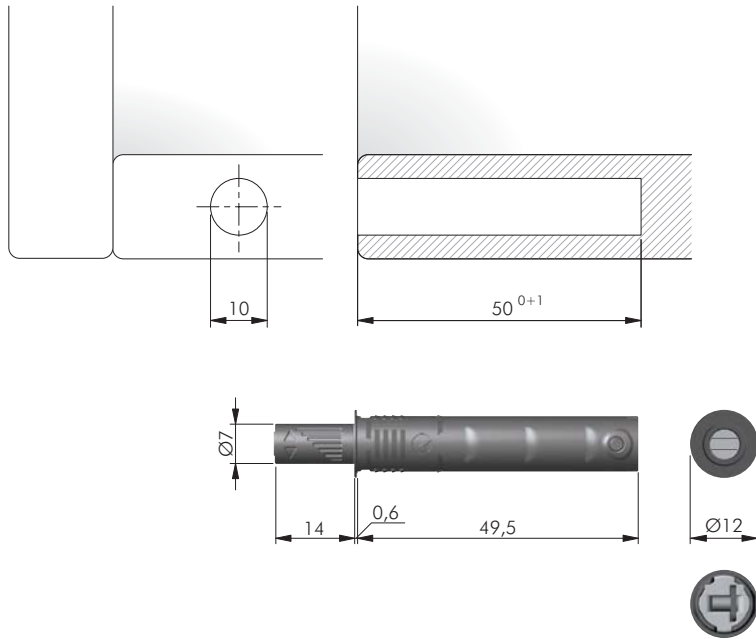






BASE CABINETS AND UPPER CABINETS WITH FLAP DOORS







PUSH CATCHES AND MAGNETIC CATCHES



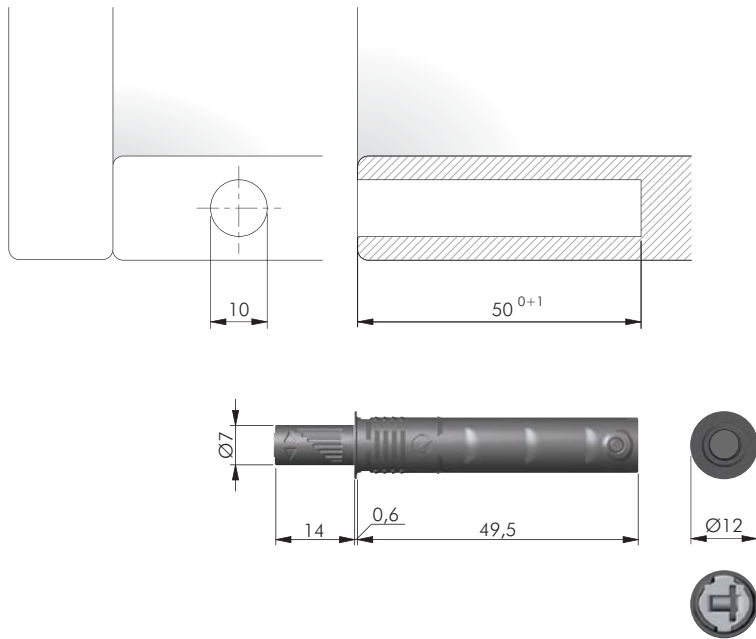



 = 100 pcs.










57002020**EE**

57002020**IJ**

57002020**AB**






 = 100 pcs.

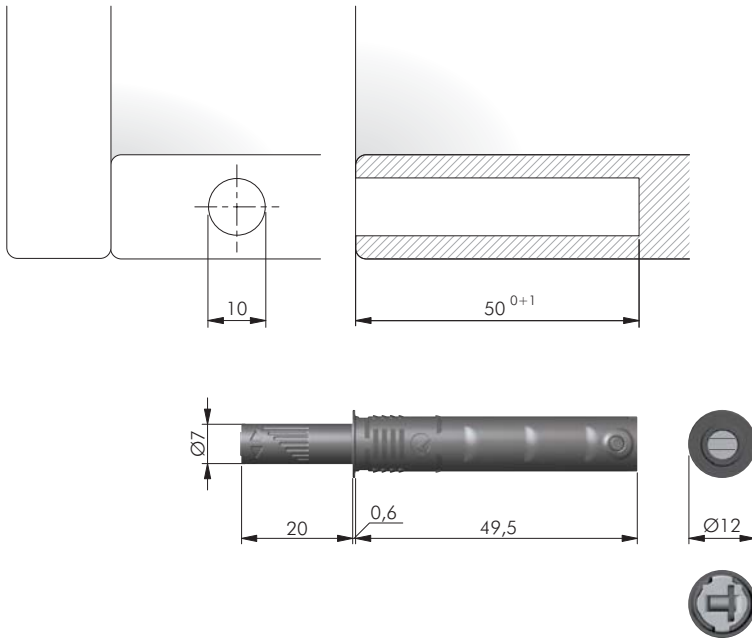
57002040**EE**

57002040**IJ**

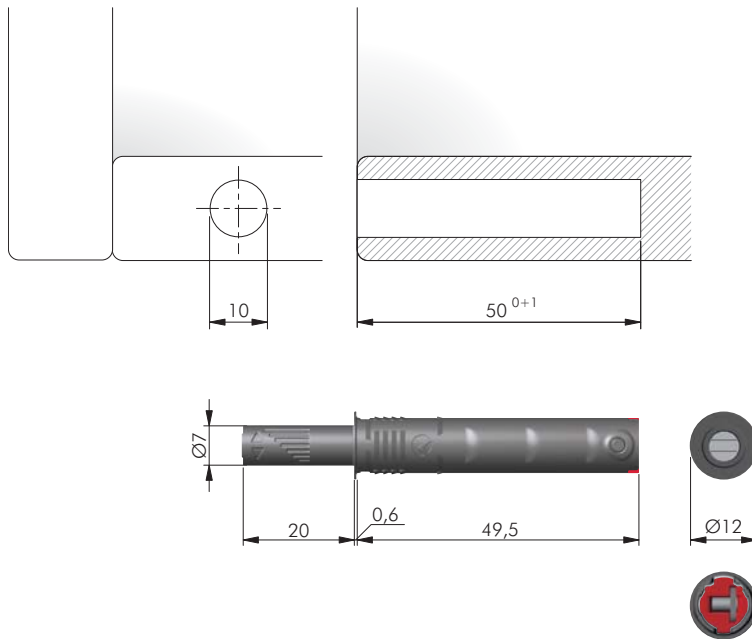
57002040**AB**



9



| | | | | |
|--|------------|----|--|------------|
| | ST | EP | | = 100 pcs. |
| | 57004020EE | | | |
| | 57004020IJ | | | |
| | 57004020AB | | | |

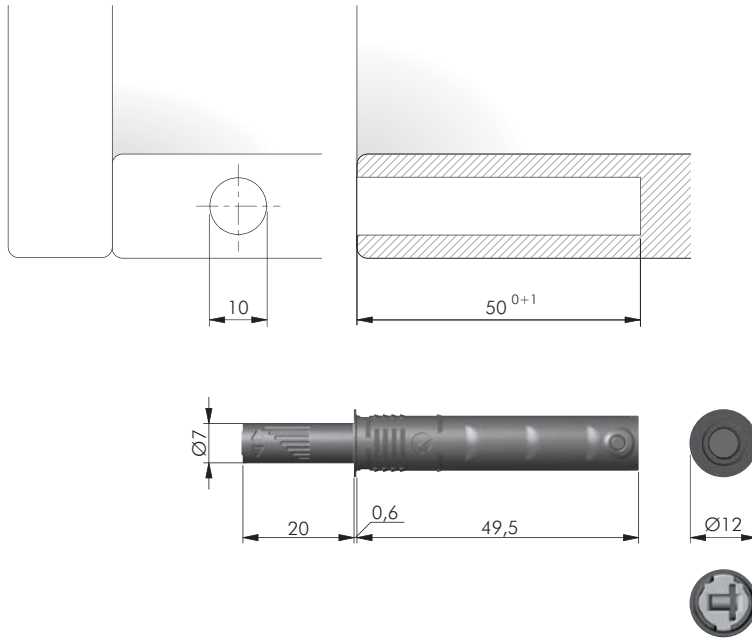







| | | | | |
|--|-----------------------|----|--|------------|
| | ST | EP | | = 100 pcs. |
| | STRONG VERSION | | | |
| | 57004060EE | | | |
| | 57004060IJ | | | |
| | 57004060AB | | | |







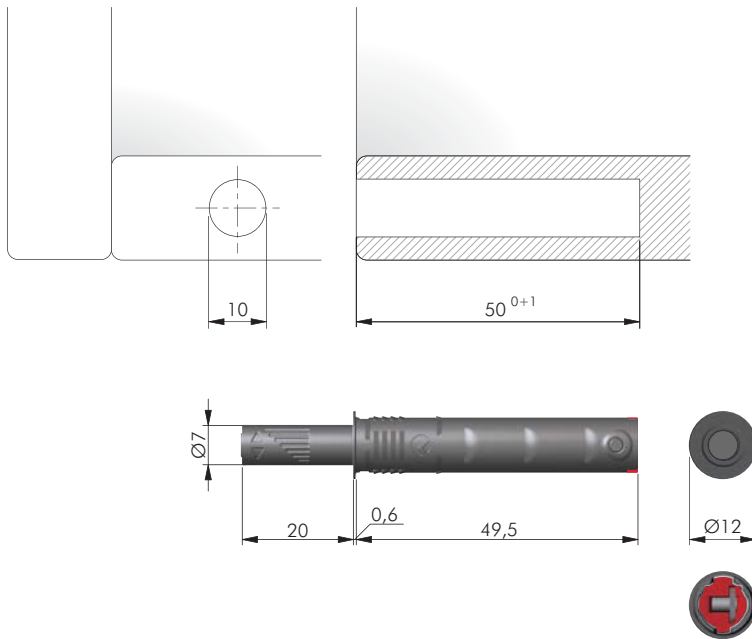
PUSH CATCHES AND MAGNETIC CATCHES














 = 100 pcs.

57004040EE
57004040IJ
57004040AB







 = 100 pcs.

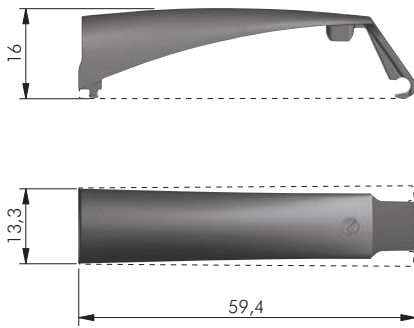
57004080EE
57004080IJ
57004080AB



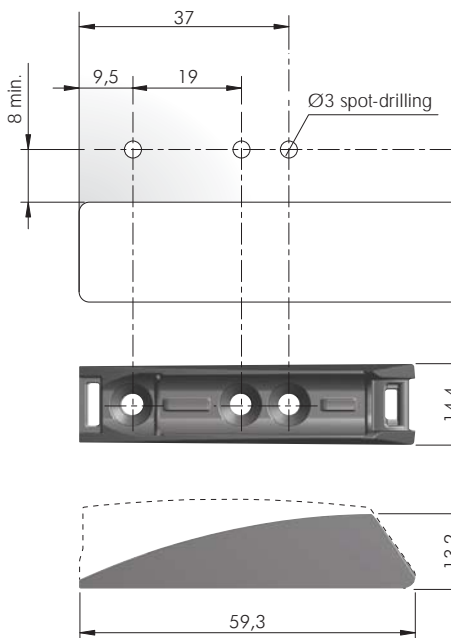
9



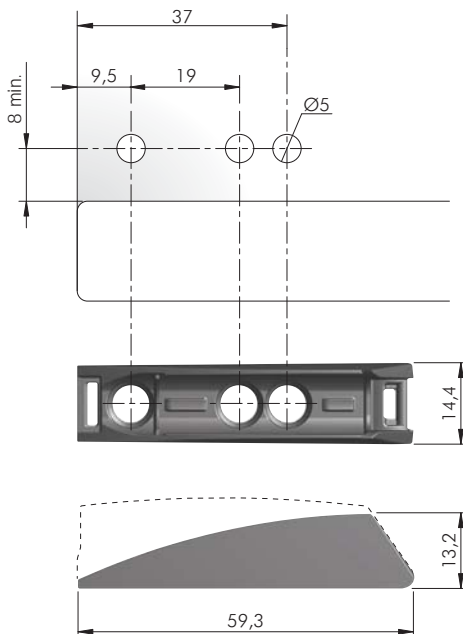
ADAPTER HOUSING AND PLATE FOR **SHORT** AND **MEDIUM** VERSIONS



| | |
|------------|------------|
| EP | = 100 pcs. |
| | |
| 57015020EE | |
| 57015020IJ | |
| 57015020AB | |



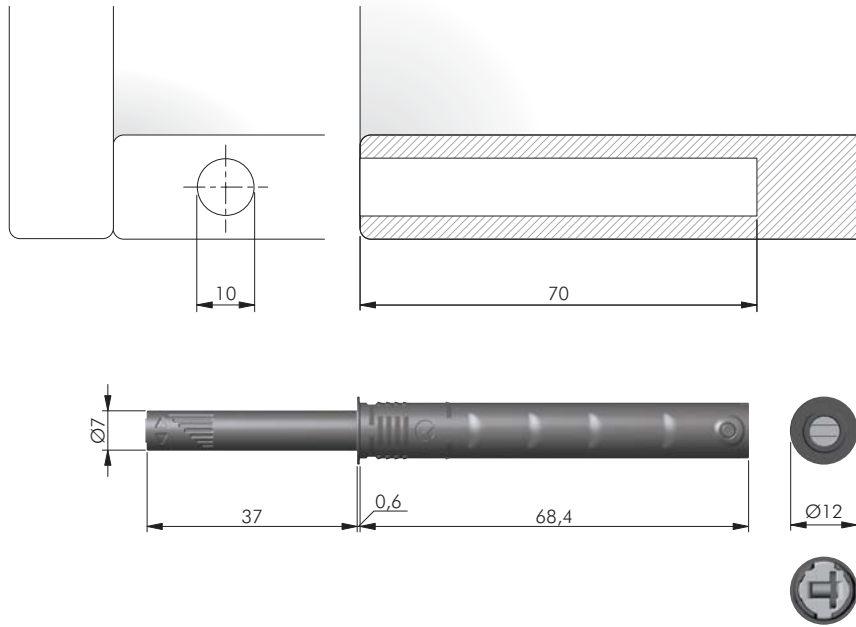
| | |
|------------|------------|
| = Ø 3 mm | |
| EP | = 100 pcs. |
| | |
| 57015040EE | |
| 57015040IJ | |
| 57015040AB | |









| | |
|------------|------------|
| = Ø 5 mm | |
| EP | = 100 pcs. |
| | |
| 57015060EE | |
| 57015060IJ | |
| 57015060AB | |



PUSH CATCHES AND MAGNETIC CATCHES



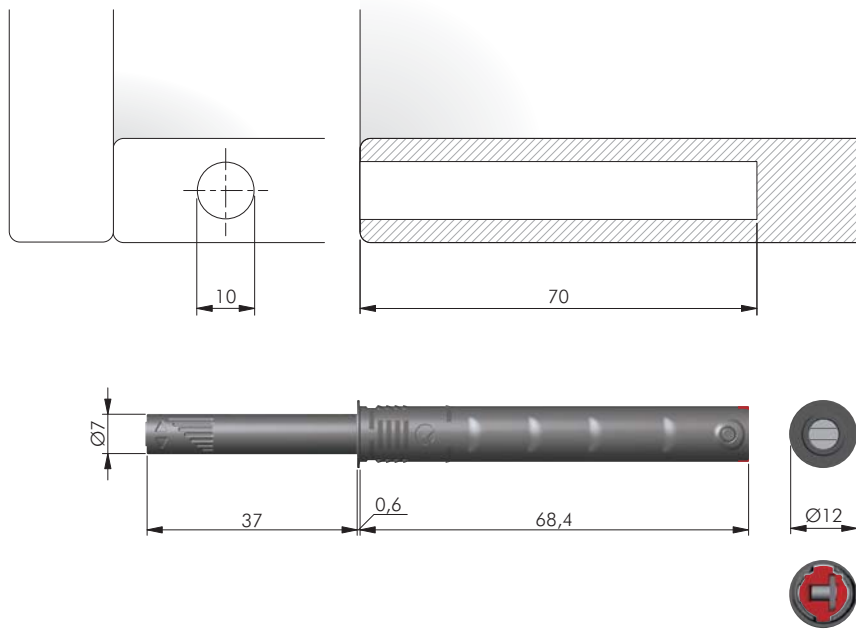



 = 100 pcs.









57008020EE



57008020UJ

57008020AB







 = 100 pcs.

STRONG VERSION

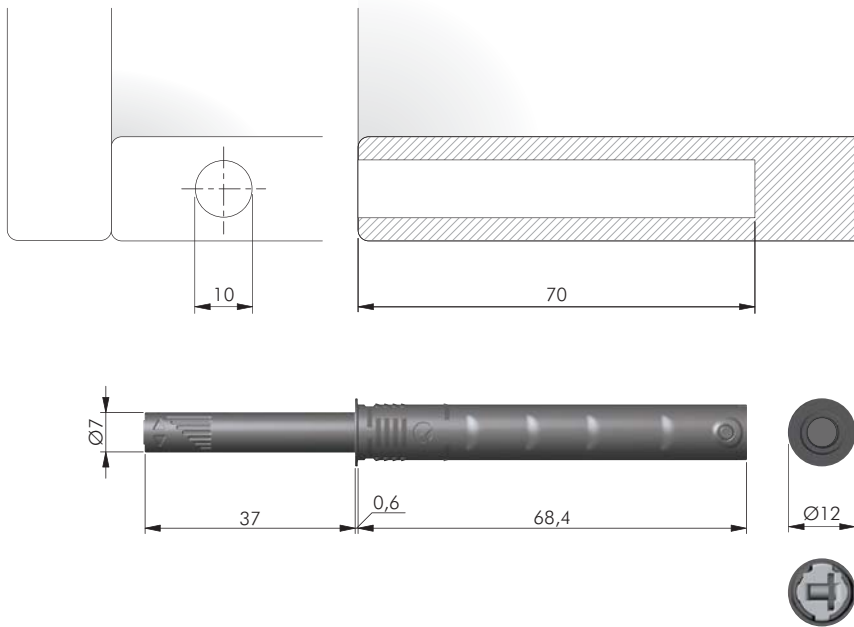
57008060EE






57008060UJ



57008060AB



9



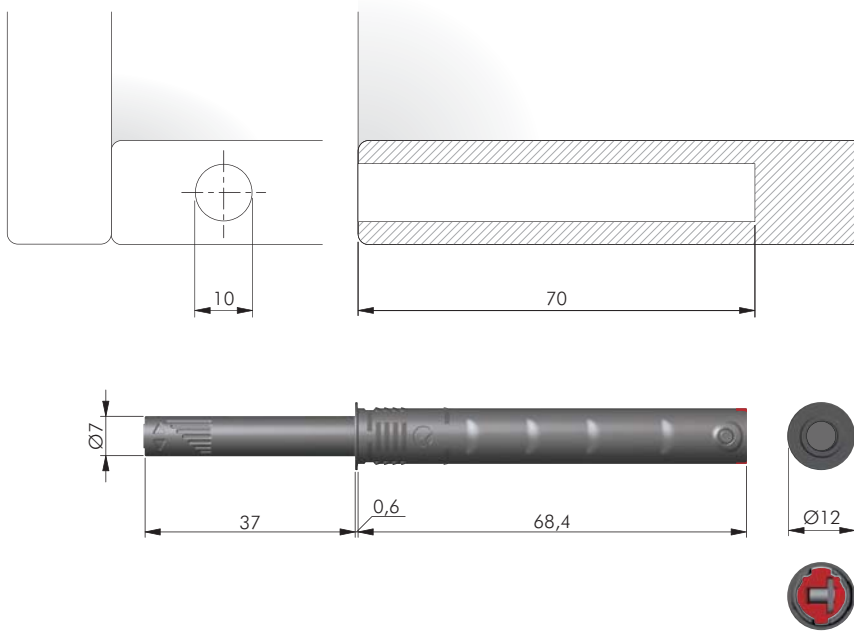




 = 100 pcs.









57008040EE



57008040IJ

57008040AB




STRONG VERSION
 = 100 pcs.

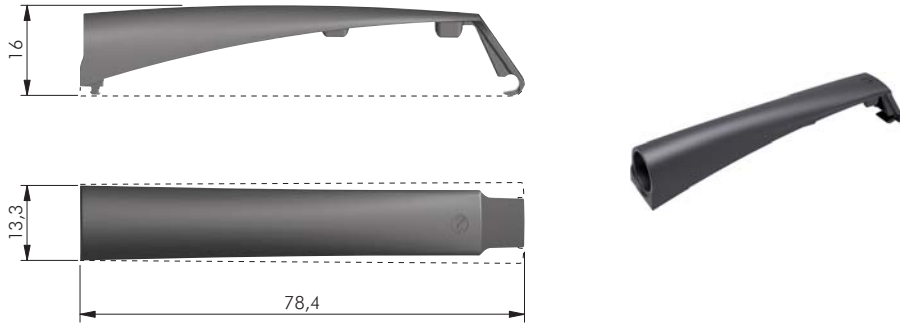
57008080EE


57008080IJ



57008080AB

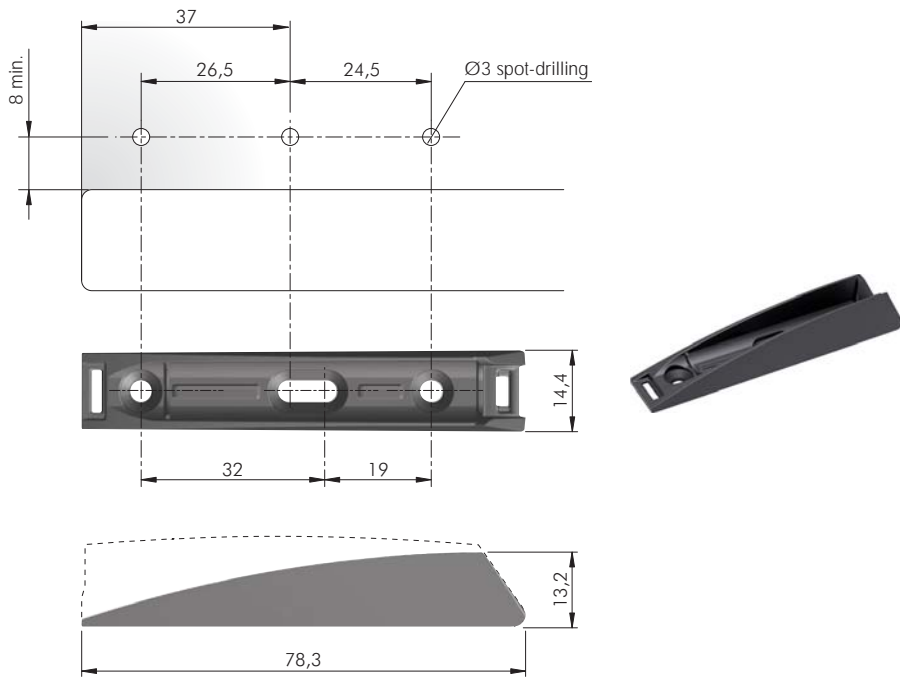




ADAPTER HOUSING AND PLATE FOR LONG VERSION






EP  = 100 pcs.

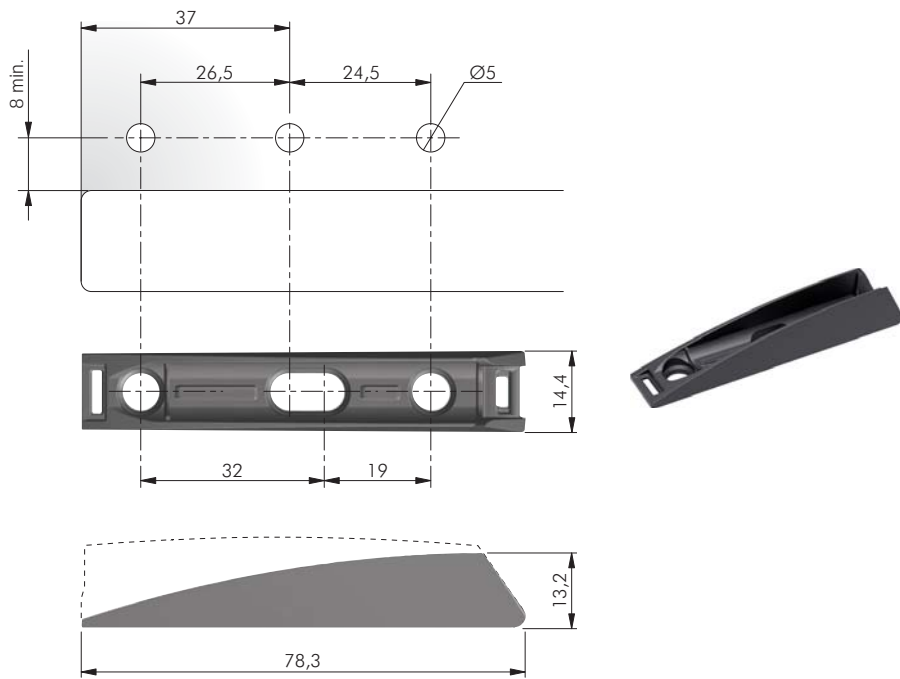
 
57025020EE
57025020IJ
57025020AB






  = Ø 2,5 mm



EP  = 100 pcs.

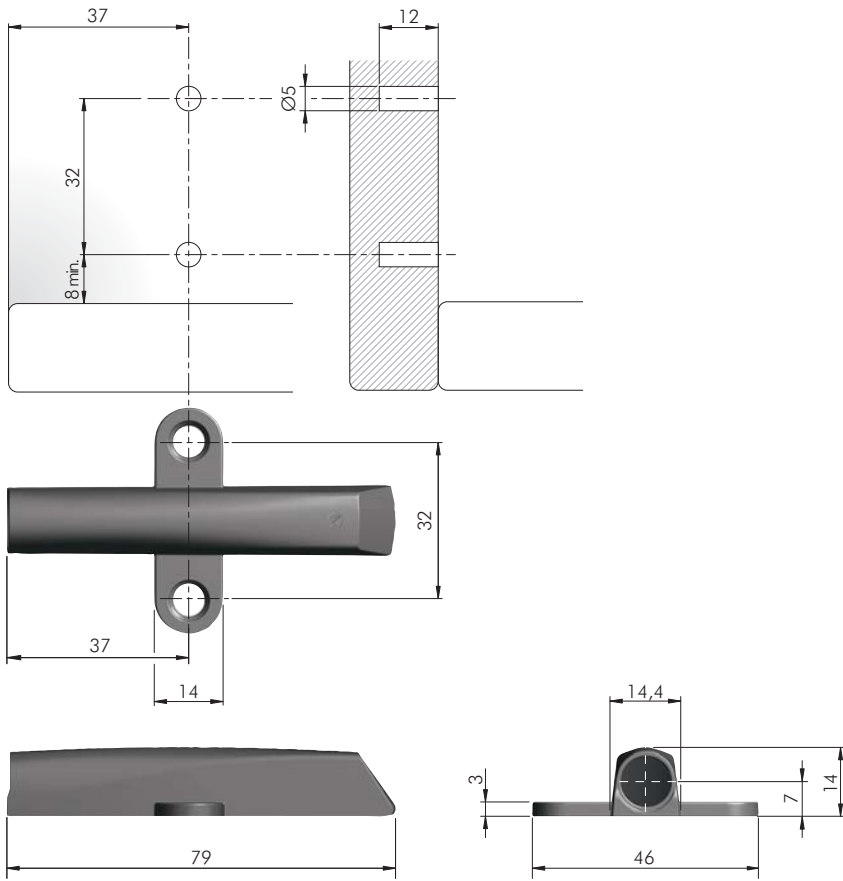
 
57025040EE
57025040IJ
57025040AB



  = Ø 5 mm

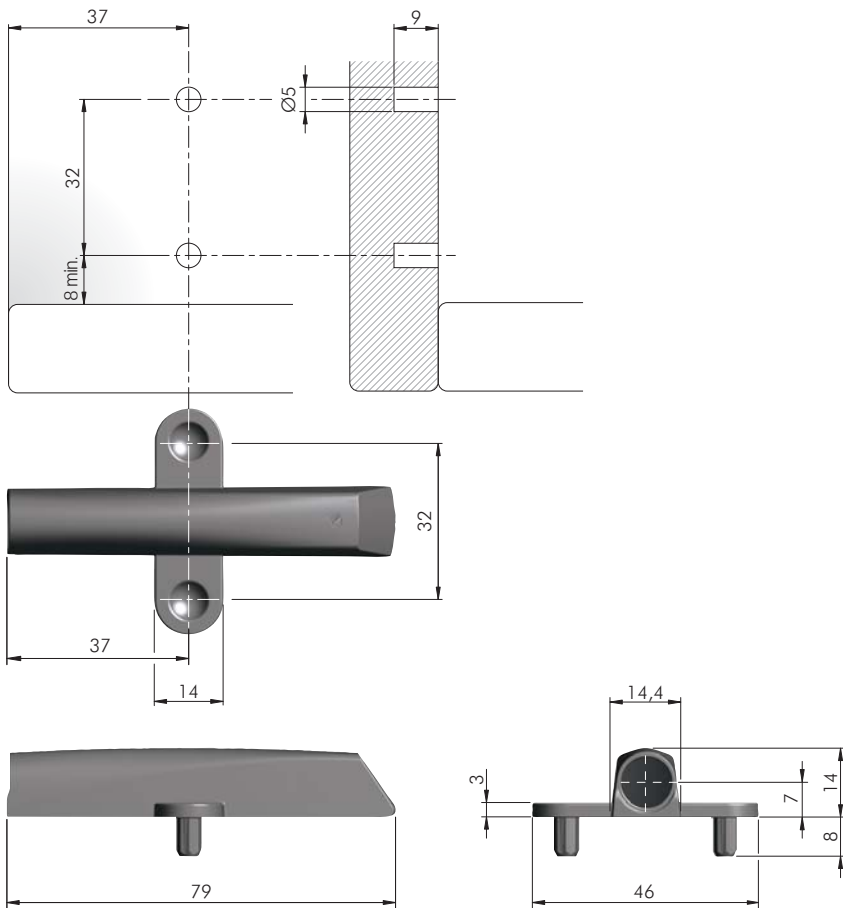
EP  = 100 pcs.

 
57025060EE
57025060IJ
57025060AB



= Ø 5 mm
 = 100 pcs.

57010080EE
57010080IJ
57010080AB



= Ø 5 mm
 = 100 pcs.

57010100EE
57010100IJ
57010100AB



FIXING ACCESSORY FOR K PUSH TECH ADAPTER PLATES PART NO. 57015040, 57025040



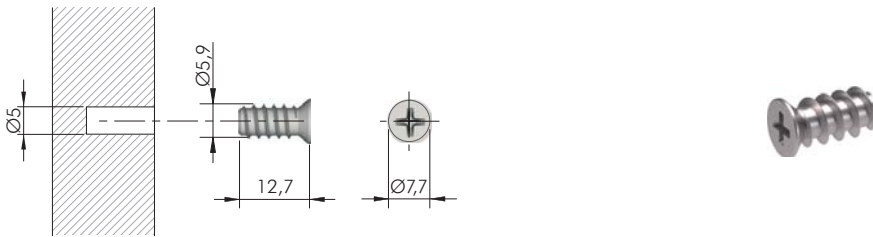
= Ø 3 mm +

= PZ2

= 10.000 pcs.

60101390ZN

FIXING ACCESSORY FOR K PUSH TECH ADAPTER PLATES PART NO. 57015060, 57025060, 57010080



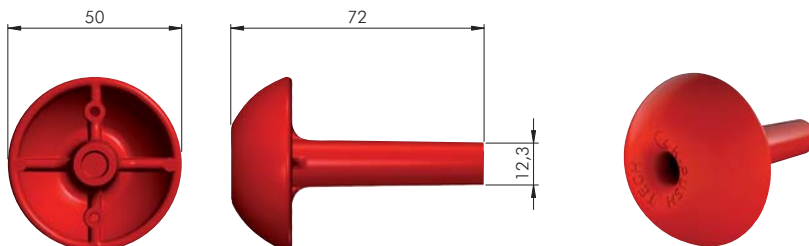
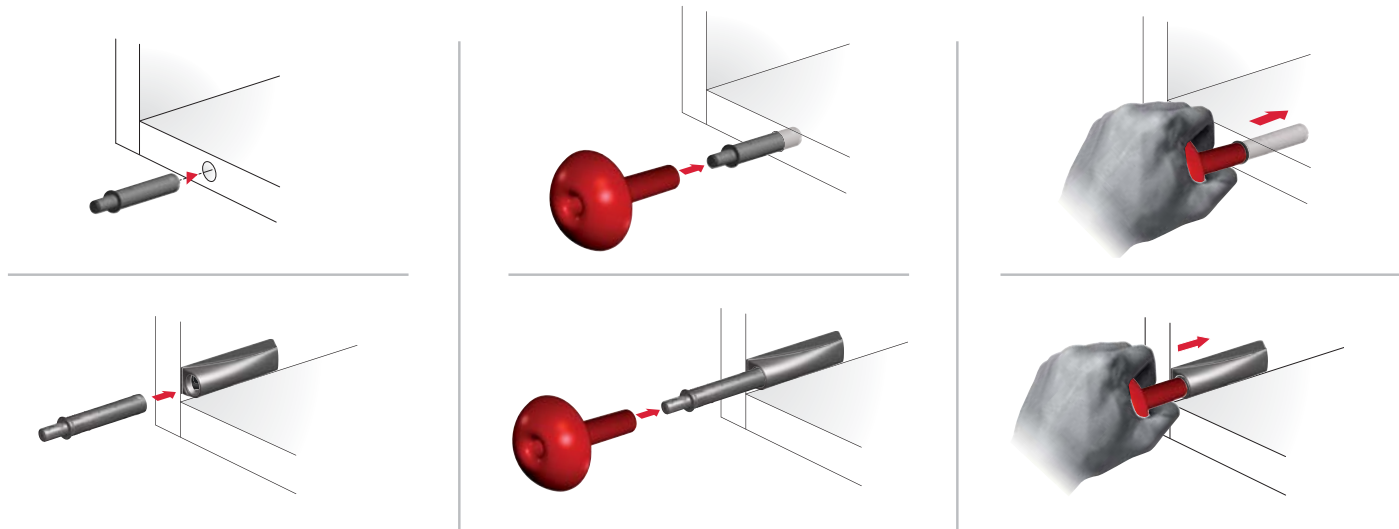
= Ø 5 mm +

= PZ2

= 5000 pcs.

60501050YA

K PUSH TECH INSTALLING TOOL



= on request

57112000RO

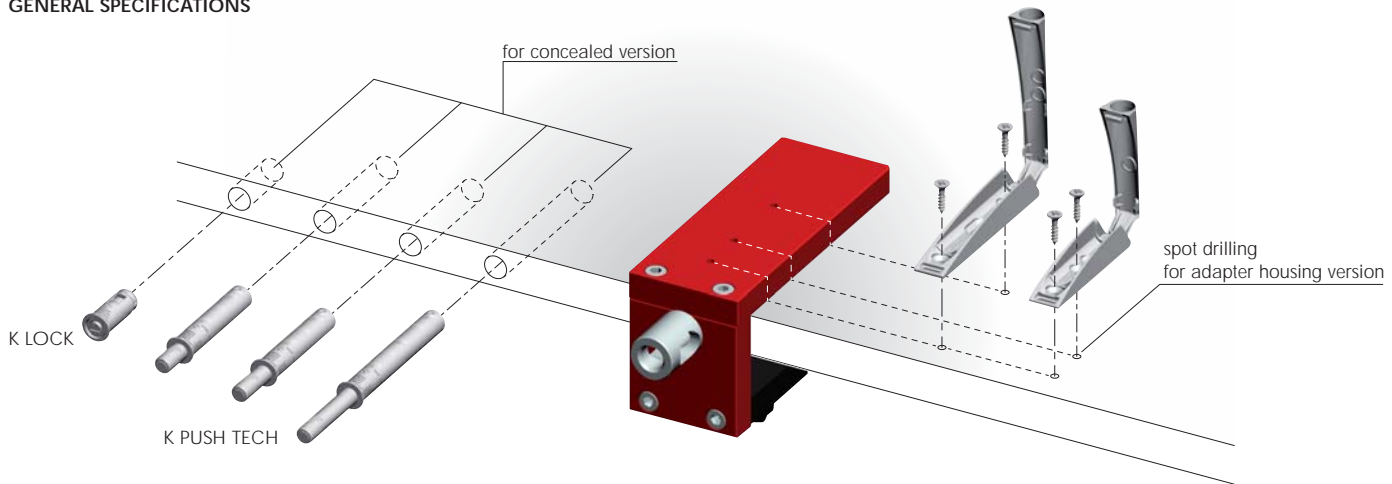


DRILLING JIG FOR K PUSH TECH

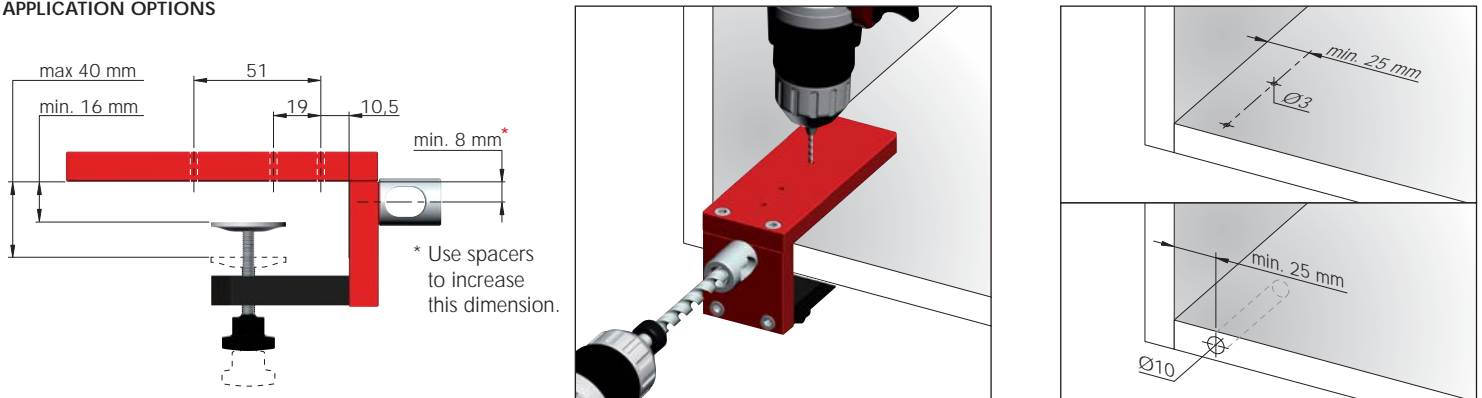


16 - 40 mm 

GENERAL SPECIFICATIONS

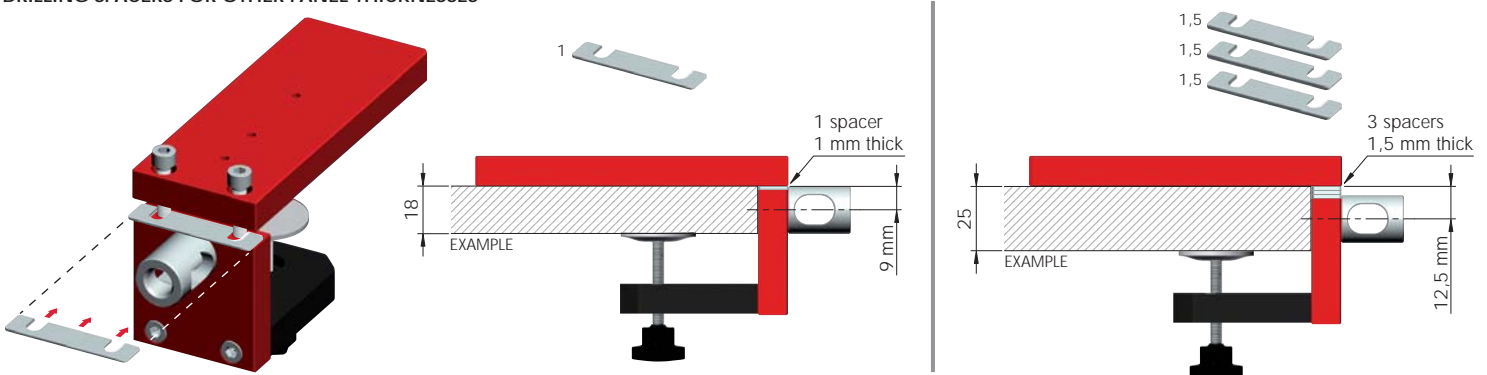


APPLICATION OPTIONS



9

DRILLING SPACERS FOR OTHER PANEL THICKNESSES



[Back to table of contents](#)

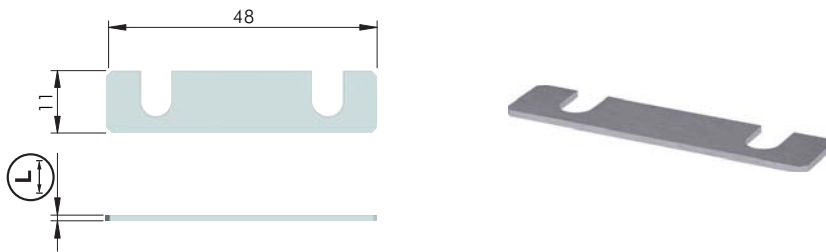
K PUSH TECH DRILLING JIG FOR PANEL THICKNESS 16 AND 18 mm



| | | | |
|------------|----|----|--------------|
| AL | ST | EP | = on request |
| | | | |
| YOJG0110RO | | | |

NOTE: The product code includes all the components shown in the picture.

K PUSH TECH DRILLING JIG ACCESSORIES



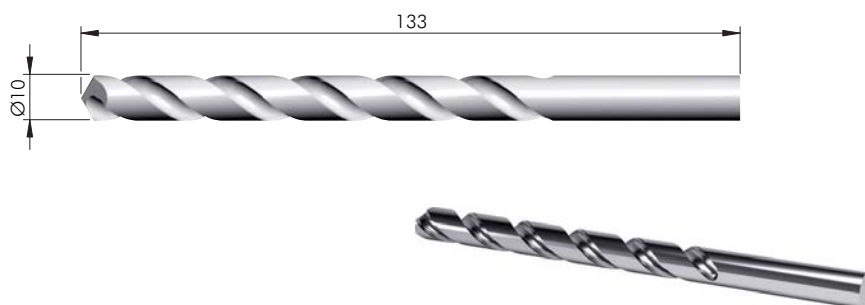
| | |
|------------|--------------|
| AL | = on request |
| | |
| YOJG0523GR | 1 |
| YOJG0524GR | 1,5 |

DRILLING JIG DEPTH STOP COLLARS



| | |
|------------|--------------|
| ST | = on request |
| | |
| YOJG051800 | Ø10 |

DRILL BIT



| | |
|------------|--------------|
| HSS | = on request |
| | |
| YOJG052900 | |

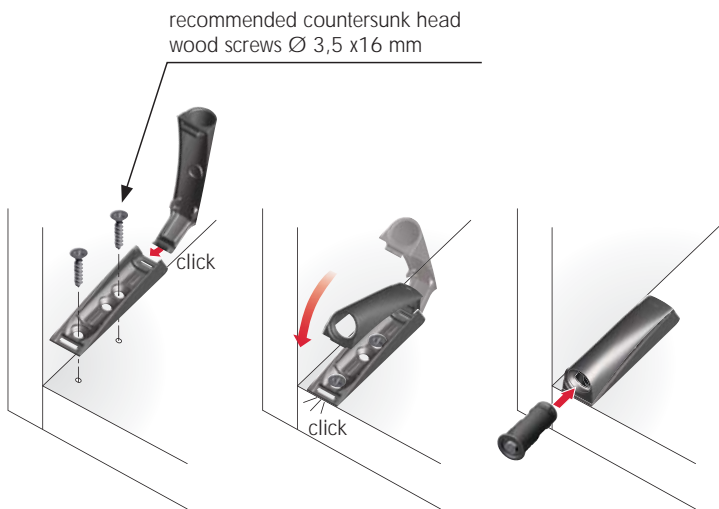
NOTE: For drilling jig we recommend to use precision-ground steel drill bit HSS-G.



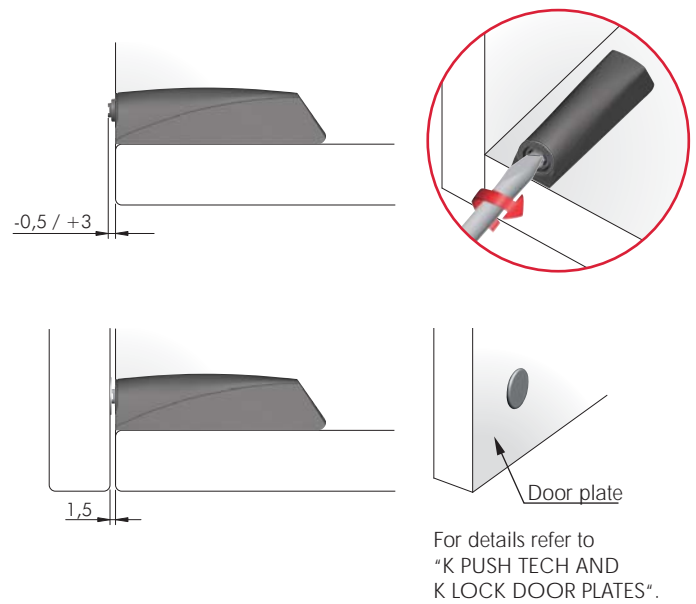
K LOCK



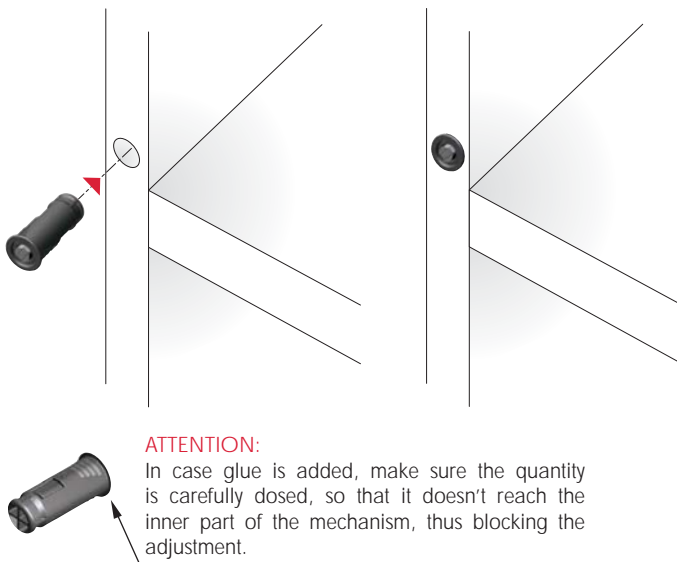
INSTALLATION THROUGH ADAPTER HOUSING



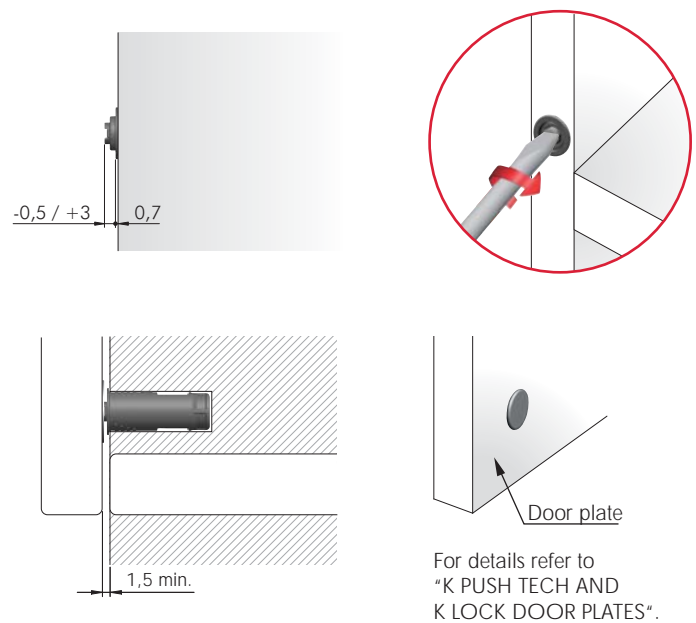
ADJUSTMENT



INSTALLATION TO BE EMBEDDED INSIDE THE PANEL

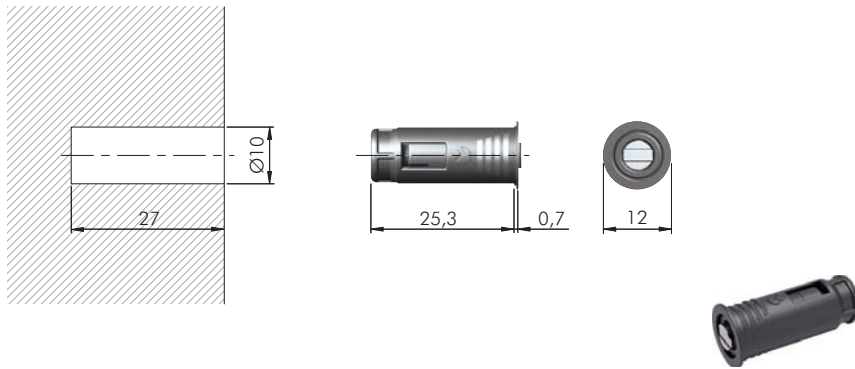


ADJUSTMENT

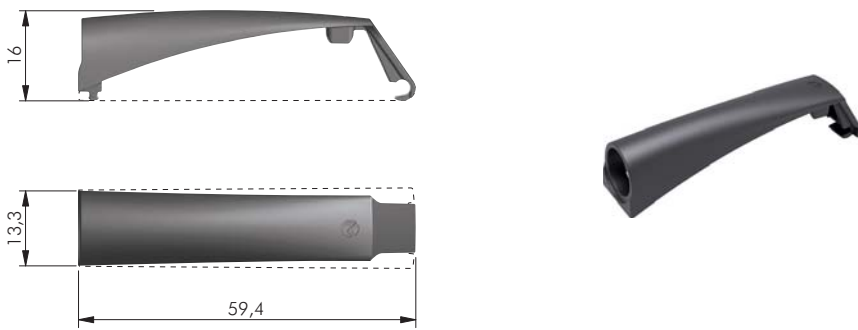




PUSH CATCHES AND MAGNETIC CATCHES

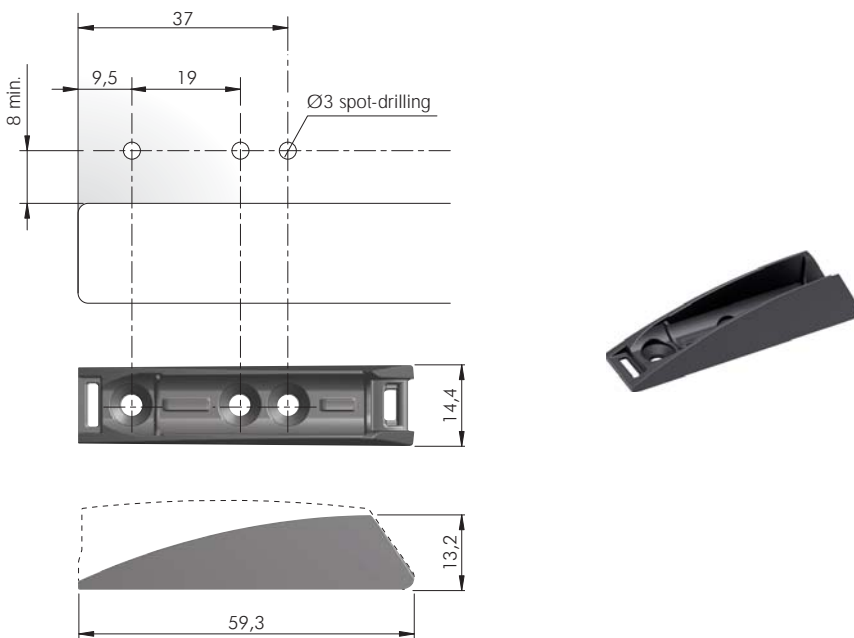


| | | |
|------------|----|------------|
| | | = 100 pcs. |
| ST | EP | |
| | | |
| 55007010EE | | |
| 55007010IJ | | |
| 55007010AB | | |

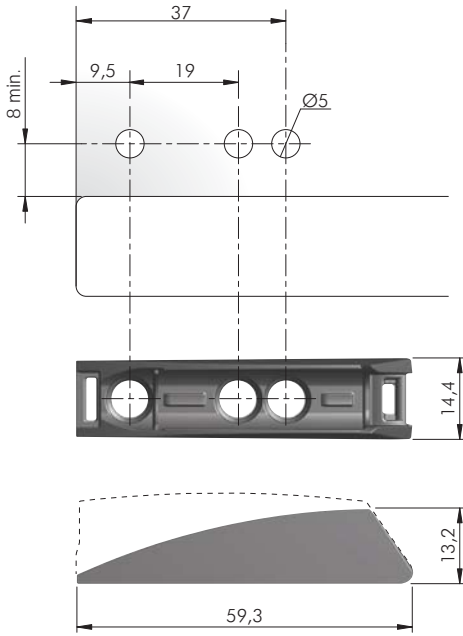


| | |
|------------|------------|
| | = 100 pcs. |
| | |
| 57015020EE | |
| 57015020IJ | |
| 57015020AB | |

9

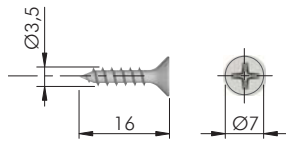


| | | |
|------------|----------|------------|
| | = Ø 3 mm | = 100 pcs. |
| | | |
| | | |
| 57015040EE | | |
| 57015040IJ | | |
| 57015040AB | | |



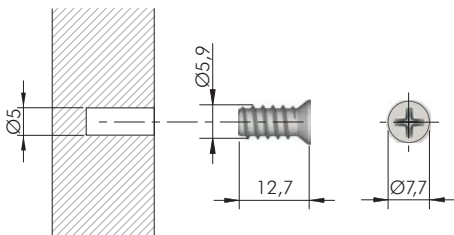
| | |
|------------|------------|
| = Ø 5 mm | = 100 pcs. |
| EP | |
| | |
| 57015060EE | |
| 57015060UJ | |
| 57015060AB | |

FIXING ACCESSORY FOR K LOCK ADAPTER PLATES PART NO. 57015040



| | |
|------------|---------------|
| = Ø 3 mm | |
| = PZ2 | |
| ST | = 10.000 pcs. |
| | |
| 60101390ZN | |

FIXING ACCESSORY FOR K LOCK ADAPTER PLATES PART NO. 57015060

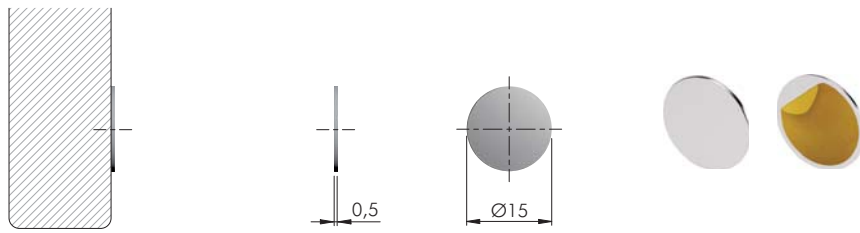





| | |
|------------|-------------|
| = Ø 5 mm | |
| = PZ2 | |
| ST | = 5000 pcs. |
| | |
| 60501050YA | |





PUSH CATCHES AND MAGNETIC CATCHES

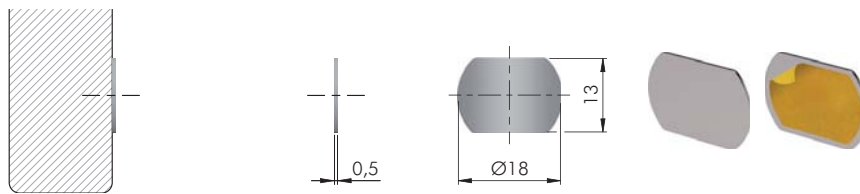
K PUSH TECH AND K LOCK DOOR PLATES









 ST
  = 100 pcs.

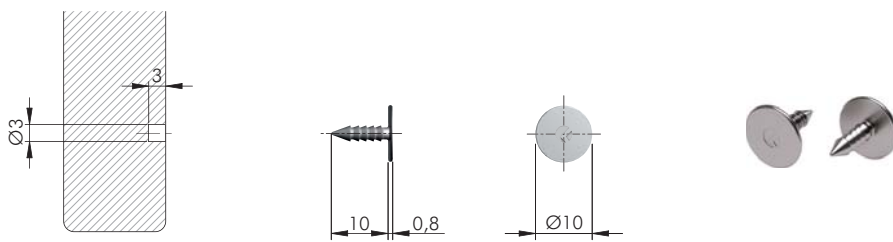
55006160XD







 ST
  = 100 pcs.






55006200YA

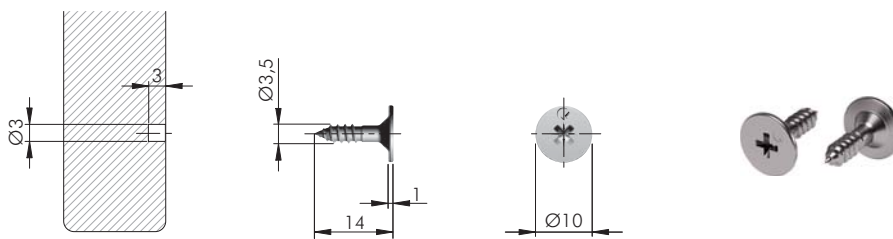






 = Ø 3 mm
  = 100 pcs.


 ST






55006030YA

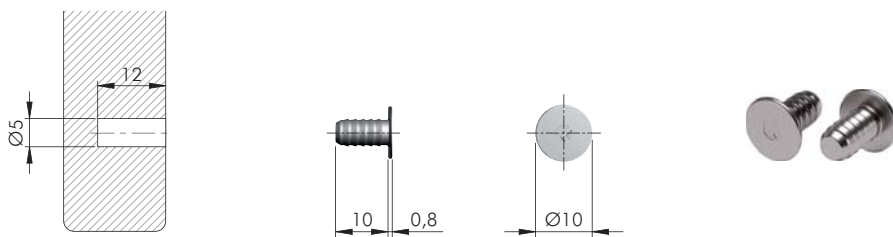




 = Ø 3 mm
 
 = PZ2
  = 100 pcs.


 ST






55006100YA



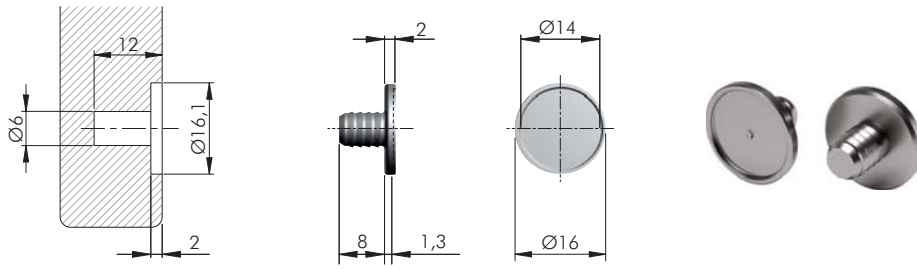
 = Ø 5 mm
  = 100 pcs.

 ST

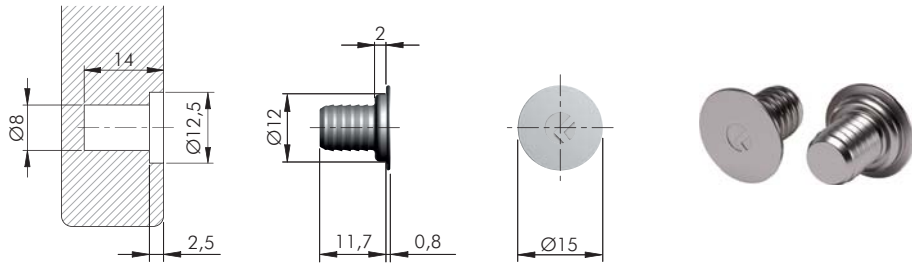







55006040YA

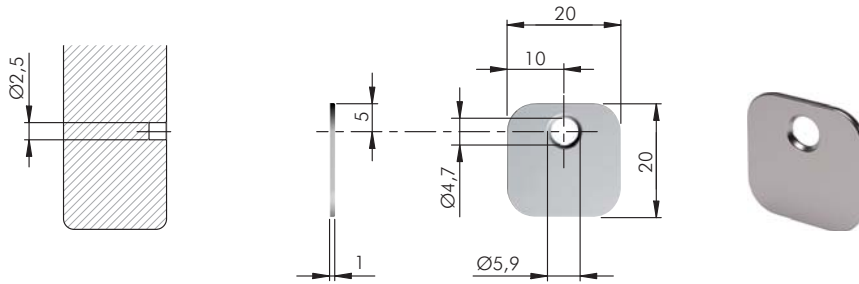
9







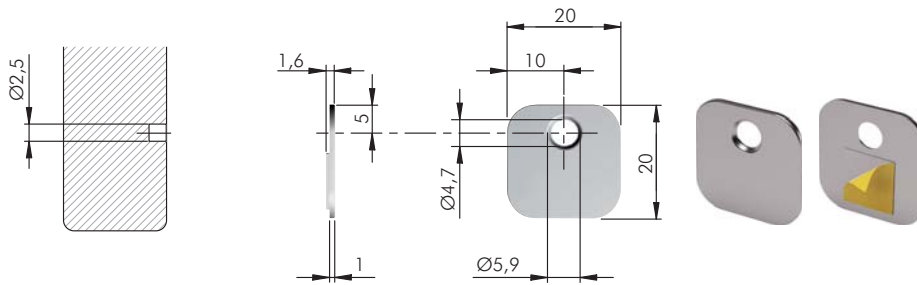
 = Ø 6 mm
 ST  = 100 pcs.
 
55006070YA








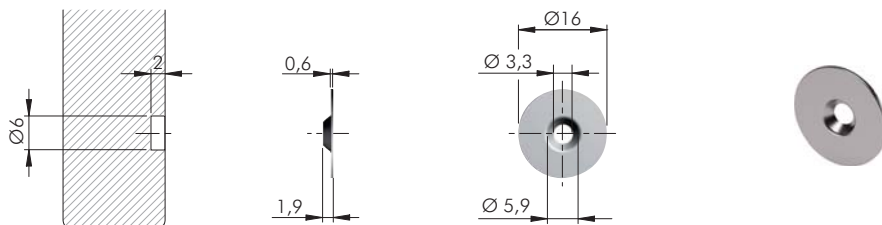
 = Ø 8 mm
 ST  = 100 pcs.
 
55006050YA







 = Ø 2,5 mm
 ST  = 100 pcs.
 
55006120YA



  = Ø 2,5 mm
 ST  = 100 pcs.
 
55006170YA



 = Ø 6 mm
 ST  = 100 pcs.
 
55006130YA

ACCESSORY FOR PART NO. 55006130YA AND 55006120YA

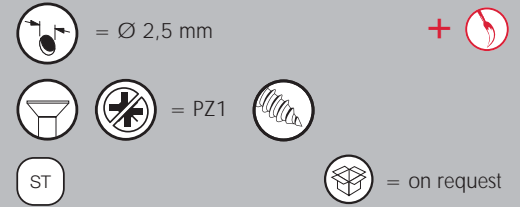
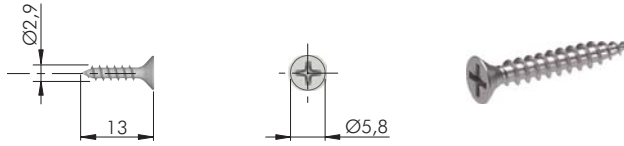
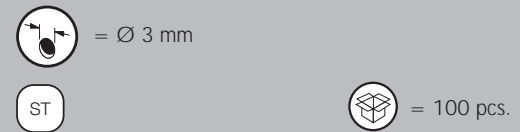
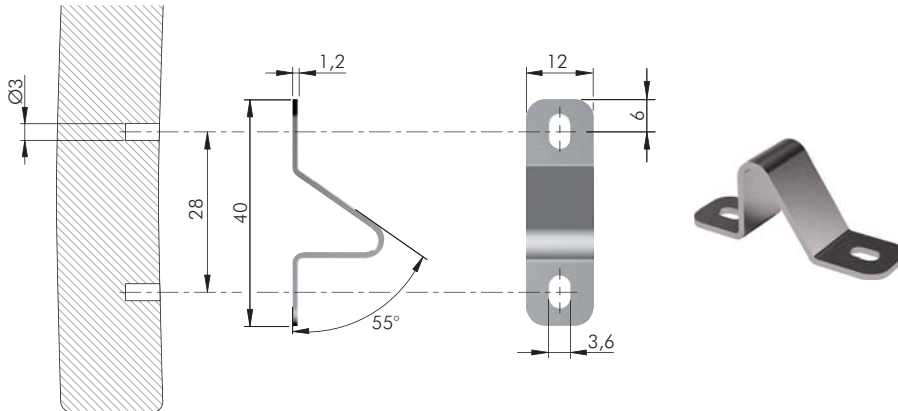
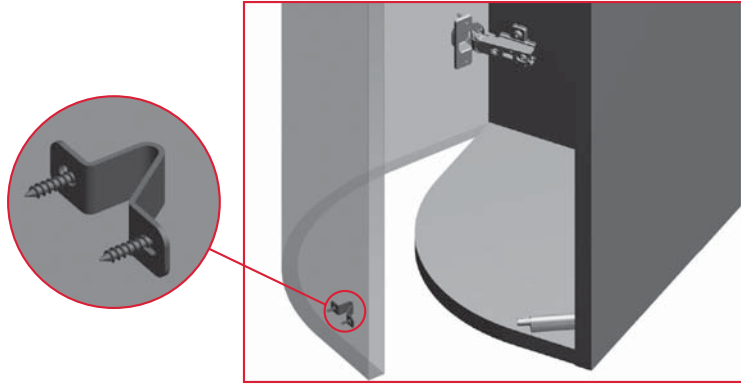


PLATE FOR K PUSH WITH ADAPTER HOUSING FOR CURVED DOORS



ACCESSORY FOR PART NO. 55006110YA

