

DWD XP  
SIDEWOOD®

A solid masterpiece.



For people who love something special.



# DWD XP Sidewood®

moved by



**More passion,  
more freedom,  
more options.**

The new complete drawer program in solid wood offers you new possibilities for organization.

For everyone who loves something special and is looking for the perfect combination of design, function and material.

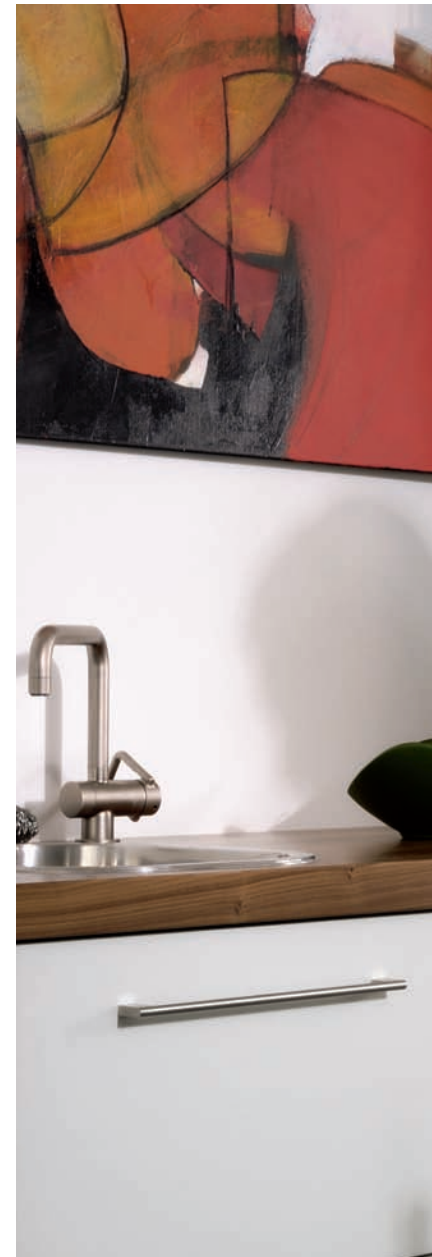


## The complete drawer program in solid wood.

DWD XP Sidewood® is the versatile complete drawer program for high expectations. It combines the features and benefits of the market proven DWD Dynamic XP drawer runner with one of the most popular materials – Wood.

The functional solid-wood drawer side is made from a single piece of wood and integrates the Dynamic XP drawer slide. The wood pieces are manufactured in a very complex process and undergo the highest quality inspections.

A masterpiece that perfectly combines the high demand for wooden drawers with the innovations of the latest drawer technology.



# DWD XP Sidewood®





DWD XP Sidewood® continues our consistent strategy of launching new innovative products and demonstrates, once again, what Mepla-Alfit stands for: Passion for the product!

- Double solid-wood drawer side – the perfect combination of design, function and material
- Perfect operating characteristics due to proven and tested Dynamic XP runner
- Silent, gentle action due to innovative Soft-close® feature
- Organizing systems such as Flexline and Magic Sorto
- Sidewood® and Magic Optima dividing systems
- Precise, easy to use front adjustment
- Long lifetime
- Non-warping movement
- High load capacity

moved by



## DWD XP Sidewood® Product Summary



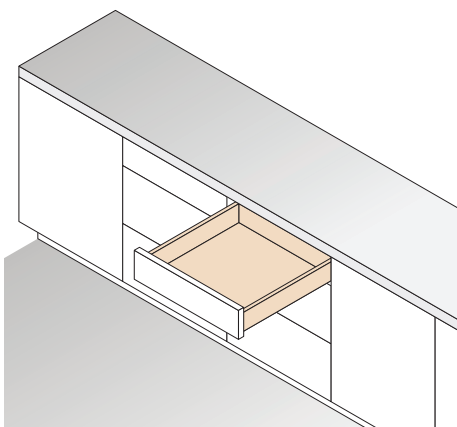
Product classes	Summary	Page	
<b>DWD XP Sidewood®</b>	Drawer with wooden drawer back 86 mm	8	
	Pot drawer with wooden drawer back 182 mm	10	
	Wooden drawer backs	12	
	Screw-on railing for wooden drawer back	14	
	Magic Sorto	18	
	Drawer organization		
	Magic Optima	22	
	Pot drawer organization for Railing		
	<b>Wooden inserts for Drawers</b>	Flexline	16
		Flexible organizing system based on solid wood	
Spice insert		17	
Spice insert with casters		17	
Utensil insert		17	
Cutlery insert		17	
Knife block		17	
<b>Wooden inserts for Pot drawers</b>	Plug system for pot drawers	20	
	Drilled boards	21	
	Round shaped plug for drilled board	21	
	Length- and crosswise partitions for drilled board	21	
	<b>Dynamic XP runner</b>	Full extension 40 kg	24
Full extension 60 kg		24	
Full extension 80 kg		24	
<b>Technical Information</b>		26	

## Drawer



Drawer sides, height 95 mm, front fixing and adapters for wooden drawer back

- **One profile for all applications (40, 60, 80 kg)**  
Easy logistics and warehousing
- **Bottom mounting with screws and knock-in claws**  
Efficient, secure mounting without bottom preparation
- **Integrated removal and transport safety**  
Secure transport of cabinets
- **Front fixing made of zinc die-cast**  
Strongest drawer front connection
- **2 dimensional front adjustment with cam height adjustment**  
Precise adjustment of drawer gaps



1	DWD XP Sidewood®	Nominal length in mm	Ref. No. PU 1	Ref. No. PU 20
	Drawer sides height 95 solid beech	275	6100.275.38	
		350	6100.350.38	
		400	6100.400.38	
		450	6100.450.38	6105.450.38
		500	6100.500.38	6105.500.38
		550	6100.550.38	6105.550.38
		600	6100.600.38	
		650	6100.650.38	

PU 1 = 1 set / drawer sides left and right with stainless steel cover caps and adapter set for drawer back

PU 20 = 20 drawer sides left and right with stainless steel cover caps and adapter set for drawer back

Minimum order quantity 20 set

Other types of wood available on request.

2	Front fixing	Ref. No.	PU
2.1	Screw-on front fixing	6850	40/400
			400
2.2	Front fixing with dowels	6860	40/400
			400
2.3	Front fixing with expanding dowels	6865	400

PU 40/400 = 40 pcs. per bag/ 400 pcs. per box

PU 400 = 400 pcs. loose per box

3	Adapter for drawer back	Ref. No. alu-metallic	PU
---	-------------------------	-----------------------	----

Adapter set for wooden drawer back height 86 solid beech

6771.38.VE1

1/20 set

PU 1/20 = 1 set (l/r) per bag / 20 set per box

Other types of wood available on request.

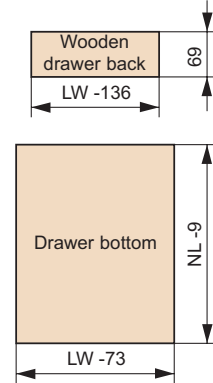
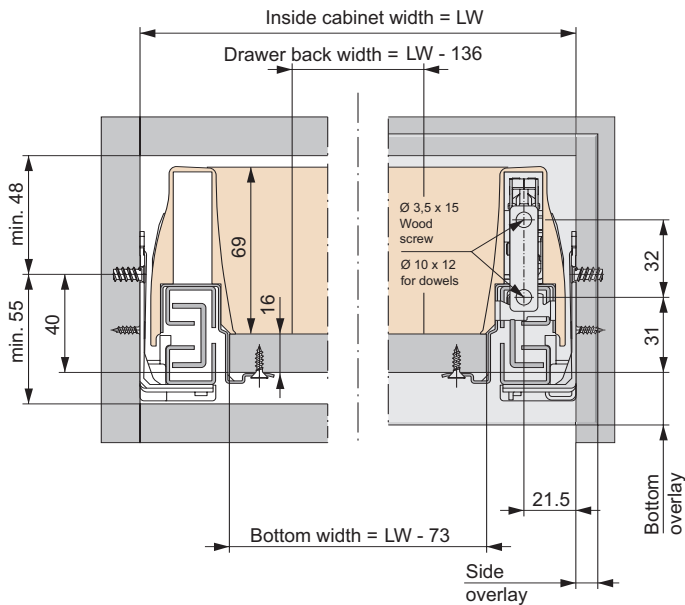
### Accessories: wooden drawer back for cutting to size

	Ref. No.	PU
Wooden drawer back H 86 solid beech	6710.1031.38	1
For drawer in beech (cabinet width 1200 mm) for individual cutting. 1031 x 69 x 16 mm		
PU 1 = 1 pc. per box		Other types of wood available on request.
Minimum order quantity 20 pcs.		

PU = Packing Unit



**Mounting positions** **Cutting dimensions based on 16 mm particle board**

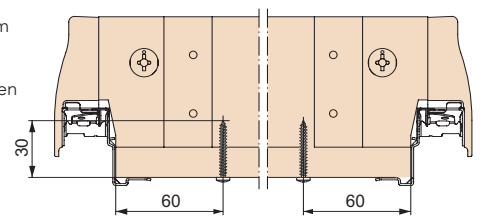
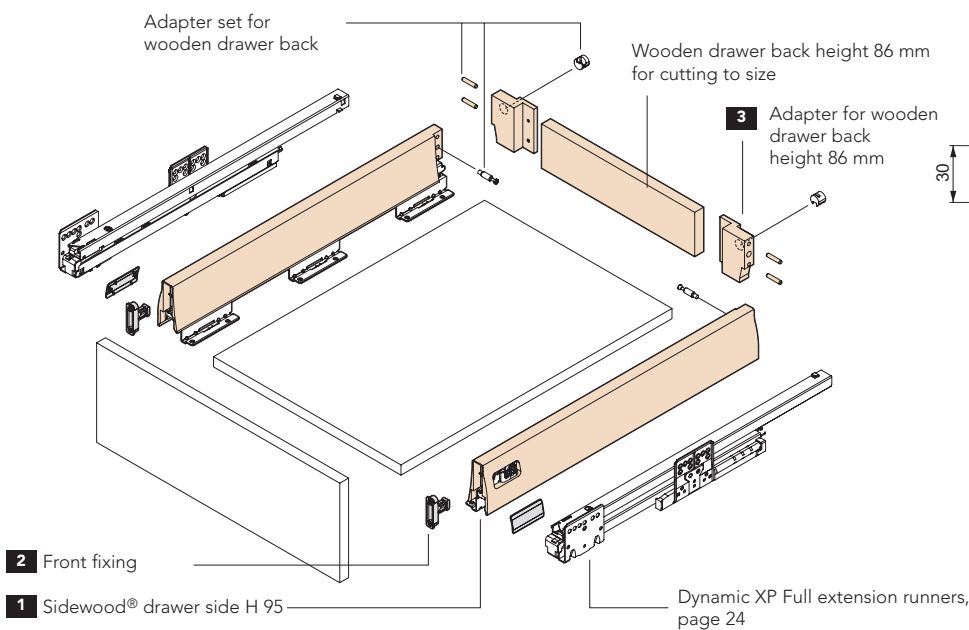


Minimum installation depth = NL  
NL = Nominal length of runner

**Installation instructions:**  
**Front fixing attachment with press-in dowels**

When using front fixings with press-in dowels, the front drillings must be appropriately countersunk. The sharp drilling edges produced with hard surface coatings, e.g. melamine, can to some extent shear away the dowel protrusions when they are pressed in. This can significantly reduce the pull-out strength. Alternatively, front fixings with expanding dowels can be used, which does not require any countersinking and still guarantees optimal holding.

**Drawer with wooden back** **Recommendation**



For cabinets wider than 800 mm we recommend attaching the wooden drawer back to the bottom using a wood screw.

For mounting to cabinet side we recommend Euro screws

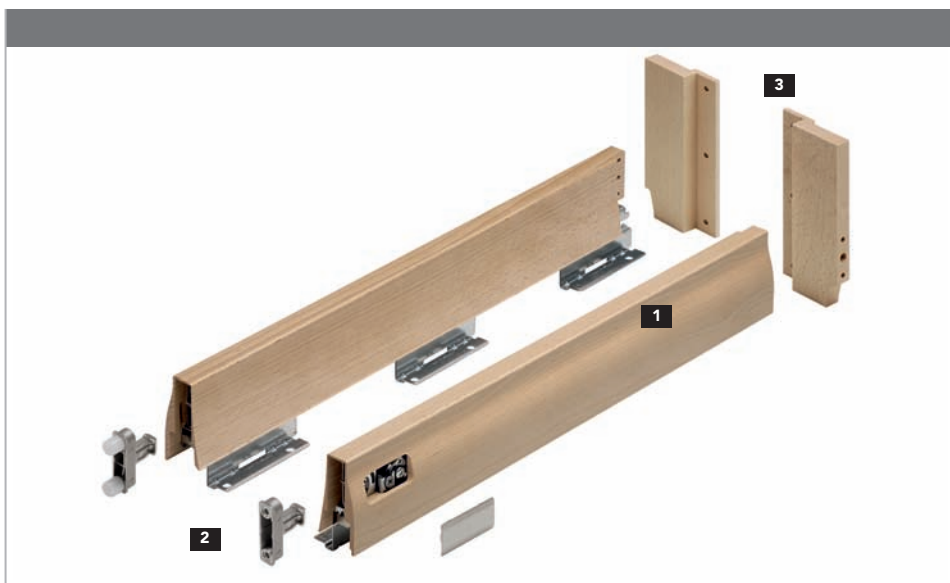
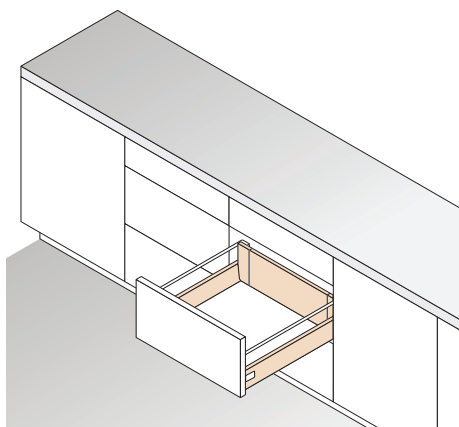
All measurements in millimeters.

## Pot drawer



Drawer sides, height 95 mm, front fixing and adapter for high wooden drawer back

- **One profile for all applications (40, 60, 80 kg)**  
Easy logistics and warehousing
- **Bottom mounting with screws and knock-in claws**  
Efficient, secure mounting without bottom preparation
- **Integrated removal and transport safety**  
Secure transport of cabinets
- **Front fixing made of zinc die-cast**  
Strongest drawer front connection
- **2 dimensional front adjustment with cam height adjustment**  
Precise adjustment of drawer gaps



1	DWD XP Sidewood®	Nominal length in mm	Ref. No. PU 1	Ref. No. PU 20
	Drawer sides height 95 solid beech	275	6100.275.38	
		350	6100.350.38	
		400	6100.400.38	
		450	6100.450.38	6105.450.38
		500	6100.500.38	6105.500.38
		550	6100.550.38	6105.550.38
		600	6100.600.38	
		650	6100.650.38	

PU 1 = 1 set / drawer sides left and right with stainless steel cover caps and adapter set for drawer back

PU 20 = 20 drawer sides left and right with stainless steel cover caps and adapter set for drawer back

Minimum order quantity 20 set

Other types of wood available on request.

2	Front fixing	Ref. No.	PU
2.1	Screw-on front fixing	6850	40/400 400 pcs.
2.2	Front fixing with dowels	6860	40/400 400 pcs.
2.3	Front fixing with expanding dowels	6865	400 pcs.

PU 40/400 = 40 pcs. per bag/ 400 pcs. per box

PU 400 = 400 pcs. loose per box

3	Adapter for drawer back	Bestellnummer alu-metallic	PU
	Adapter set for wooden drawer back height 182	6773.38.VE1	1/20 set
	PU 1/20 = 1 set (l/r) per bag / 20 set per box		

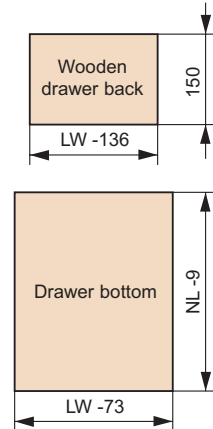
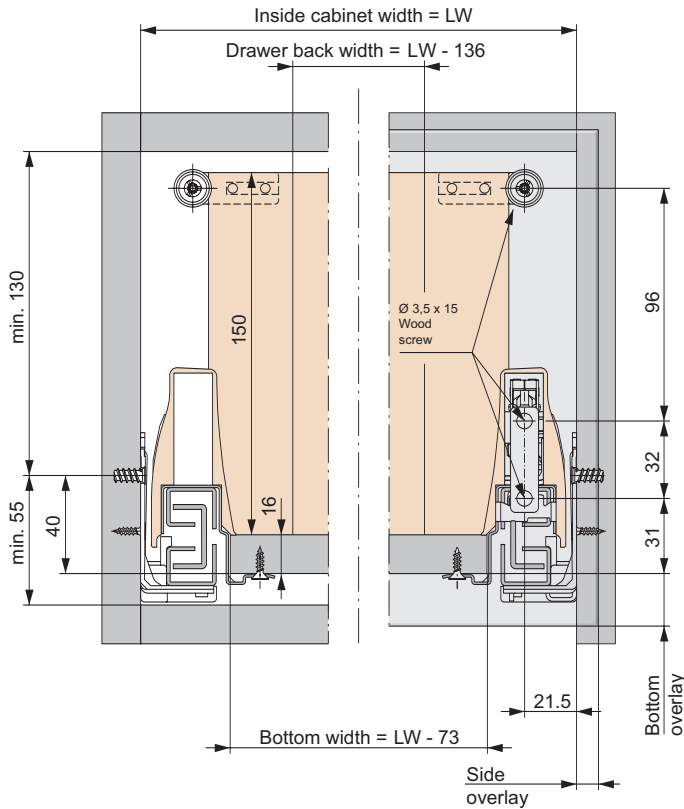
Other types of wood available on request.

Accessories: wooden drawer back for cutting to size			
	Wooden drawer back H 182 solid beech	Ref. No.	PU
		6730.1031.38	1
	For drawer in beech (cabinet width 1200 mm) for individual cutting. 1031 x 150 x 16 mm		
	PU 1 = 1 pc. per box Minimum order quantity 20 pcs.		
	Other types of wood available on request.		

PU = Packing Unit



**Mounting positions** **Cutting dimensions based on 16 mm particle board**

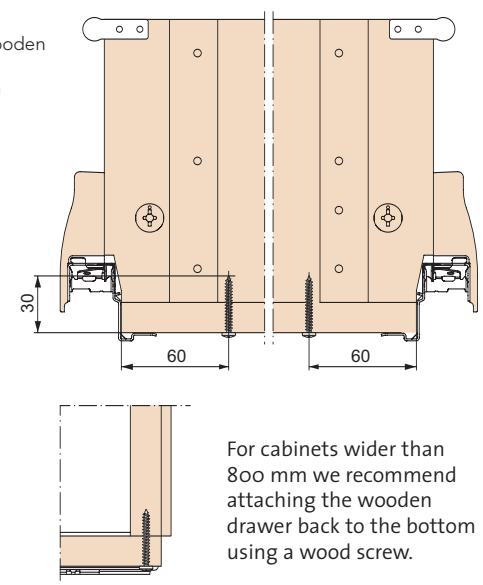
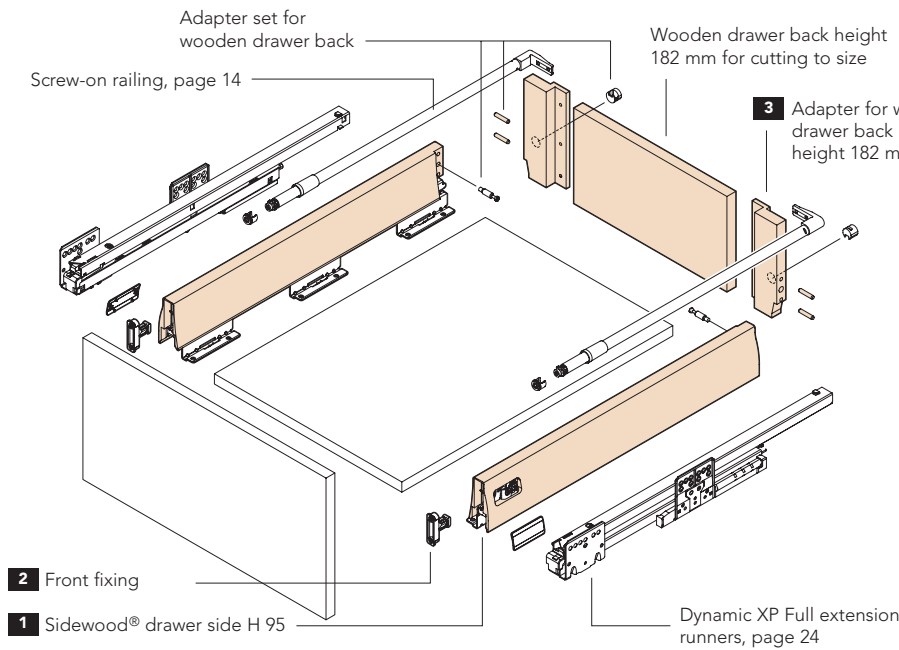


Minimum installation depth = NL  
 NL = Nominal length of runner

**Installation instructions:**  
**Front fixing attachment with press-in dowels**

When using front fixings with press-in dowels, the front drillings must be appropriately countersunk. The sharp drilling edges produced with hard surface coatings, e.g. melamine, can to some extent shear away the dowel protrusions when they are pressed in. This can significantly reduce the pull-out strength. Alternatively, front fixings with expanding dowels can be used, which does not require any countersinking and still guarantees optimal holding.

**Drawer with wooden back** **Recommendation**



For cabinets wider than 800 mm we recommend attaching the wooden drawer back to the bottom using a wood screw.

All measurements in millimeters.

For mounting to cabinet side we recommend Euro screws

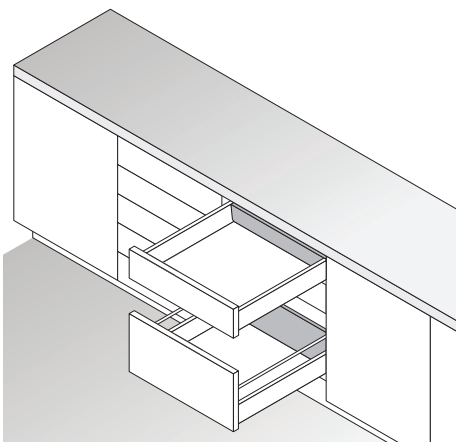
## Wooden drawer backs



For drawers and pot drawers

- High-quality wooden drawer back with fixed widths and heights

Easy installation, no cutting of wood required



### Wooden drawer back, height 86



for 16mm cabinet side

(available for cabinet sides 18 and 19 mm on request)

	Cabinet width in mm	Ref. No. PU 10	PU
Wooden drawer back, solid beech Height 86 / S16	300	6713.211.38	10 pcs.
	400	6713.311.38	
	450	6713.361.38	
	500	6713.411.38	
	550	6713.461.38	
	600	6713.511.38	
	800	6713.711.38	
	900	6713.811.38	
	1000	6713.911.38	
	1200	6713.1111.38	

Minimum order quantity 20 pcs.

### Wooden drawer back, height 182



for 16mm cabinet side

(available for cabinet sides 18 and 19 mm on request)

	Cabinet width in mm	Ref. No. PU 10	PU
Wooden drawer back, solid beech Height 182 / S16	300	6733.211.38	10 pcs.
	400	6733.311.38	
	450	6733.361.38	
	500	6733.411.38	
	550	6733.461.38	
	600	6733.511.38	
	800	6733.711.38	
	900	6733.811.38	
	1000	6733.911.38	
	1200	6733.1111.38	

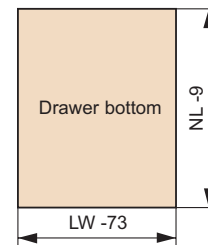
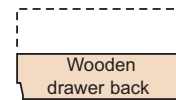
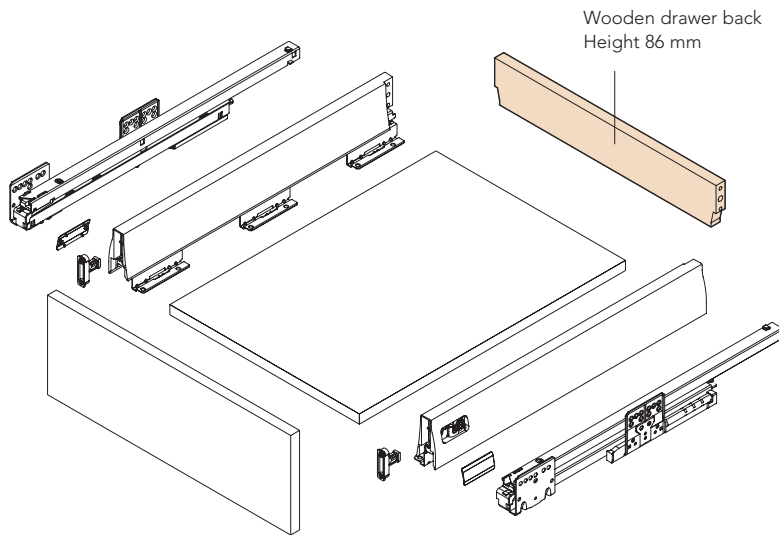
Minimum order quantity 20 pcs.

PU = Packing Unit



Mounting positions

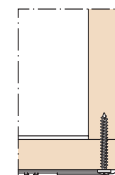
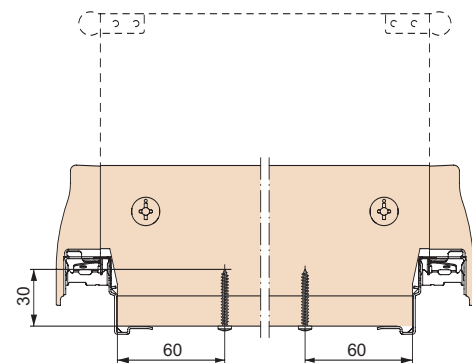
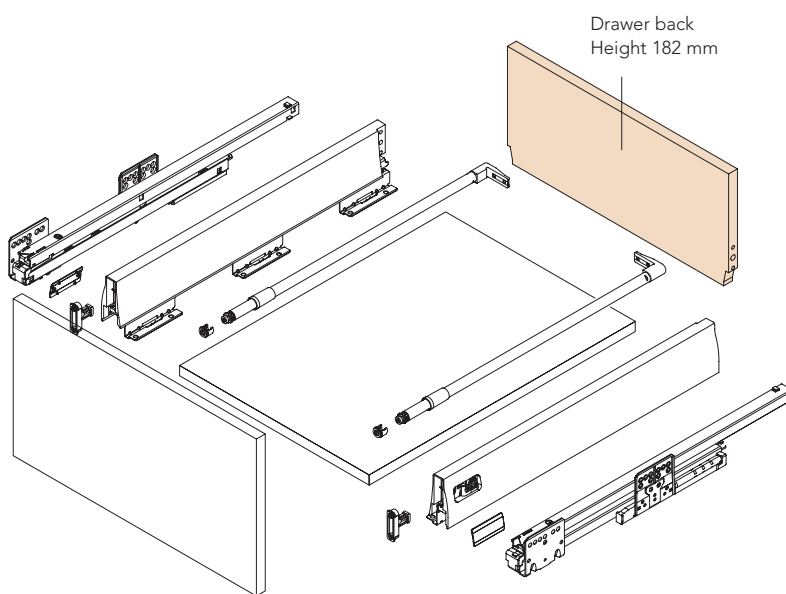
Cutting dimensions based on 16 mm particle board



Minimum installation depth = NL  
NL = Nominal length of runner

Drawer with wooden drawer back

Recommendation



For cabinets wider than 800 mm we recommend attaching the wooden drawer back to the bottom using a wood screw.

All measurements in millimeters.

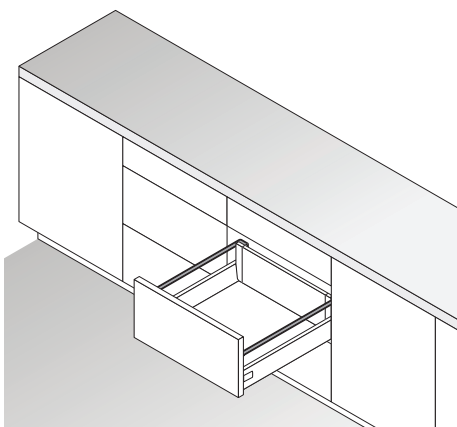
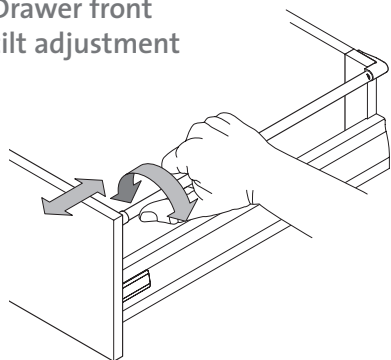
## Screw-on Railing



Screw-on Railing, nickel plated for wooden drawer back

- **Screw-on mounting to front panel**  
Solid connection between drawer front and drawer back
- **Drawer front tilt adjustment**  
Simple adjustment of tilted front

Drawer front tilt adjustment



Railing	Nominal length in mm	Ref. No. nickel plated	PU
Screw-on Railing set	450	13050.450.15	1/25 set
	500	13050.500.15	
	550	13050.550.15	

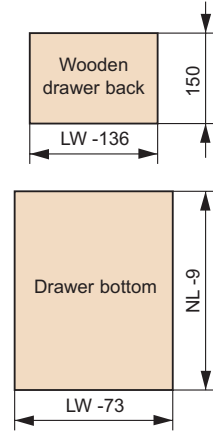
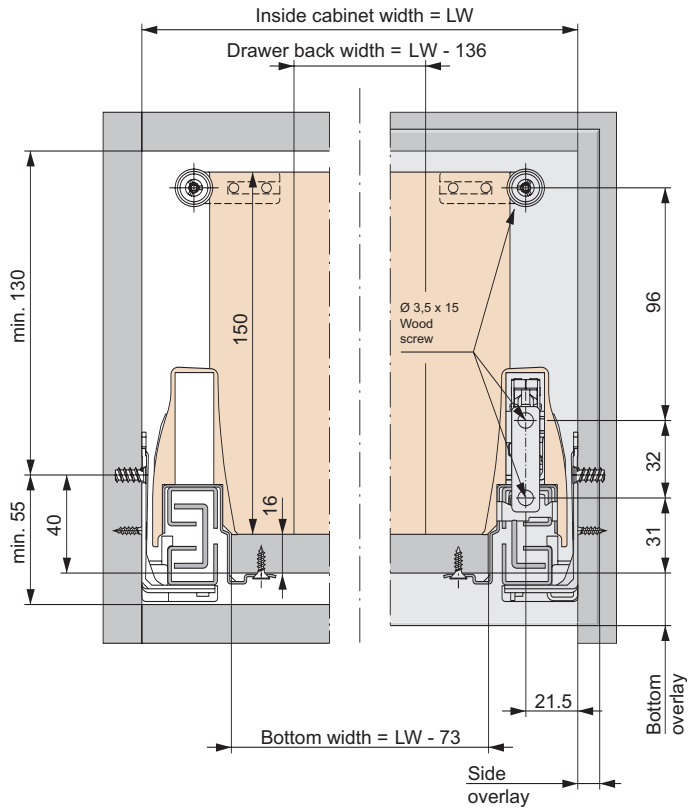
PU 1/25 = 1 set per bag/25 sets per box  
1 set consisting of: 1 railing, nickel plated left, 1 railing, nickel plated right incl. front fixing cover, 2 screw-on front fixings for railing

Quick mounting Railing on request.

PU = Packing Unit

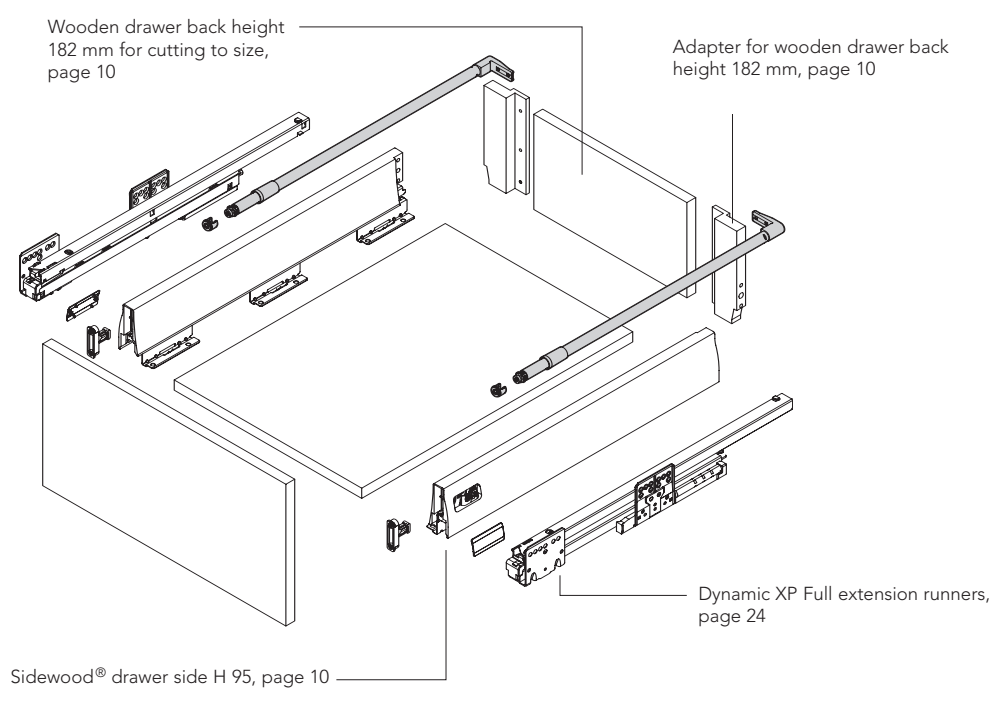


**Mounting positions** **Cutting dimensions based on 16 mm particle board**



Minimum installation depth = NL  
NL = Nominal length of runner

**Pot Drawer with wooden back**



## Flexline drawer organizing system

Also suitable for DWD XP steel



### The versatile solid wood drawer system with stepless adjustment for various drawer width.

This modular system is guaranteed to impress with its timeless elegance and great versatility. Based on wooden inserts that offer adjustment in width this system can be extended with inserts for cutlery, knives, spices, foils and other utensils.

Depending on the application the width can be adjusted.



#### Flexline wooden insert (suitable for nominal length 500 mm, cabinet width 400 - 600 mm)

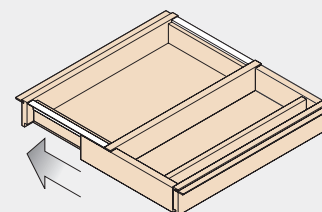
Nominal length	Ref. No.	PU
500	12410.38	1 pc.



#### Stepless variable wooden insert

Perfectly fitting profile strips create a form-fit connection of the individual modules.

- Solid beech
- Corner connections doweled



Minimum order quantity  
20 pcs.

#### Flexline wooden insert (suitable for nominal length 500 mm, cabinet width 800 - 1200 mm)

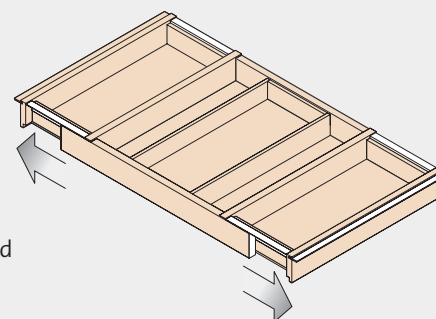
Nominal length	Ref. No.	PU
500	12411.38	1 pc.



#### Infinitely variable wooden insert with adjustable side modules.

Perfectly fitting profile strips create a form-fit connection of the individual modules.

- Solid beech
- Corner connections doweled




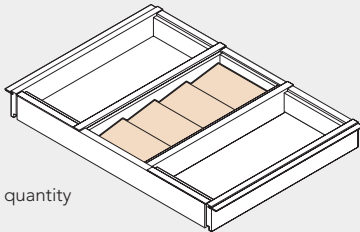

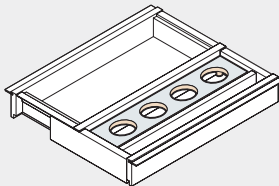

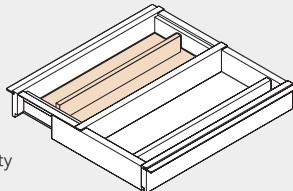

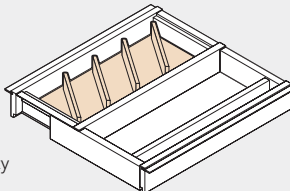

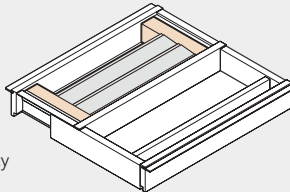

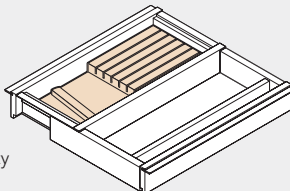
Minimum order quantity  
20 pcs.

PU = Packing Unit





# Wooden inserts for Flexline

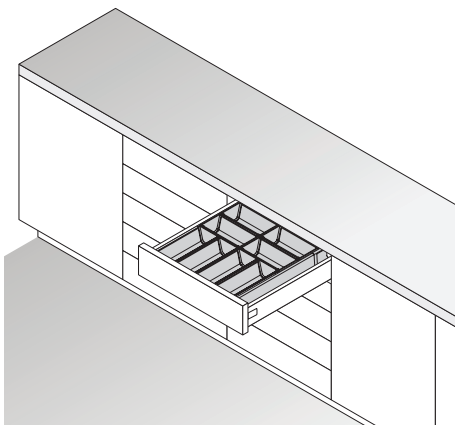
Spice insert (from cabinet width 800 on)		Nominal length	Ref. No.	PU
		500	12420.38	1 pc.
	<p>Stepped surfaces ensure visible storage and prevent spice containers from slipping out of place.</p> <ul style="list-style-type: none"> <li>• Solid beech</li> </ul>	 <p>Minimum order quantity 20 pcs.</p>		
Spice insert with casters		Nominal length	Ref. No.	PU
		500	12421.38	1 pc.
	<p>Keeps spices firmly in position. Includes 4 casters for salt, pepper, fine-grained and coarse-grained spice. The coated surface offers protection from soiling.</p> <ul style="list-style-type: none"> <li>• Coated surface</li> </ul>	 <p>Minimum order quantity 20 pcs.</p>		
Utensil insert		Nominal length	Ref. No.	PU
		500	12422.38	1 pc.
	<p>Additional subdivision ensures greater flexibility when organizing your utensils.</p> <ul style="list-style-type: none"> <li>• Solid beech</li> </ul>	 <p>Minimum order quantity 20 pcs.</p>		
Cutlery insert		Nominal length	Ref. No.	PU
		500	12423.38	1 pc.
	<p>From soup to dessert. Five compartments put order into your cutlery drawer.</p> <ul style="list-style-type: none"> <li>• Solid beech</li> </ul>	 <p>Minimum order quantity 20 pcs.</p>		
Kitchen foil/film insert		Nominal length	Ref. No.	PU
		500	12424.38	1 pc.
	<p>Holder for 2 rolls of kitchen foil. Elegant yet practical with a serrated edge for tearing off cleanly.</p> <ul style="list-style-type: none"> <li>• Solid beech</li> <li>• Cover made of stainless steel</li> </ul>	 <p>Minimum order quantity 20 pcs.</p>		
Knife block		Nominal length	Ref. No.	PU
		500	12425.38	1 pc.
	<p>Stylish organization of up to 6 knives. This knife block offers protection from injury and also eliminates damage to the drawer from loose knives.</p> <ul style="list-style-type: none"> <li>• Solid beech</li> </ul>	 <p>Minimum order quantity 20 pcs.</p>		

## Magic Sorto



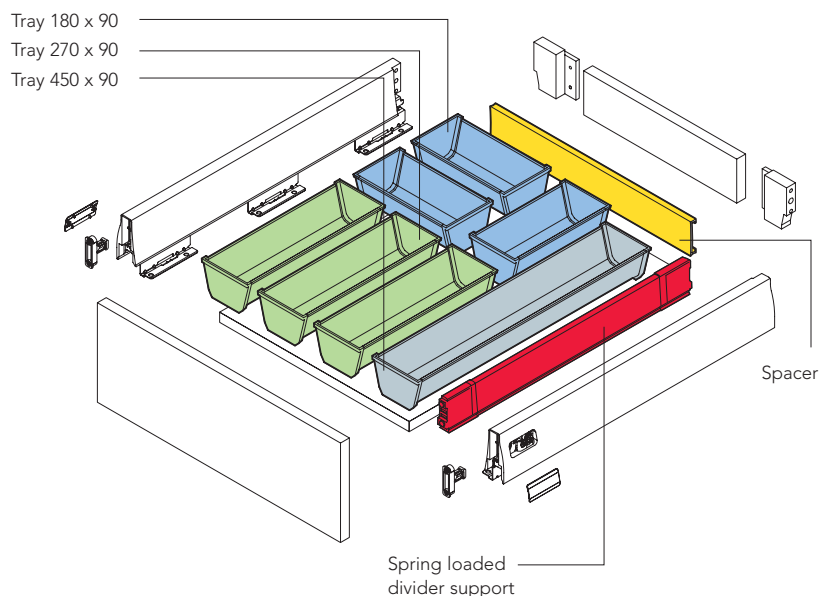
### Drawer Organization

- **Modular expandable system**  
Can be rearranged by end user at any time
- **Individual removable components, dishwasher safe**  
Easy to clean
- **Food safe, hygienically approved**  
Ideal for kitchen and household
- **Trays made of stainless steel**  
Sorto matches the design of drawer sides perfectly



		Ref. No. alu-metallic	Ref. No. stainless steel	PU
1	Magic Sorto Set NL 400 B3	12030.400.17		1 set
2	Magic Sorto Set NL 400 B4	12040.400.17		
3	Magic Sorto Set NL 450 B3	12030.450.17		
4	Magic Sorto Set NL 450 B4	12040.450.17		
5	Magic Sorto Set NL 500 B3	12030.500.17	12030.500.40	
6	Magic Sorto Set NL 500 B4	12040.500.17	12040.500.40	
7	Magic Sorto Set NL 500 B4S	12046.500.17	12046.500.40	
8	Magic Sorto Set NL 550 B3	12030.550.17		
9	Magic Sorto Set NL 550 B4	12040.550.17		

### Drawer with Magic Sorto / Set NL 500 B4S

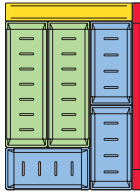


PU = Packing Unit



## Assembly variations

### 1 Magic Sorto Set NL 400 B3

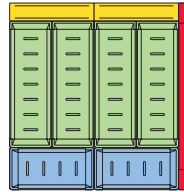


NL 400 and cabinet widths from 450 mm or more.

**Consisting of:**

- 2 Sorto trays 270 x 90 mm
- 3 Sorto trays 180 x 90 mm
- 1 Spacer 270 mm
- 1 Divider Support

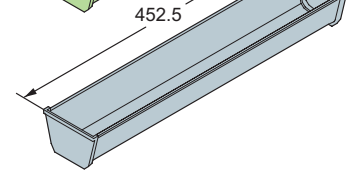
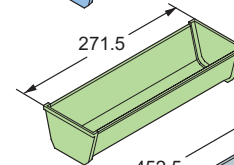
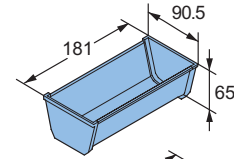
### 2 Magic Sorto Set NL 400 B4



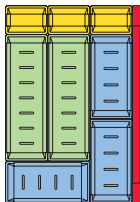
NL 400 and cabinet widths from 600 mm or more.

**Consisting of:**

- 4 Sorto trays 270 x 90 mm
- 2 Sorto trays 180 x 90 mm
- 2 Spacer 180 mm
- 1 Divider Support



### 3 Magic Sorto Set NL 450 B3

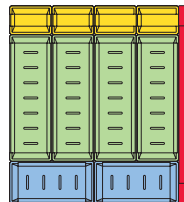


NL 450 and cabinet widths from 450 mm or more.

**Consisting of:**

- 2 Sorto trays 270 x 90 mm
- 3 Sorto trays 180 x 90 mm
- 3 Compression trays 60 mm
- 1 Divider Support

### 4 Magic Sorto Set NL 450 B4

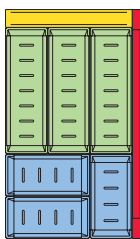


NL 450 and cabinet widths from 600 mm or more.

**Consisting of:**

- 4 Sorto trays 270 x 90 mm
- 2 Sorto trays 180 x 90 mm
- 4 Compression trays 60 mm
- 1 Divider Support

### 5 Magic Sorto Set NL 500 B3



NL 500 and cabinet widths from 450 mm or more.

**Consisting of:**

- 3 Sorto trays 270 x 90 mm
- 3 Sorto trays 180 x 90 mm
- 1 Spacer 270 mm
- 1 Divider Support

### 6 Magic Sorto Set NL 500 B4

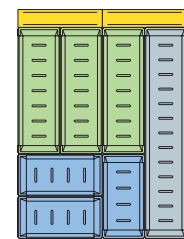


NL 500 and cabinet widths from 600 mm or more.

**Consisting of:**

- 4 Sorto trays 270 x 90 mm
- 4 Sorto trays 180 x 90 mm
- 2 Spacer 180 mm
- 1 Divider Support

### 7 Magic Sorto Set NL 500 B4S

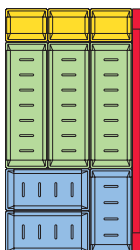


NL 500 and cabinet widths from 600 mm or more.

**Consisting of:**

- 1 Sorto tray 450 x 90 mm
- 3 Sorto trays 270 x 90 mm
- 3 Sorto trays 180 x 90 mm
- 2 Spacer 180 mm
- 1 Divider Support

### 8 Magic Sorto Set NL 550 B3

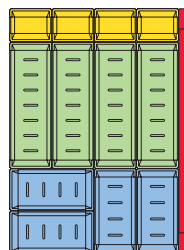


NL 550 and cabinet widths from 450 mm or more.

**Consisting of:**

- 3 Sorto trays 270 x 90 mm
- 3 Sorto trays 180 x 90 mm
- 3 Compression trays 70 mm
- 1 Divider Support

### 9 Magic Sorto Set NL 550 B4

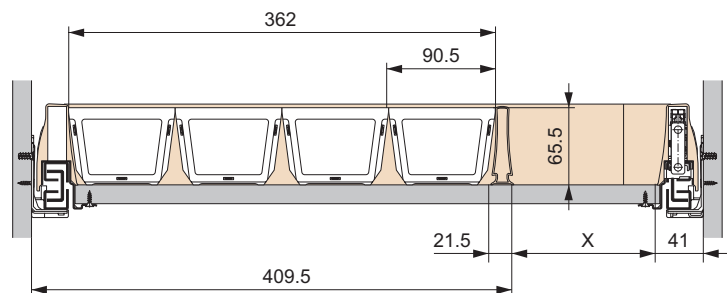
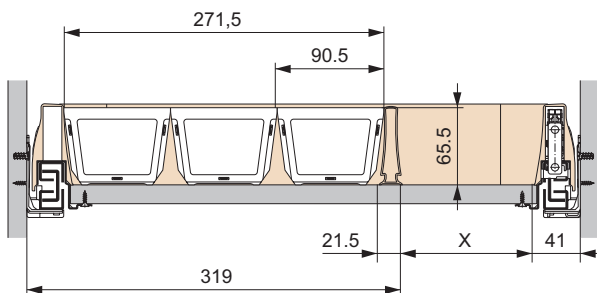


NL 550 and cabinet widths from 600 mm or more.

**Consisting of:**

- 4 Sorto trays 270 x 90 mm
- 4 Sorto trays 180 x 90 mm
- 4 Compression trays 70 mm
- 1 Divider Support

## Measurements



All measurements in millimeters.

## Plug system for pot drawers



### The organizing system for individual configuration of your pot drawers.

This innovative easy to use plug in system is a winner. Easy to cut oversized drilled boards make it possible to use the boards in any drawer size. Due to flexible placement of the plug in inserts anything can be kept in place that you would like securely stored in your drawer

- Elegant design in solid beech
- High flexibility
- Simple handling
- Versatile drawer organization using plug in parts
- Expandable at any time
- Suitable for special widths



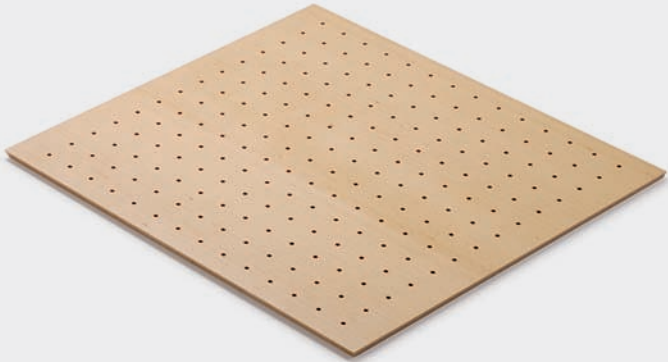
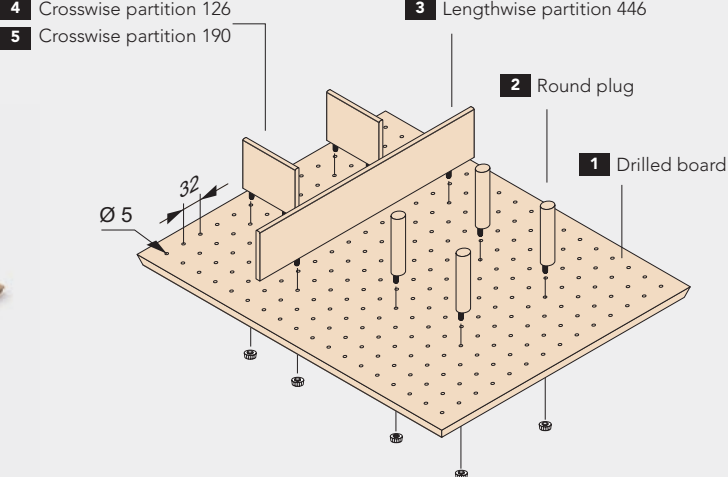


# Wooden inserts for pot drawers

1	Drilled boards (for nominal length 500 mm)	Nominal length in mm	Ref.No.	PU
	Drilled board KB 600	500	12430.38	1 pc.
	Drilled board KB 1200	500	12431.38	

Drilled wood boards in 2 different lengths. Bevelled edges ensure an accurate fit.

- Hole grid 32 mm.
- Suitable for cut to size





Minimum order quantity  
20 pcs.

2	Round shaped plug	Ref.No	PU
		12435.38	1 set

Round shaped plug  $\varnothing$  25 mm to screw into place.  
Height 160 mm

- Solid beech.  
Other types of wood available on request



PU 1 = 1 set consists of 4 pcs.  
Minimum order quantity 3 set

3	Lengthwise partition 446 mm	Ref.No	PU
		12437.38	1 pc.

Lengthwise partition to insert and screw into place.  
446 x 120 x 15 mm

- Solid beech.  
Other types of wood available on request




Minimum order quantity  
20 pcs.

4	Crosswise partition 126 mm	Ref.No	PU
		12438.38	1 pc

Crosswise partition to insert and screw into place.  
126 x 120 x 15 mm

- Solid beech.  
Other types of wood available on request




Minimum order quantity  
20 pcs.

5	Crosswise partition 190 mm	Ref.No	PU
		12439.38	1 pc

Crosswise partition to insert and screw into place.  
190 x 120 x 15 mm

- Solid beech.  
Other types of wood available on request



Minimum order quantity  
20 pcs.

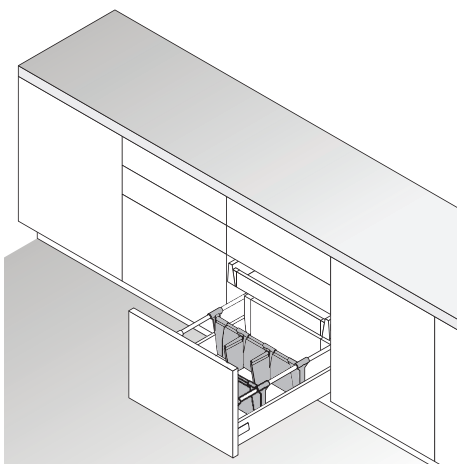
PU = Packing Unit, KB = Cabinet width

## Magic Optima



### Organizing system for Pot drawers with Railing

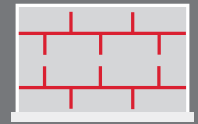
- **Individual organization of storage space**  
For better overview and order
- **Toolless mounting**  
Easy installation and can be retrofitted any time
- **Toolless adjustment, variable storage room utilization**  
Can be rearranged by end user at any time



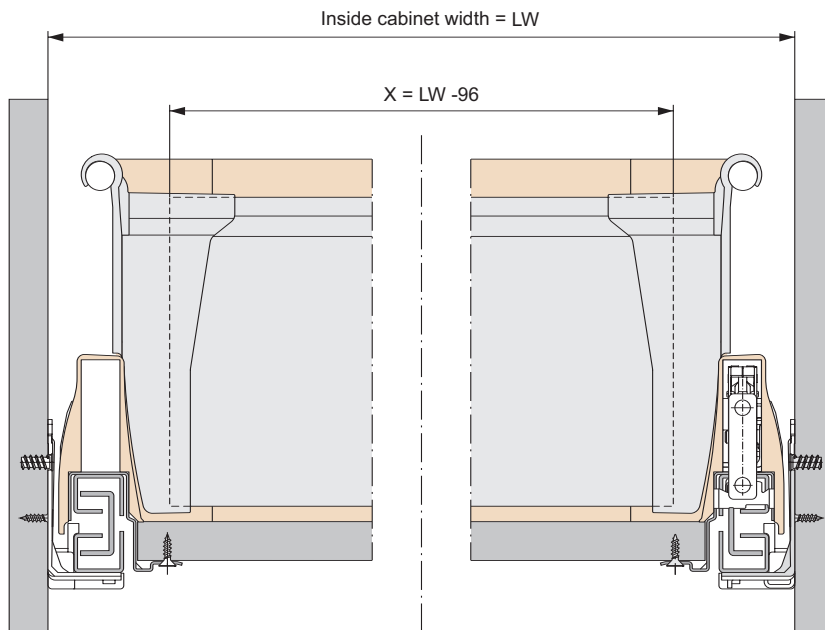
1	Cabinet width in mm	Ref. No. anodized	PU
Optima dividing profile, anodized	600	12800.472.42	20 pcs.
	1200	12800.1072.42	10 pcs.
2	Optima profile fixing	Ref. No. alu-grey	PU
for railing system		12820.32	2/40 pcs.
		12821.32	100 pcs. loose
2 pcs. per bag / 40 pcs per box			
3	Smart Board Optima	Ref. No. alu-grey	PU
		12850.32	20 pcs.



PU = Packing Unit



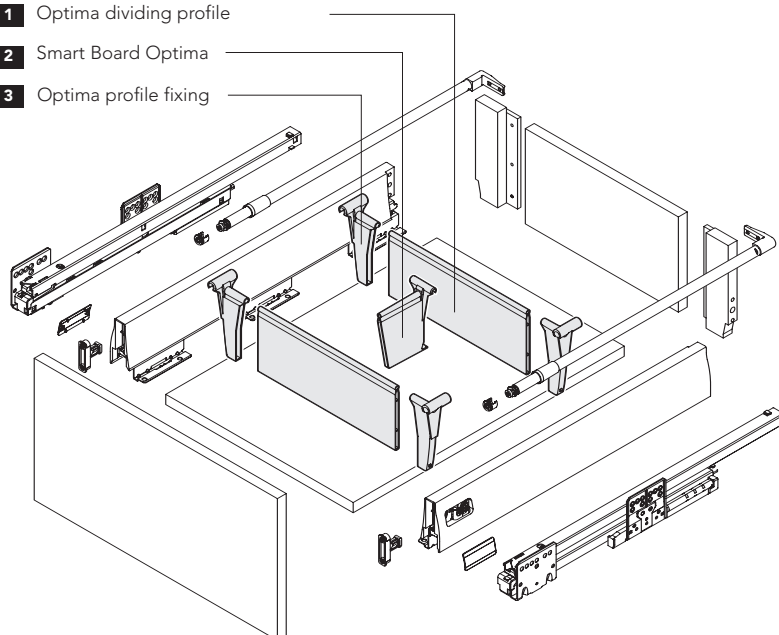
Cutting dimensions for Magic Optima dividing profile



Magic Optima profile for railing system

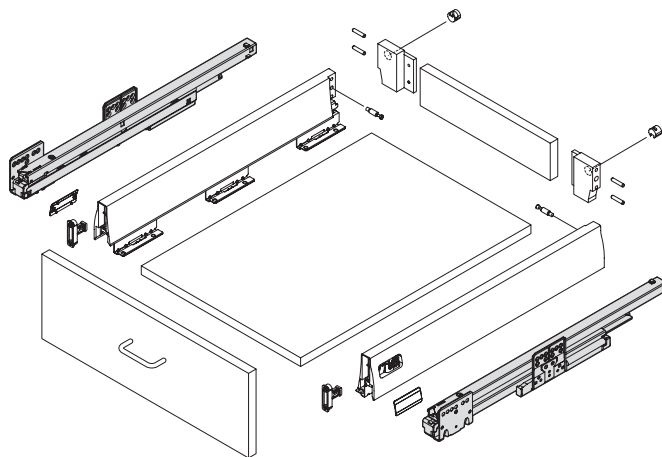
Pot drawer with Magic Optima organizing system

- 1 Optima dividing profile
- 2 Smart Board Optima
- 3 Optima profile fixing



## Full extension runners with integrated Soft-close®

### Dynamic XP Full extension 40 kg



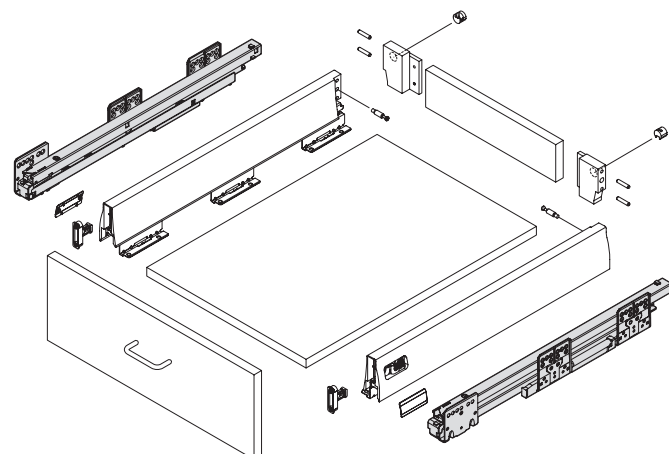
Nominal length in mm	Ref. No.	PU	Ref. No.	PU
275	6500.275.5	1 set	6505.275.5	20 set
350	6500.350.5		6505.350.5	
400	6500.400.5		6505.400.5	
450	6500.450.5		6505.450.5	
500	6500.500.5		6505.500.5	
550	6500.550.5		6505.550.5	

PU 1 = 1 set / Full extension, 40 kg, left and right  
 PU 20 = 20 Full extension, 40 kg, left and right in separate boxes

#### Alternative with Self-close

Nominal length in mm	Ref. No.	PU	Ref. No.	PU
275			6555.275.5	20 set
350			6555.350.5	
400			6555.400.5	
450			6555.450.5	
500			6555.500.5	
550			6555.550.5	

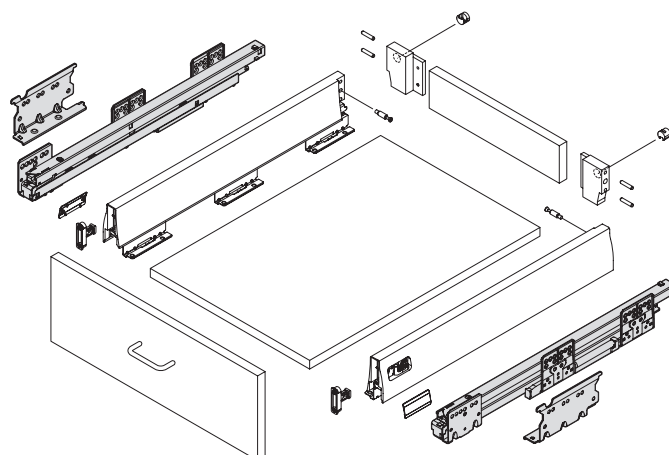
### Dynamic XP Full extension 60 kg



Nominal length in mm	Ref. No.	PU	Ref. No.	PU
400	6510.400.5	1 set	6515.400.5	20 set
450	6510.450.5		6515.450.5	
500	6510.500.5		6515.500.5	
550	6510.550.5		6515.550.5	
600	6510.600.5		6515.600.5	
650	6510.650.5		6515.650.5	

PU 1 = 1 set / Full extension, 60 kg, left and right  
 PU 20 = 20 Full extension, 60 kg, left and right

### Dynamic XP Full extension 80 kg incl. heavy duty profile



Nominal length in mm	Ref. No.	PU	Ref. No.	PU
500	6520.500.5	1 set		
550	6520.550.5			
600	6520.600.5			
650	6520.650.5			

PU 1 = 1 set / Full extension, 80 kg, left and right

PU = Packing Unit





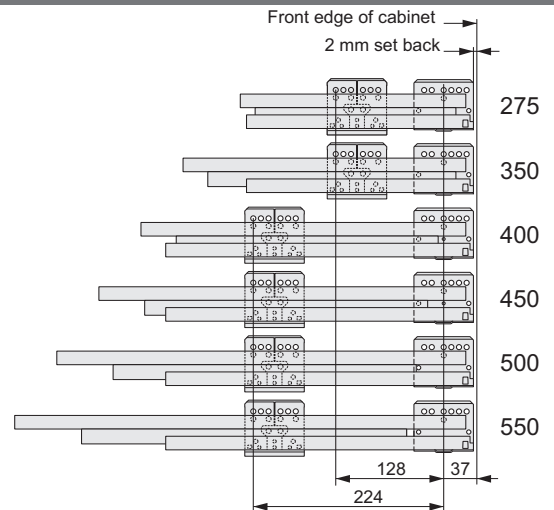
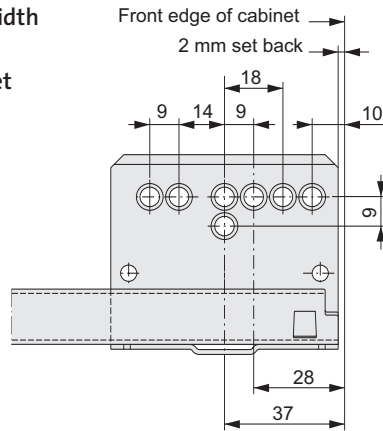
40 kg  
60 kg  
80 kg

Synchronized full extension runners for drawers und Pot drawers with integrated Soft-close technology.  
Non-warping quiet floating movement with unique closing motion.

#### Mounting positions for cabinet profile 40 kg

##### Recommendation:

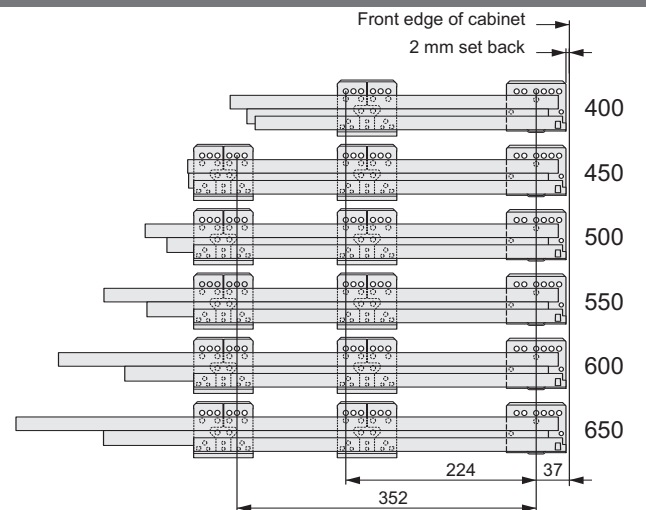
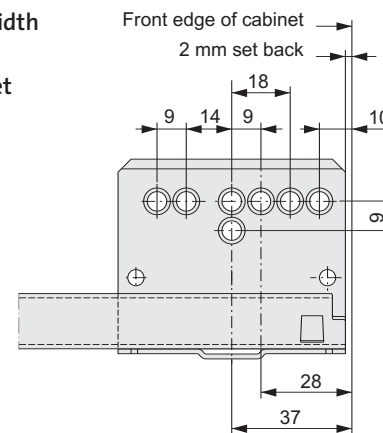
- For drawers with cabinet width up to 750 mm
- For Pot drawers with cabinet width up to 550 mm



#### Mounting positions for cabinet profile 60 kg

##### Recommendation:

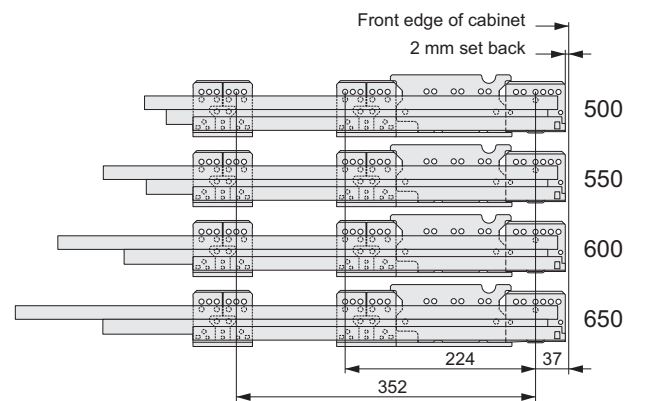
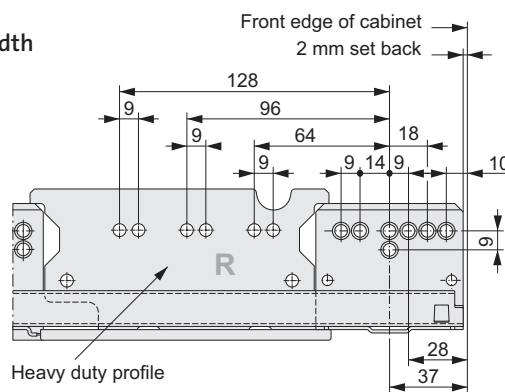
- For drawers with cabinet width 800-1200 mm
- For Pot drawers with cabinet width 600-1200 mm



#### Mounting positions for cabinet profile 80 kg

##### Recommendation:

- For Pot drawers with cabinet width 800-1200 mm



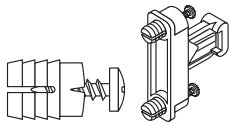
For mounting to cabinet side we recommend Euro screws

Additional mounting positions on page 9.

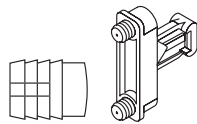
## Technical Information

### Installation instruction

Expanding dowel  
Ø 10 x 12 mm



Press-in dowel  
Ø 10 x 12 mm

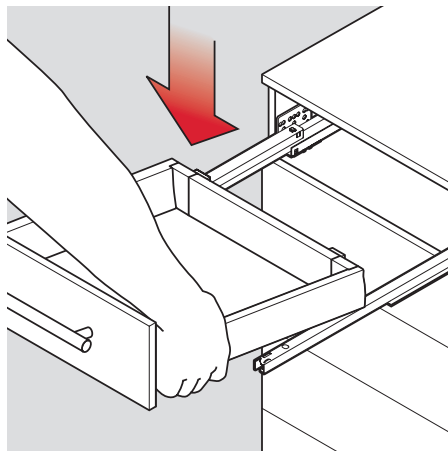


#### Front fastening with press-in dowels

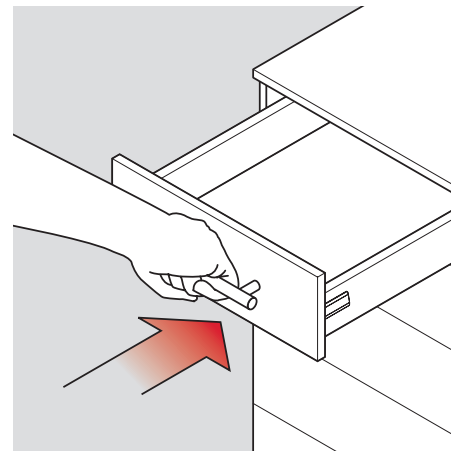
When using front fixings with press-in dowels, the front drillings must be appropriately countersunk.

The sharp drilling edges produced with hard surface coatings, e.g. melamine, can to some extent shear away the dowel protrusions when they are pressed in. This can significantly reduce the pull-out strength. Alternatively, front fixings with expanding dowels can be used, which does not require any countersinking and still guarantees optimal holding.

### Drawer insertion

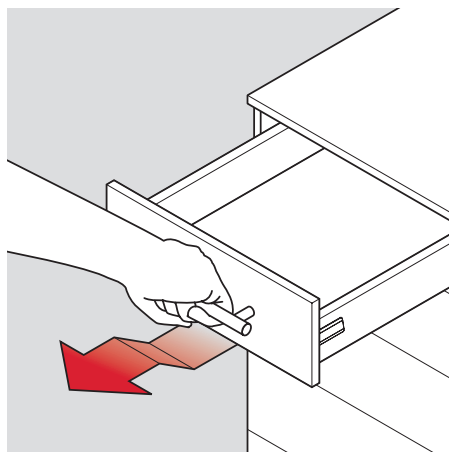


Place onto extended slides.

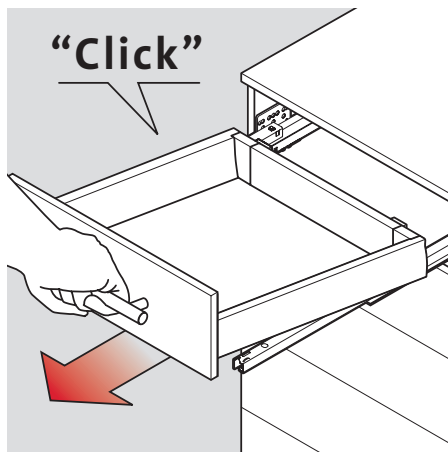


Raise gently at the front and close, when fully closed – automatically locked.

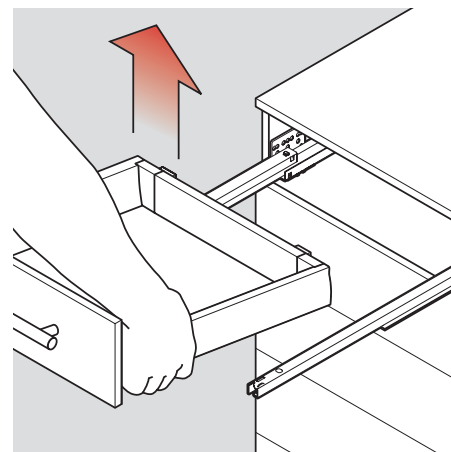
### Drawer removal



Open drawer, slightly raise approx. 10 cm before end stop.

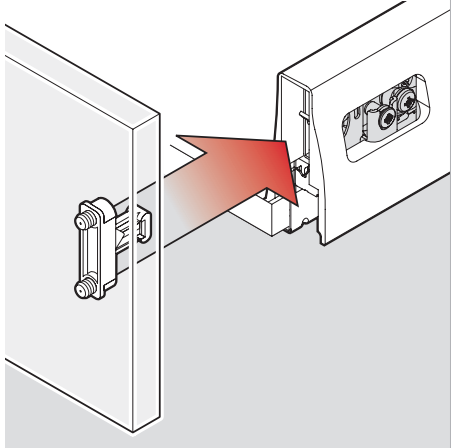
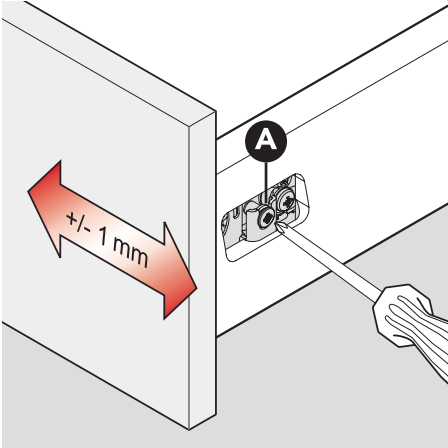
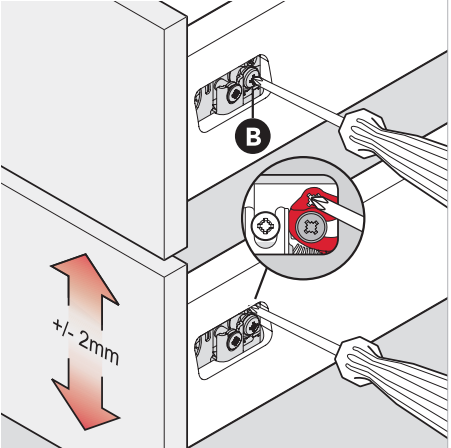
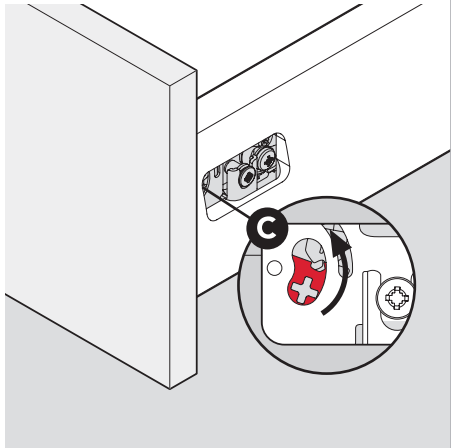
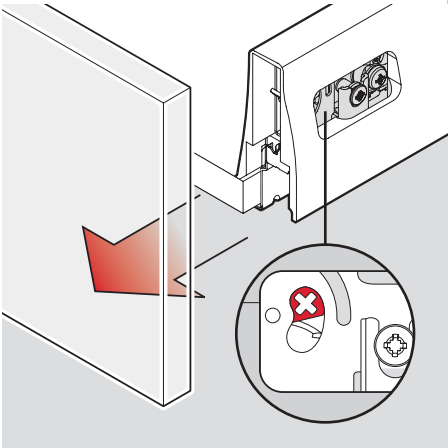
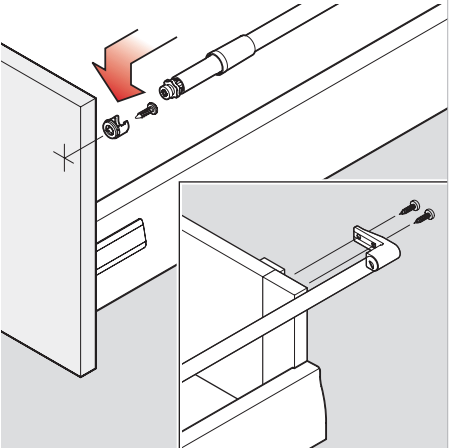


Lift when extended and pull out horizontally.



Drawer can be removed.



Drawer front mounting	Side adjustment	Eccentric height adjustment
 <p>Insert front holder into drawer. Drawer front clicks in automatically and is fixed.</p>	 <p>Turn screw (A). Due to integrated side adjustment only right side has to be adjusted.</p>	 <p>Loosen fixing screws (B) <b>on both sides</b>, adjust drawer front and tighten screws again.</p>
Drawer front demounting	Screw-on Railing mounting	
 <p>Loosen screw (C) with Pozi driver # 2 on both sides.</p>	 <p>Drawer front can be removed. Loosen bottom-/front connector if used.</p>	 <p>Screw front fixing bracket onto both sides of front and insert dividing rail. Screw Railing onto the drawer back.</p>

We bring movement in your furniture.



**MEPLA**  **ALFIT**  
*Feel the motion !*

**MEPLA-WERKE**

**Lautenschläger GmbH & Co. KG**

Egerländer Straße 2

D 64354 Reinheim

Telefon ++49 (0) 61 62 / 8 02 - 0

Telefax ++49 (0) 61 62 / 8 02 - 181

E-Mail [info@mepla-alfit.de](mailto:info@mepla-alfit.de)

**Alfit AG**

Sennemahd 10

A 6840 Götzis

Telefon ++43 (0) 55 23 / 59 60 - 0

Telefax ++43 (0) 55 23 / 6 45 10

E-Mail [info@mepla-alfit.com](mailto:info@mepla-alfit.com)



The symbol for  
your demanding  
needs.

[www.mepla-alfit.com](http://www.mepla-alfit.com)