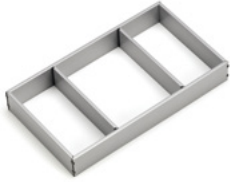


1 Tavinea Sorto B186



NL 350



NL 400-500



NL 550-650

2 Tavinea Sorto B276



NL 400



NL 450-500

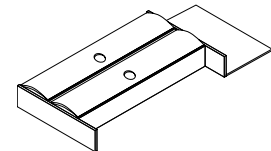
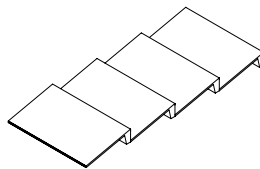
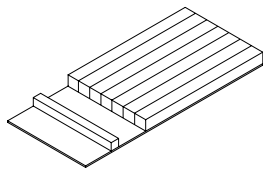


NL 550-650

3 Tavinea Sorto length divider



For Tavinea Sorto accessories NL 450-550, see page 580



LEGEND

B Width
KB Cabinet width
NL Nominal length

TAVINEA SORTO

Accessories

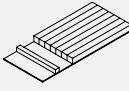
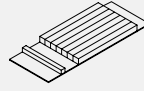


- The perfect accessories for any application
- Knives, spice jars, foil rolls, cutlery or even perfume – with Tavinea Sorto accessories, everything is perfectly sorted
- High-quality materials: aluminium and solid wood
- Can be used with Nova Pro Scala and Nova Pro Deluxe

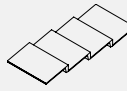
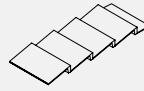
Note:

- Accessories are hygiene-tested and food-safe

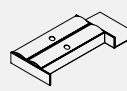
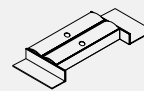
ORDER INFORMATION

1 Knife block Single item				
	NL 450	NL 500	NL 550 ¹	
Light ash	F007108657	F007101990	F007101990	F007108659
Dark ash	F007108658	F007101995	F007101995	F007108660

¹ NL 550 consists of a knife block and levelling element. Please order both article numbers.

2 Spice rack Single item				
		NL 500	NL 550 ¹	
Light ash		F007101992	F007101992	F007108659
Dark ash		F007101997	F007101997	F007108660

¹ NL 550 consists of a spice rack and a levelling element. Please order both article numbers.

3 Foil roll holder Single item				
		NL 500	NL 550 ¹	
Light ash		F007101994	F007101994	F007108659
Dark ash		F007101999	F007101999	F007108660

¹ NL 550 consists of a foil roll holder and levelling element. Please order both article numbers.

PAGE REFERENCES

Nova Pro Scala	302				
Tavinea Sorto	578				
Planning dimensions	582				

1 Knife block



2 Spice rack

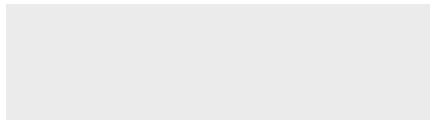
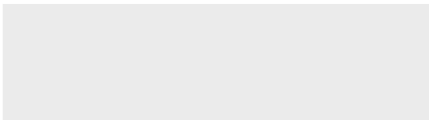
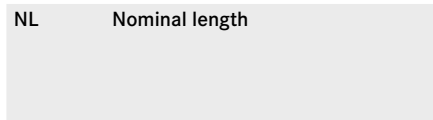


3 Foil roll holder



LEGEND

NL Nominal length



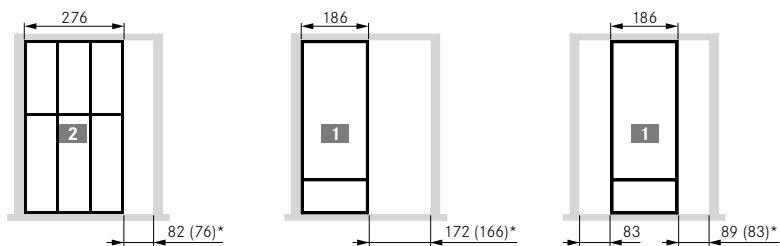
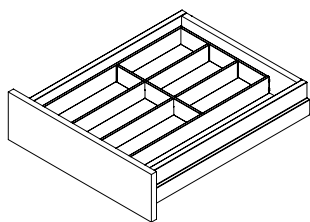
1
2
3
4
5
6
7
8

TAVINEA SORTO

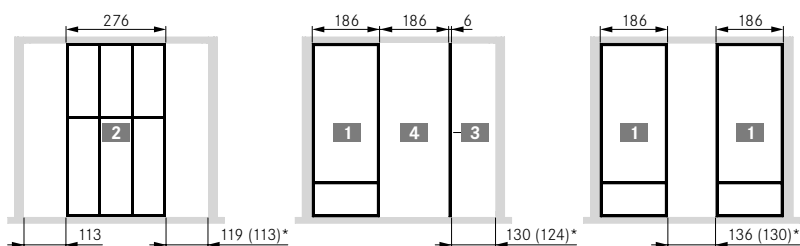
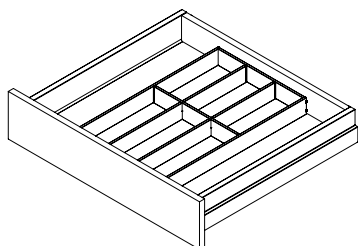
Planning dimensions

APPLICATION EXAMPLES

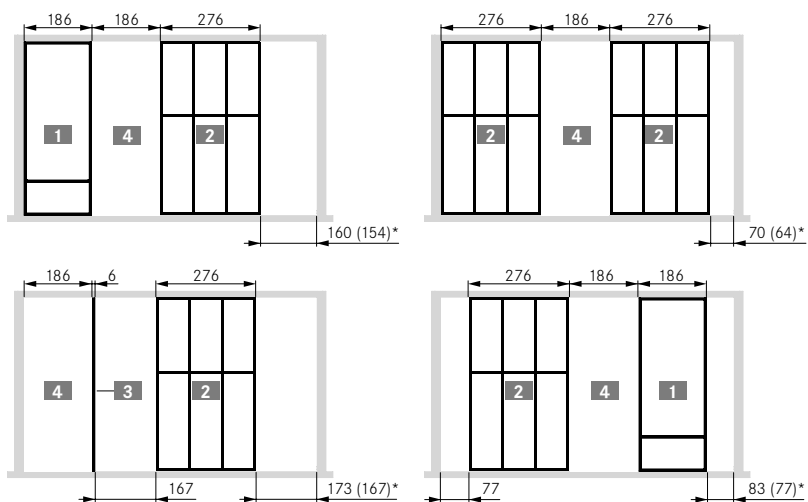
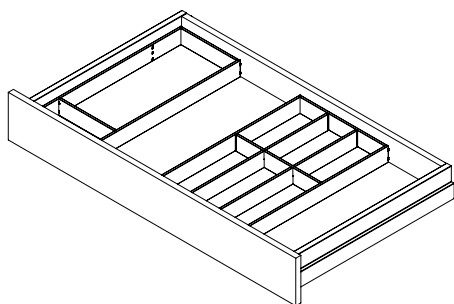
KB 450



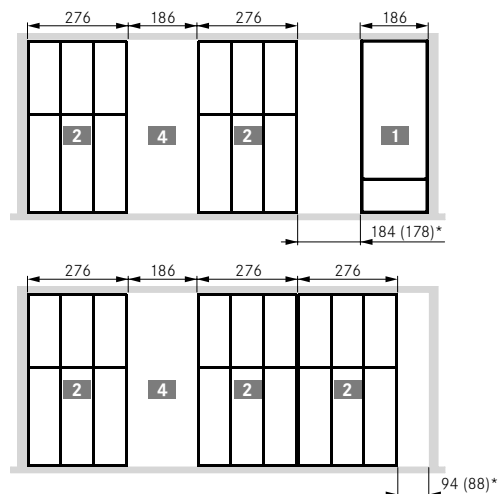
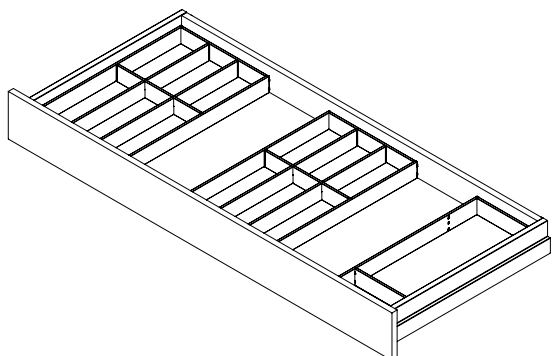
KB 600



KB 900



KB 1200



* S16 (S18/S19)

APPLICATION EXAMPLE

Description

1

2

3

4

NL	X
350	329
400	379
450	429
500	479
550	530
600	580
650	630

PLANNING DIMENSIONS

Description

$$LWS = KB - (2 \times S) - (2 \times EB) - (2 \times 1 \text{ mm TAG})$$

S/EB	Outside cabinet width (KB)									
	300	400	450	500	600	800	900	1000	1200	
16/29	208	308	358	408	508	708	808	908	1108	
18/30	202	302	352	402	502	702	802	902	1102	
19/29	202	302	352	402	502	702	802	902	1102	

Inside drawer width (LWS)

LEGEND

EB	Installation width	S	Cabinet side wall	
KB	Cabinet width	TAG	Tolerance compensation	
LWS	Inside drawer width			
NL	Nominal length			

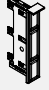

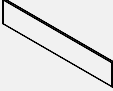
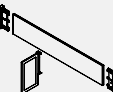
TAVINEA OPTIMA

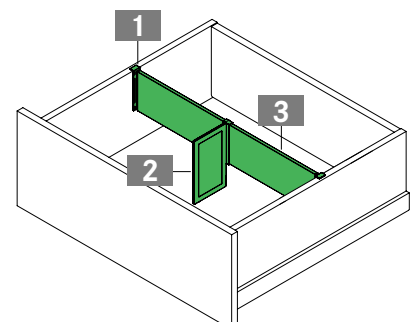
Dividing system



- Dividing system for pot drawers
- Organisation of storage space making everything visible at a glance
- Simple, tool-free assembly
- Tool-free adjustment for variable use of storage space
- Can be retrofitted at any time
- Colour-coordinated with all Nova Pro Scala drawer sides
- Can be used with Nova Pro Scala

ORDER INFORMATION

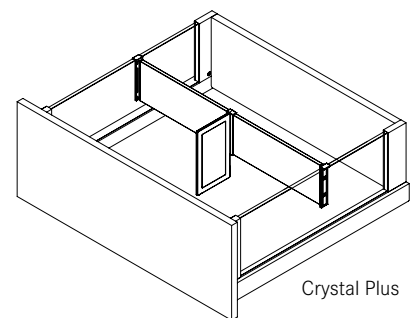
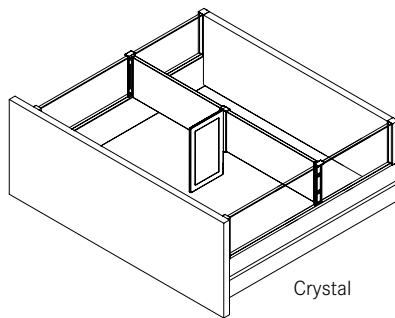
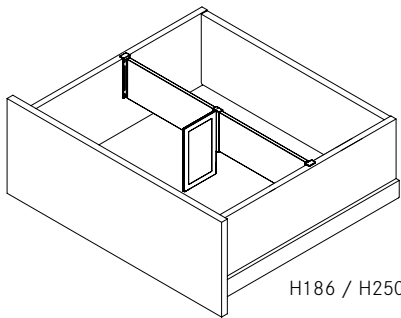
1 Tavinea Optima profile clip													
Single item: can be used on left/right													
		Stone			Ice			Silver					
		Art. No.			Art. No.			Art. No.					
		F007130228			F007130229			F007130230					
2 Tavinea Optima smartboard													
Single item													
		Stone			Ice			Silver					
		Art. No.			Art. No.			Art. No.					
		F007130245			F007130246			F007130247					
3 Tavinea Optima divider profile													
Single item: for cutting to length													
L		Stone			Ice			Silver					
		Art. No.			Art. No.			Art. No.					
1098		F007130234			F007130235			F007130236					
Tavinea Optima													
Set (KB 600): divider profile, profile clip (2 x) and Smartboard (2 x)													
Set (KB 900): divider profile, profile clip (2 x) and Smartboard (3 x)													
Set (KB 1200): divider profile, profile clip (2 x) and Smartboard (4 x)													
S 16		Stone			Ice			Silver					
KB		Art.-no.			Art.-no.			Art.-no.					
600		F007130258			F007130272			F007130286					
900		F007130261			F007130275			F007130289					
1200		F007130264			F007130278			F007130292					
S 18 / 19		Stone			Ice			Silver					
KB		Art.-no.			Art.-no.			Art.-no.					
600		F007130355			F007130369			F007130383					
900		F007130358			F007130372			F007130386					
1200		F007130361			F007130375			F007130389					



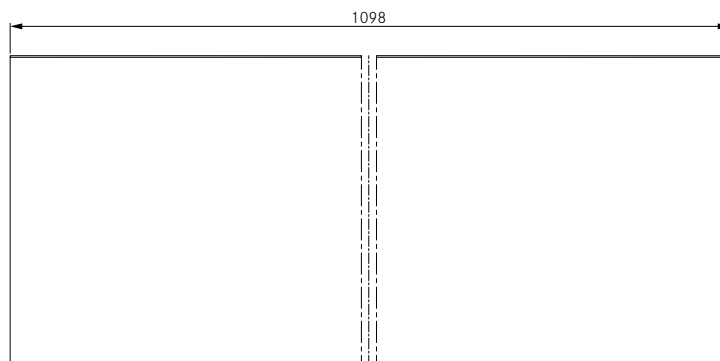
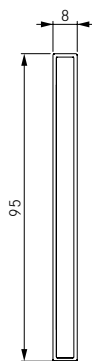
PLANNING DIMENSIONS

All dimensions in millimetres

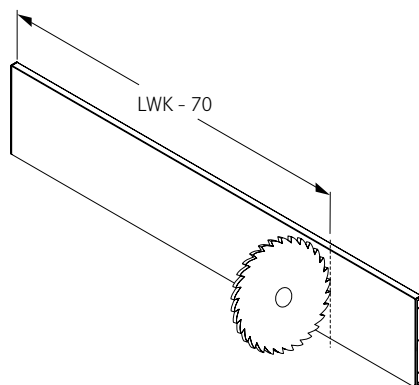
Applications



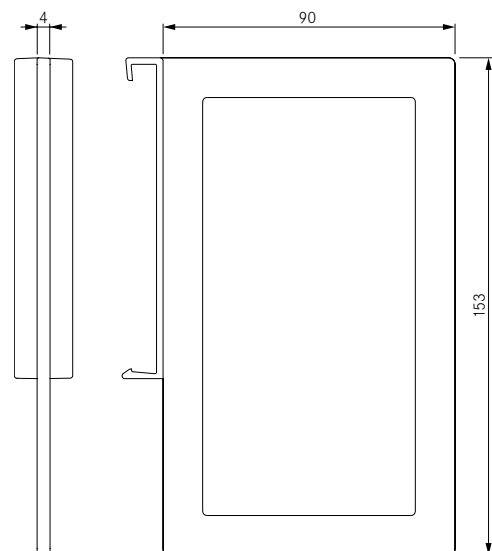
Divider profile



Cutting dimensions for divider profile



Smartboard



LEGEND

L Length
LWK Inside cabinet width

1

2

3

4

5

6

7

8

DRAWER DIVIDER

Dividing system

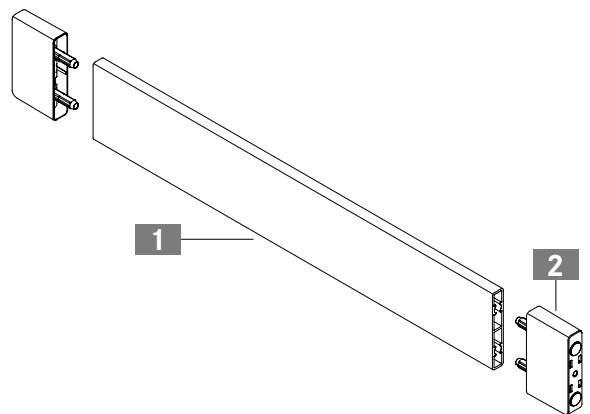


- Elegant organisation of storage space by dividing the drawer
- Compensation of cabinet side wall thickness through spring-loaded clamping elements
- Aluminium profiles for cutting to length
- Easy to install
- Tool-free adjustment
- Can be retrofitted at any time
- Colour-coordinated with all Nova Pro Scala drawer sides
- Can be used with Nova Pro Scala and Nova Pro Deluxe

ORDER INFORMATION

1 Drawer divider, aluminium profile, L = 1185 mm Single item: for cutting to length											
L	Stone			Ice			Silver				
	Art. No.			Art. No.			Art. No.				
1185	F102102943			F102102944			F102102945				

2 Clamping unit Single item: can be used on left/right											

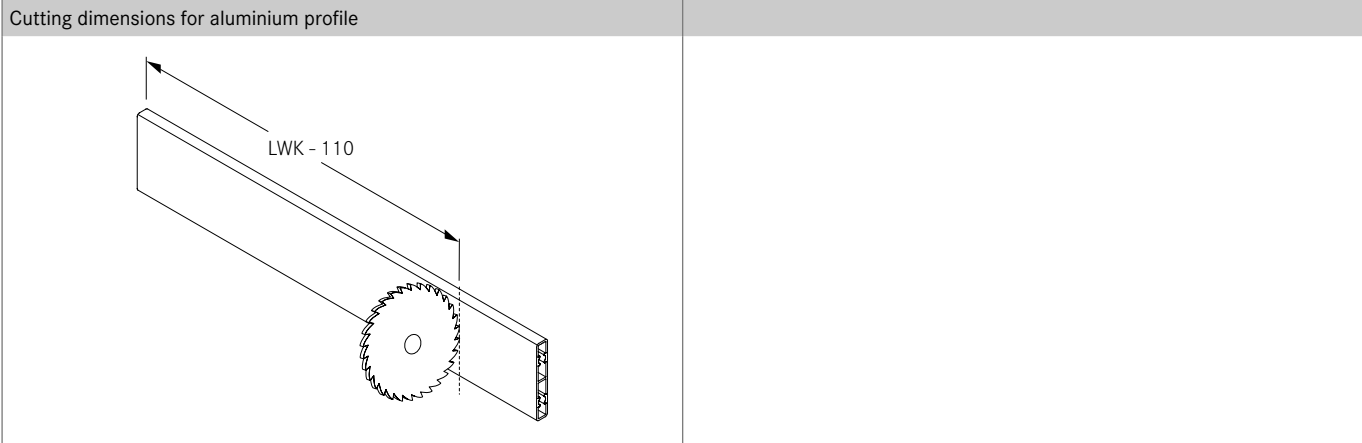
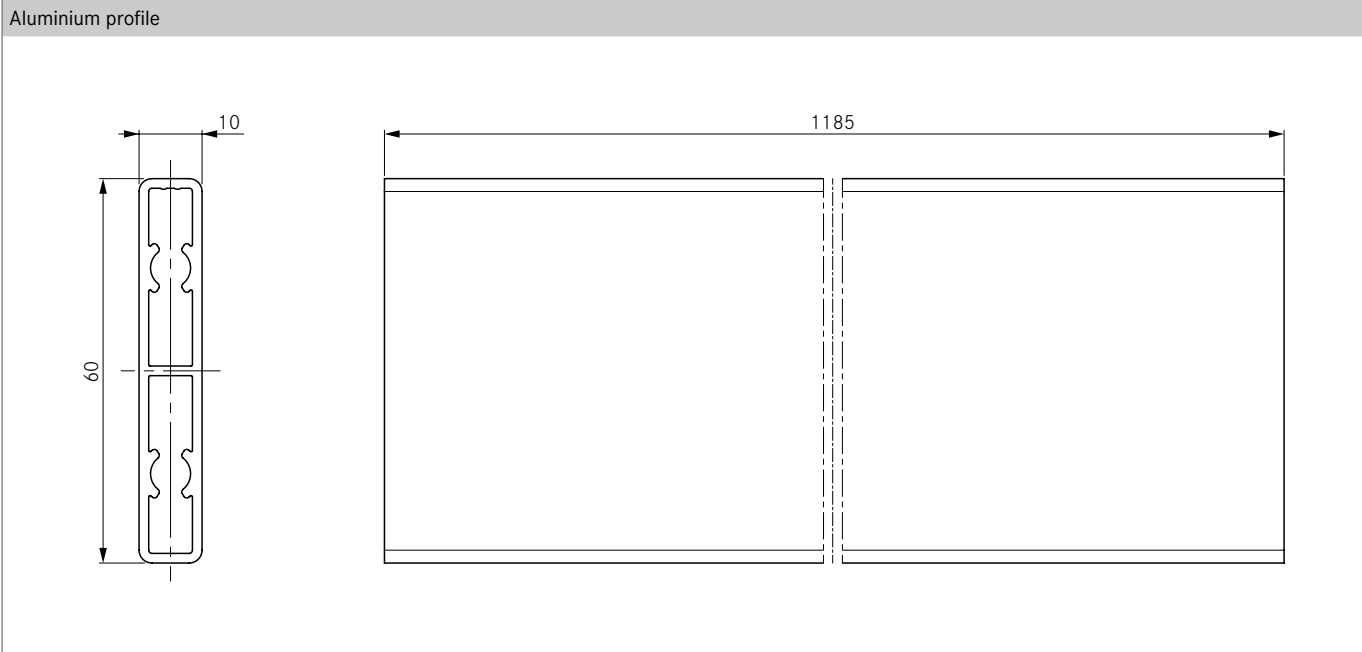


PAGE REFERENCES

Nova Pro Scala	302

PLANNING DIMENSIONS

All dimensions in millimetres



1

2

3

4

5

6

7

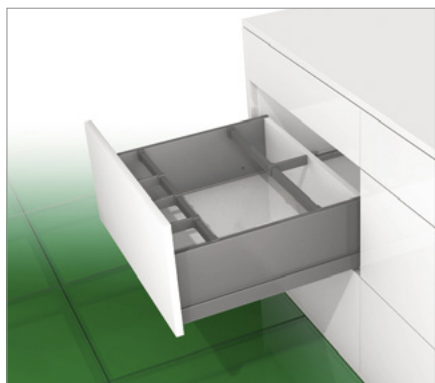
8

LEGEND

L	Length
LWK	Inside cabinet width

CROSS RAIL AND LONGITUDINAL DIVIDER

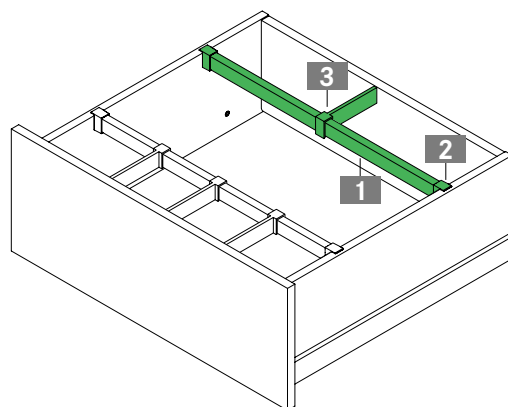
Dividing system



- Elegant organising system for mounting on drawer sides
- Aluminium profiles for cutting to length
- Easy assembly through spring-loaded divider railing clips
- Optional, snap-on longitudinal dividers
- Tool-free adjustment
- Can be retrofitted at any time
- Colour-coordinated with all Nova Pro Scala drawer sides
- Can be used with Nova Pro Scala

ORDER INFORMATION

1 Cross rail made of aluminium Single item: for cutting to length													
L	Stone			Ice			Silver						
	Art. No.			Art. No.			Art. No.						
1150	F102108653			F102108654			F102108655						
2 Divider railing clip, universal Single item: can be used on left/right													
	Stone			Ice			Silver						
	Art. No.			Art. No.			Art. No.						
	F102108835			F102108834			F102108836						
3 Longitudinal divider for cross rail Single item													
L	Stone			Ice			Silver						
	Art. No.			Art. No.			Art. No.						
100	F102109962			F102109963			F102109964						



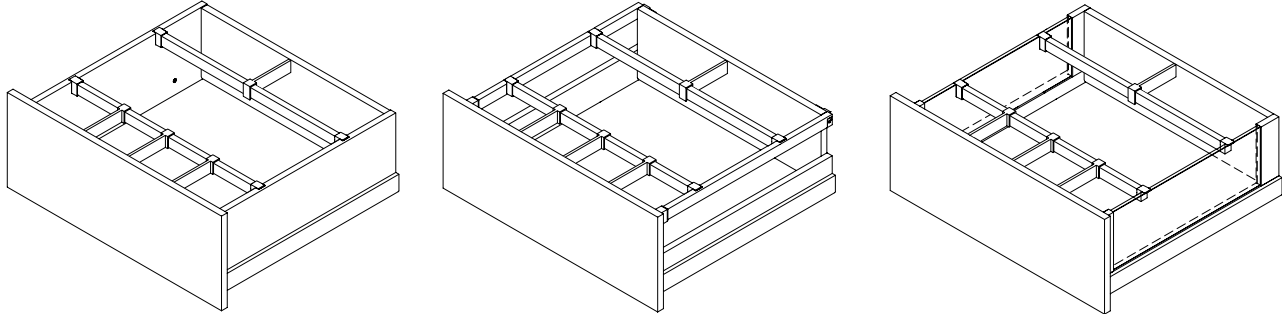
PAGE REFERENCES

Nova Pro Scala	302

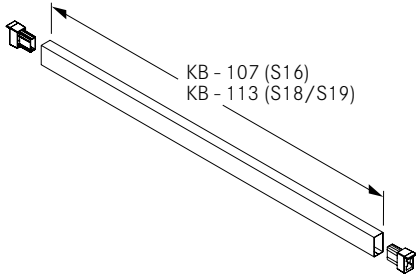
PLANNING DIMENSIONS

All dimensions in millimetres

Applications: cross rail with universal divider railing clip and longitudinal divider for all Nova Pro Scala drawer versions



Cutting dimensions for cross rail



1

2

3

4

5

6

7

8

LEGEND

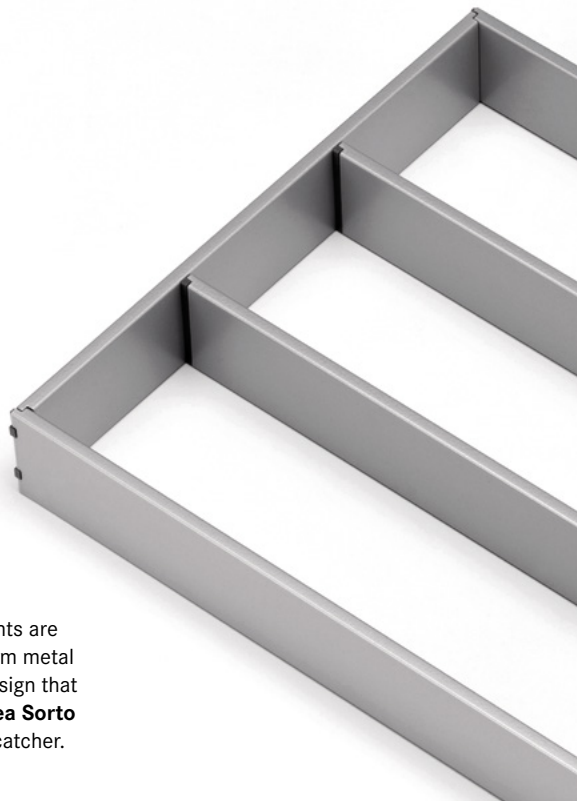
KB	Cabinet width
L	Length
S	Cabinet side wall



Whether one, two or three dividing elements, the Tavinea Sorto frame system can be used to quickly and easily organise drawers of any width.

Tavinea Sorto for DWD XP drawers

Organising. Dividing.
Fitting out.




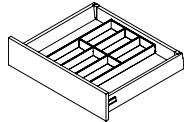
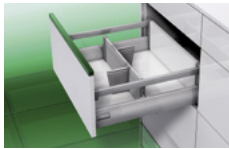
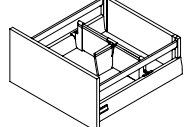
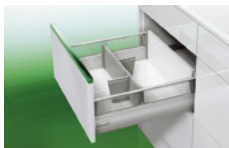
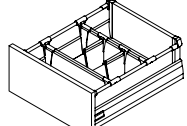
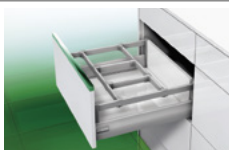
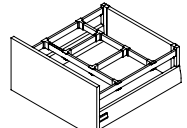
The frame elements are made of 6 mm slim metal profiles with a design that makes the **Tavinea Sorto** a functional eye-catcher.

Magic Optima. Dividing system for pot drawers.

Placed on the DWD XP round railing, the closed and flexible elements of Magic Optima ensure that everything stays in place inside the drawers.



Dividing and organising systems for DWD XP regular and pot drawers

	Product description		Page
	<p>Tavinea Sorto</p> <ul style="list-style-type: none"> • Modular interior accessory system • Perfect organisation inside drawers for cutlery and small sundry items • High-quality frames and length dividers made of powder-coated steel 		592
	<p>DWD XP Magic Optima for pot drawer division</p> <ul style="list-style-type: none"> • Individual dividing system for pot drawers with drawer side height of H95 • Simple, tool-free assembly • Tool-free adjustment for variable use of storage space 		598
	<p>DWD XP Magic Optima for round railing</p> <ul style="list-style-type: none"> • Individual dividing system for pot drawers with drawer side height of H95 and round railing • Simple, tool-free assembly • Tool-free adjustment for variable use of storage space 		600
	<p>DWD XP rectangular cross divider</p> <ul style="list-style-type: none"> • Divider profile for cutting to length • Simple, tool-free assembly • Can be retrofitted at any time 		602

1

2

3

4

5

6

7

8

TAVINEA SORTO

Interior accessory system



- Perfect organisation inside drawers for cutlery and small sundry items
- High-quality frames and length dividers made of powder-coated steel
- Innovative anti-slip pads ensure that the frames stay in place

Notes:

- Tavinea Sorto B186 can be used for cabinet width 300 and above
- Tavinea Sorto B276 can be used for cabinet width 400 and above

ORDER INFORMATION

1 Tavinea Sorto B186													
Single item													
NL	Silver grey				Graphite								
	Art. No.				Art. No.								
350	F007130148				F007130149								
400	F007130151				F007130152								
450	F007130154				F007130155								
500	F007130157				F007130158								
550	F007130160				F007130161								
600	F007130163				F007130164								
650	F007130166				F007130167								

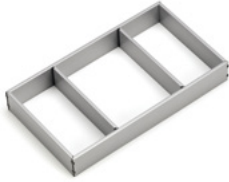
2 Tavinea Sorto B276													
Single item													
NL	Silver grey				Graphite								
	Art. No.				Art. No.								
400	F007130130				F007130131								
450	F007130133				F007130134								
500	F007130136				F007130137								
550	F007130139				F007130140								
600	F007130142				F007130143								
650	F007130145				F007130146								

3 Tavinea Sorto length divider													
Single item													
NL	Silver grey				Graphite								
	Art. No.				Art. No.								
350	F007130169				F007130170								
400	F007130172				F007130173								
450	F007130175				F007130176								
500	F007130178				F007130179								
550	F007130181				F007130182								
600	F007130184				F007130185								
650	F007130187				F007130188								

PAGE REFERENCES

DWD XP	403		
Accessories	594		
Planning dimensions	596		

1 Tavinea Sorto B186



NL 350



NL 400-500

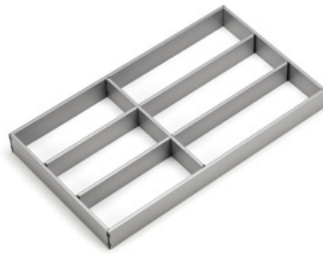


NL 550-650

2 Tavinea Sorto B276



NL 400



NL 450-500

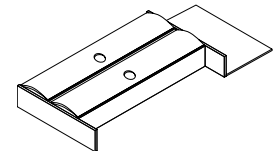
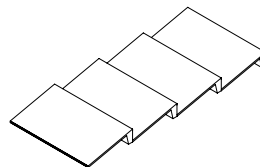
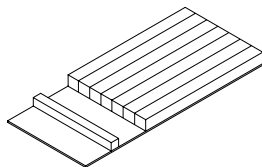


NL 550-650

3 Tavinea Sorto length divider



For Tavinea Sorto accessories, see page 594



LEGEND

B Width
KB Cabinet width
NL Nominal length

TAVINEA SORTO

Accessories

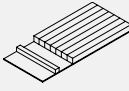
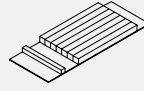


- The perfect accessories for any application
- Knives, spice jars, foil rolls, cutlery or even perfume – with Tavinea Sorto accessories, everything is perfectly sorted
- High-quality materials: aluminium and solid wood

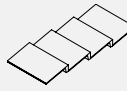
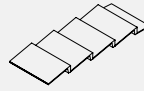
Note:

Accessories are hygiene-tested and food-safe

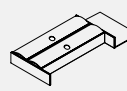
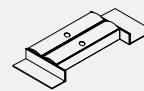
ORDER INFORMATION

1 Knife block Single item				
	NL 450	NL 500	NL 550 ¹	
Material	NL 450	NL 500	NL 550 ¹	
Light ash	F007108661	F007102418	F007102418	F007108659
Dark ash	F007108662	F007102424	F007102424	F007108660

¹ NL 550 consists of a knife block and levelling element. Please order both article numbers.

2 Spice rack Single item				
		NL 500	NL 550 ¹	
Material		NL 500	NL 550 ¹	
Light ash		F007102420	F007102420	F007108659
Dark ash		F007102426	F007102426	F007108660

¹ NL 550 consists of a spice rack and a levelling element. Please order both article numbers.

3 Foil roll holder Single item				
		NL 500	NL 550 ¹	
Material		NL 500	NL 550 ¹	
Light ash		F007102422	F007102422	F007108659
Dark ash		F007102428	F007102428	F007108660

¹ NL 550 consists of a foil roll holder and levelling element. Please order both article numbers.

PAGE REFERENCES

DWD XP	403				
Tavinea Sorto	592				
Planning dimensions	596				

1 Knife block



2 Spice rack

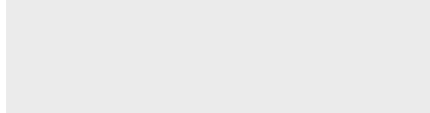
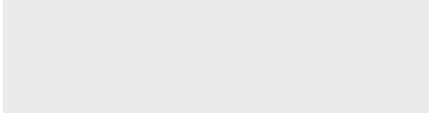
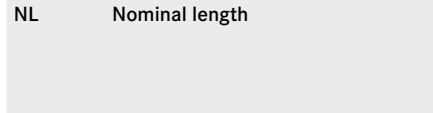


3 Foil roll holder



LEGEND

NL Nominal length

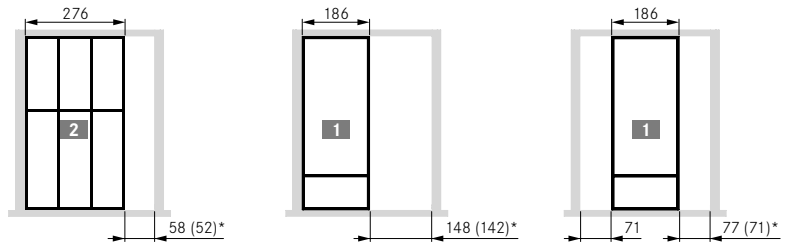
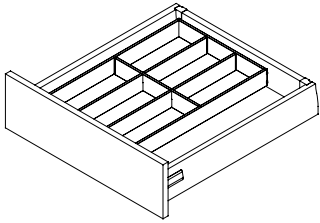


TAVINEA SORTO

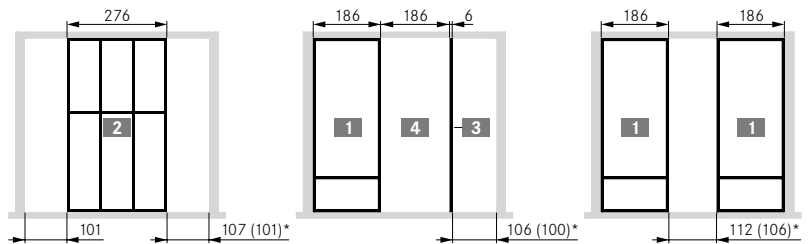
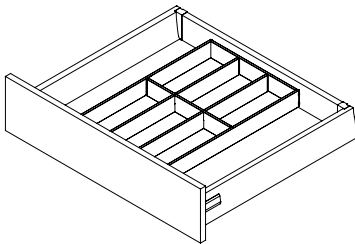
Planning dimensions

APPLICATION EXAMPLES

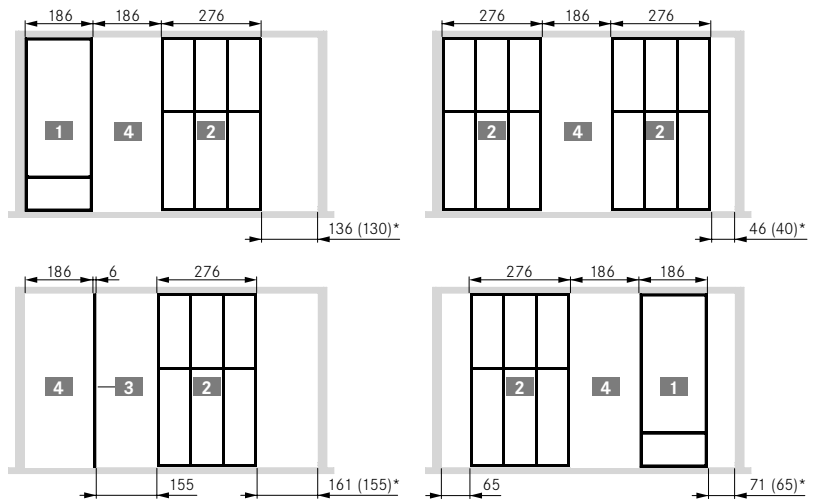
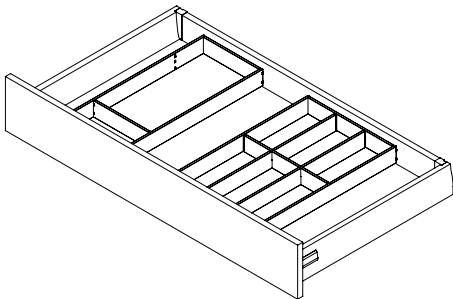
KB 450



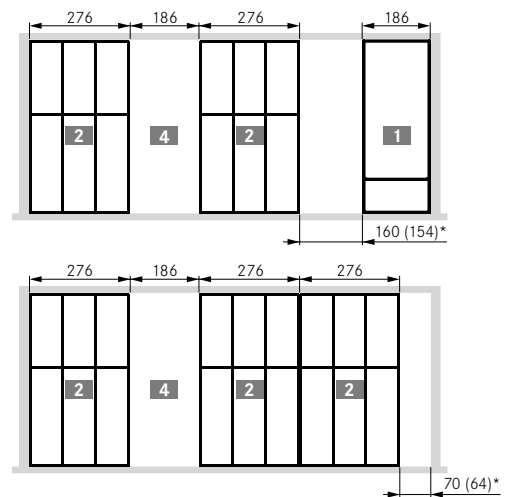
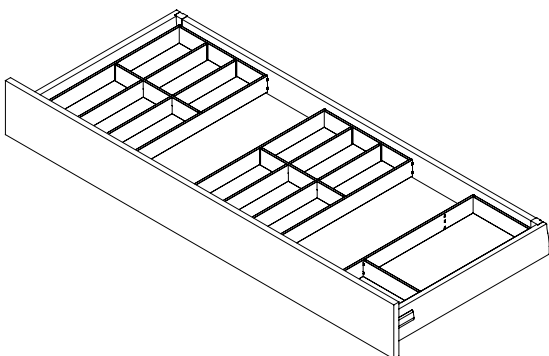
KB 600



KB 900



KB 1200

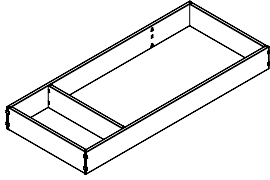


* S16 (S19)

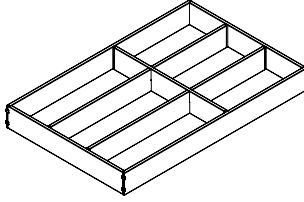
APPLICATION EXAMPLE

Description

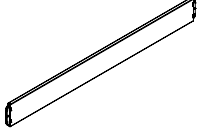
1



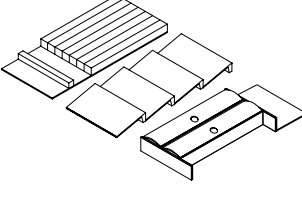
2

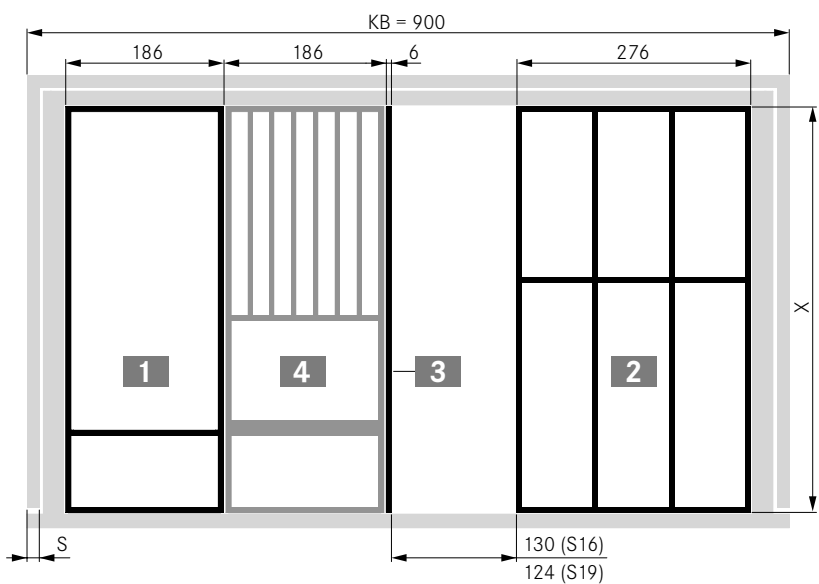


3



4

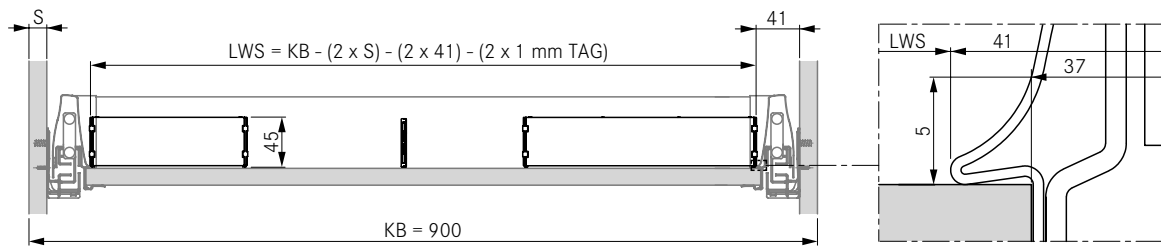




NL	X
350	322
400	372
450	422
500	472
550	523
600	573
650	623

PLANNING DIMENSIONS

Description



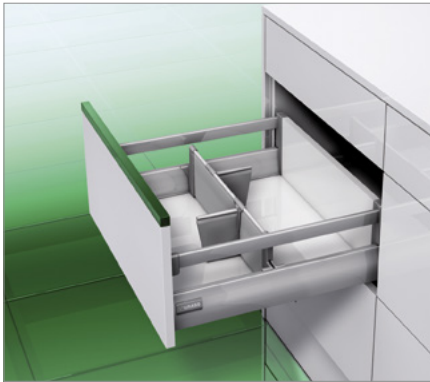
S	Outside cabinet width (KB)									
	300	400	450	500	600	800	900	1000	1200	
16	184	284	334	384	484	684	784	884	1084	
18	180	280	330	380	480	680	780	880	1080	
19	178	278	328	378	478	678	778	878	1078	
Inside drawer width (LWS)										

LEGEND

KB	Cabinet width	TAG	Tolerance compensation
LWS	Inside drawer width		
NL	Nominal length		
S	Cabinet side wall		

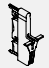
MAGIC OPTIMA


Dividing system

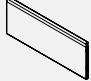


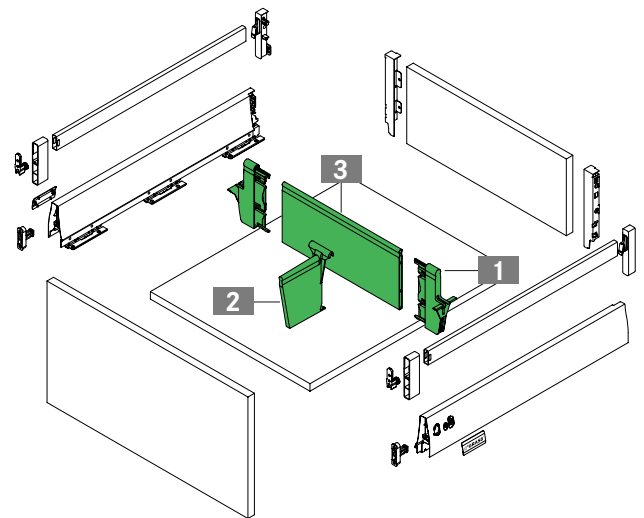
- Individual dividing system for pot drawers with drawer side height of H95 and rectangular/round railing
- Organisation of storage space making everything visible at a glance
- Simple, tool-free assembly
- Tool-free adjustment for variable use of storage space
- Can be retrofitted at any time
- Colour coordinated with drawer sides

ORDER INFORMATION

1		Magic Optima profile clip H95							
		Single item: can be used on left/right							
H	Aluminium metallic		White		Stone				
	Art. No.		Art. No.		Art. No.				
95	F092101577		F092100488		F092136394				

2		Magic Optima smartboard							
		Single item							
	Aluminium metallic		White		Stone				
	Art. No.		Art. No.		Art. No.				
	F092075826		F102100670		F102102838				

3		Magic Optima divider profile							
		Single item: for cutting to length							
L	Aluminium metallic		White		Stone				
	Art. No.		Art. No.		Art. No.				
1072	F092075808		F092075809		F092136393				

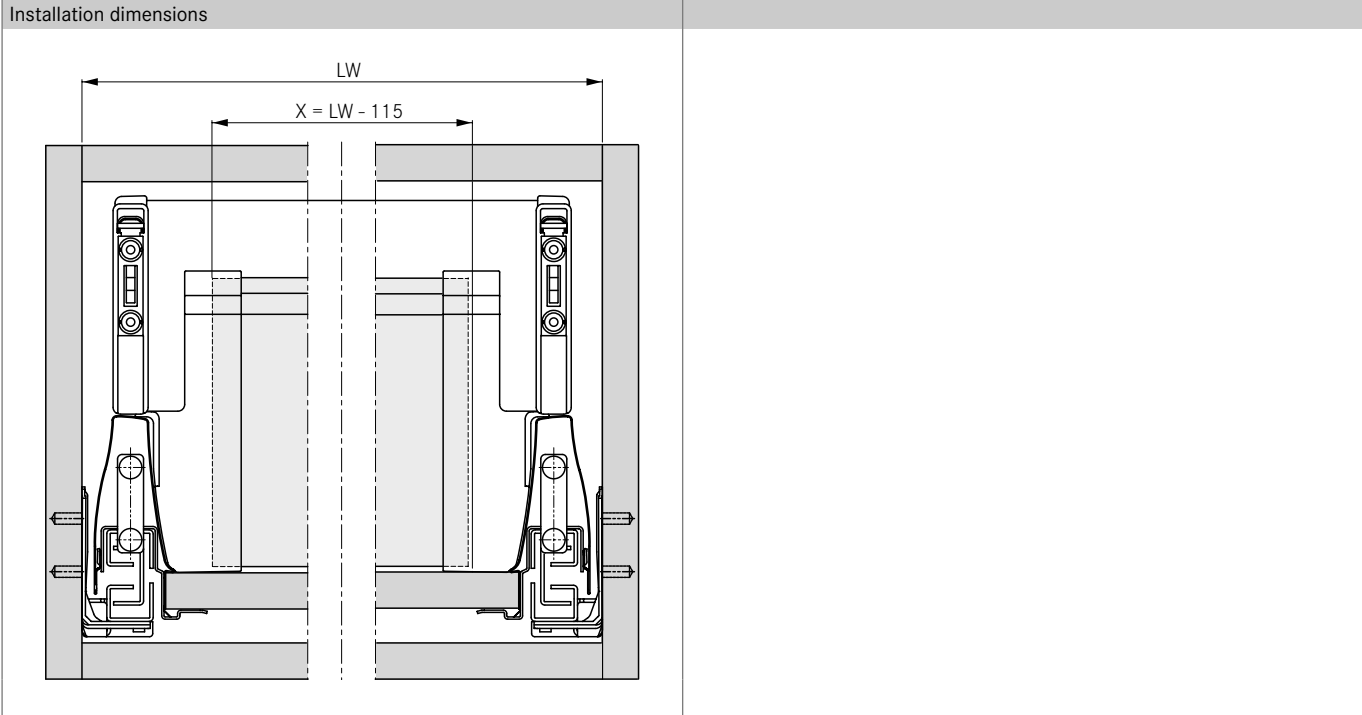


PAGE REFERENCES

DWD XP	403

PLANNING DIMENSIONS

All dimensions in millimetres



1

2

3

4

5

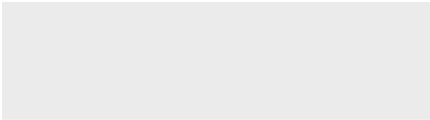
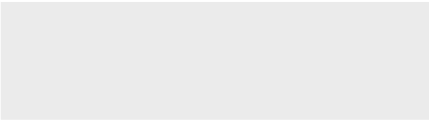
6

7

8

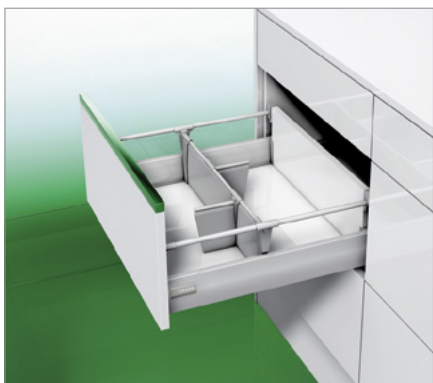
LEGEND

H	Height
L	Length
LW	Inside width




MAGIC OPTIMA FOR ROUND RAILING


Dividing system

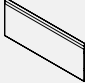


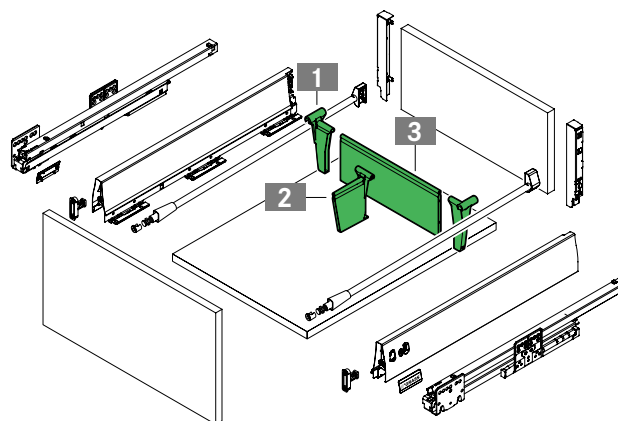
- Individual dividing system for pot drawers with drawer side height of H95 and round railing
- Organisation of storage space making everything visible at a glance
- Simple, tool-free assembly
- Tool-free adjustment for variable use of storage space
- Can be retrofitted at any time
- Colour coordinated with drawer sides

ORDER INFORMATION

1	Magic Optima profile clip for round railing										
	Single item: can be used on left/right										
	Aluminium metallic			White			Stone				
	Art. No.		Art. No.		Art. No.						
	F092075823		F092076844		F092136395						

2	Magic Optima smartboard										
	Single item										
	Aluminium metallic			White			Stone				
	Art. No.		Art. No.		Art. No.						
	F092075826		F102100670		F102102838						

3	Magic Optima divider profile										
	Single item: for cutting to length										
	Aluminium metallic			White			Stone				
L	Art. No.		Art. No.		Art. No.						
1072	F092075808		F092075809		F092136393						

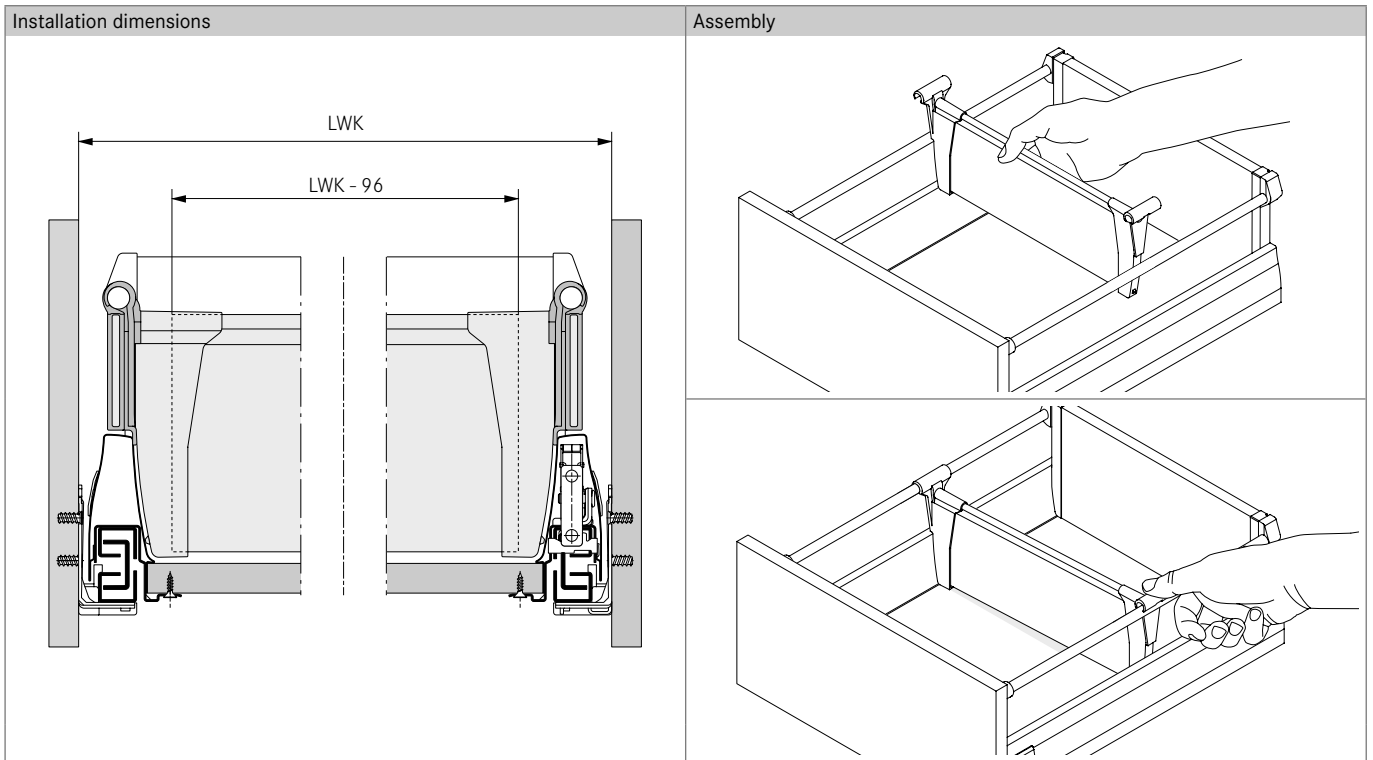


PAGE REFERENCES

DWD XP	403

PLANNING DIMENSIONS

All dimensions in millimetres



1

2

3

4

5

6

7

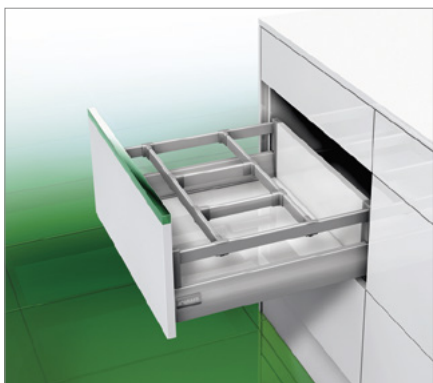
8

LEGEND

L	Length
LWK	Inside cabinet width

RECTANGULAR CROSS DIVIDER

Dividing system

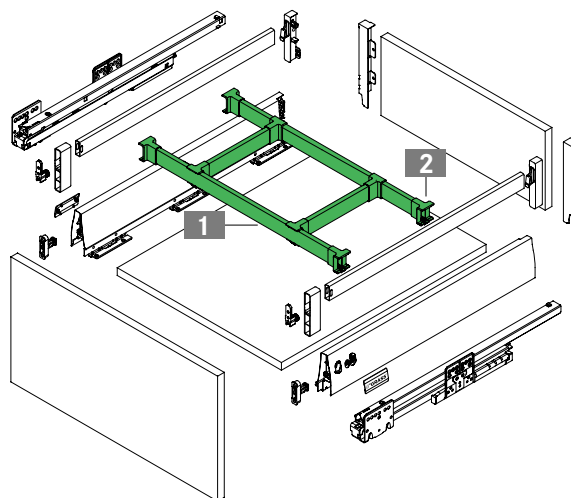


- Simple, tool-free assembly
- Can be retrofitted at any time
- Tool-free adjustment in 25 mm increments
- High stability
- Divider profile for cutting to length

ORDER INFORMATION

1 Rectangular cross divider profile Single item: for cutting to length											
L	Aluminium metallic			White			Stone				
	Art. No.			Art. No.			Art. No.				
1150	F092077417			F092076916			F092136342				

2 Divider railing clip for rectangular railing Single item: can be used on left/right											
	Aluminium metallic			White			Stone				
	Art. No.			Art. No.			Art. No.				
	F092077414			F145096770			F092136401				

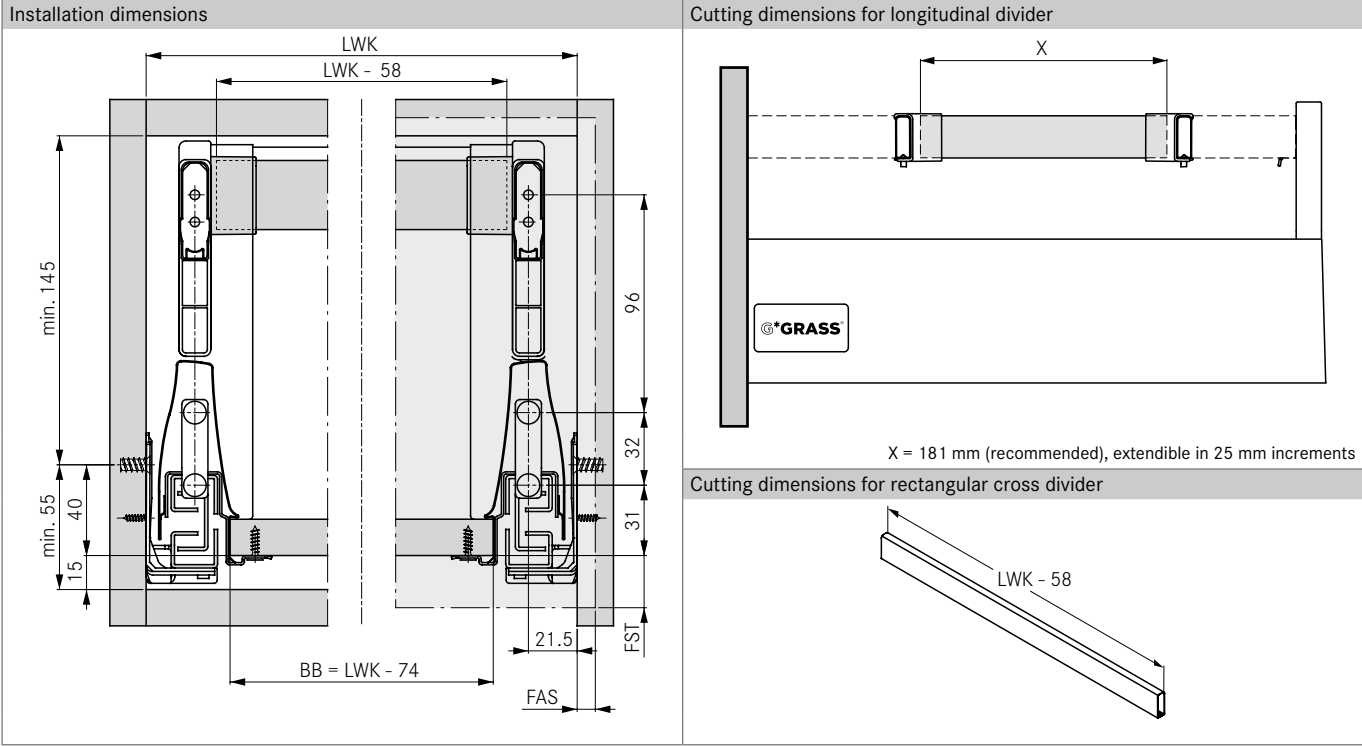


PAGE REFERENCES

DWD XP	403

PLANNING DIMENSIONS

All dimensions in millimetres



1

2

3

4

5

6

7

8

LEGEND

BB	Bottom panel width
FAS	Front overlay, side
FST	Front overlay
L	Length

LWK	Inside cabinet width
-----	----------------------

--	--

G*GRASS®




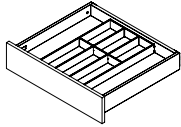

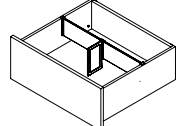
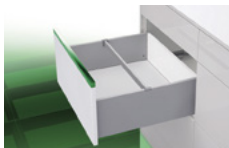
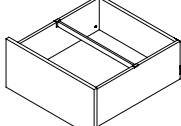
TAVINEA SORTO FOR VIONARO DRAWERS. PURIST, SLEEK DESIGN, MATT SURFACES, TIMELESS COLOURS – THE UNDERSTATED ELEGANCE OF THE FRAME SYSTEM ENSURES THAT DRAWERS LOOK JUST AS ATTRACTIVE IN THE KITCHEN, BATHROOM, LIVING ROOM OR BEDROOM. THE INTERIOR ACCESSORY SYSTEM DOES AWAY WITH UNNECESSARY ELEMENTS AND FOCUSES ON ITS ACTUAL PURPOSE: TO ORGANISE THE CONTENTS OF VIONARO DRAWERS.



Simple.
Beautiful.
Tidy.



Dividing and organising systems for Vionaro regular and pot drawers

	Product description		Page
	<p>Tavinea Sorto</p> <ul style="list-style-type: none"> • Modular interior accessory system • Perfect organisation inside drawers for cutlery and small sundry items • High-quality frames and length dividers made of powder-coated steel 		606
	<p>Tavinea Optima</p> <ul style="list-style-type: none"> • Dividing system for pot drawers • Organisation of storage space making everything visible at a glance • Simple, tool-free assembly 		612
	<p>Cross rail</p> <ul style="list-style-type: none"> • Cross rail for all Vionaro regular and pot drawers • Easy assembly by mounting on the drawer side • Can be retrofitted at any time • Tool-free adjustment 		614

1

2

3

4

5

6

7

8

TAVINEA SORTO

Interior accessory system



- Perfect organisation inside drawers for cutlery and small sundry items
- High-quality frames and length dividers made of powder-coated steel
- Colour coordinated
- Innovative anti-slip pads ensure that the frames stay in place

Notes:

- Tavinea Sorto B186 can be used for cabinet width 300 and above
- Tavinea Sorto B276 can be used for cabinet width 400 and above

ORDER INFORMATION

1 Tavinea Sorto B186													
Single item													
NL	Silver grey				Graphite								
	Art. No.				Art. No.								
350	F007130148				F007130149								
400	F007130151				F007130152								
450	F007130154				F007130155								
500	F007130157				F007130158								
550	F007130160				F007130161								
600	F007130163				F007130164								
650	F007130166				F007130167								

2 Tavinea Sorto B276													
Single item													
NL	Silver grey				Graphite								
	Art. No.				Art. No.								
400	F007130130				F007130131								
450	F007130133				F007130134								
500	F007130136				F007130137								
550	F007130139				F007130140								
600	F007130142				F007130143								
650	F007130145				F007130146								

3 Tavinea Sorto length divider													
Single item													
NL	Silver grey				Graphite								
	Art. No.				Art. No.								
350	F007130169				F007130170								
400	F007130172				F007130173								
450	F007130175				F007130176								
500	F007130178				F007130179								
550	F007130181				F007130182								
600	F007130184				F007130185								
650	F007130187				F007130188								

PAGE REFERENCES

Vionaro	464				
Accessories	608				
Planning dimensions	610				

1 Tavinea Sorto B186



NL 350



NL 400-500

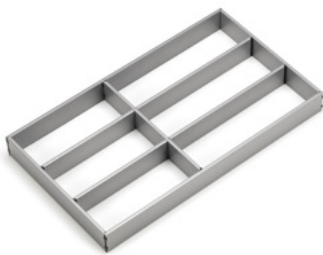


NL 550-650

2 Tavinea Sorto B276



NL 400



NL 450-500

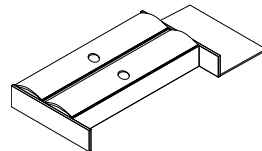
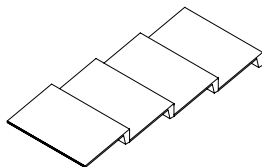
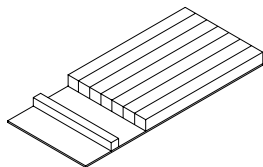


NL 550-650

3 Tavinea Sorto length divider



For Tavinea Sorto accessories, see page 608



LEGEND

- B Width
- KB Cabinet width
- NL Nominal length

1

2

3

4

5

6

7

8

TAVINEA SORTO

Accessories

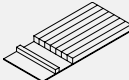
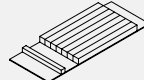


- The perfect accessories for any application
- Knives, spice jars, foil rolls, cutlery or even perfume – with Tavinea Sorto accessories, everything is perfectly sorted
- High-quality materials: aluminium and solid wood

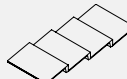
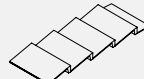
Note:

Accessories are hygiene-tested and food-safe

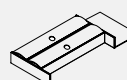
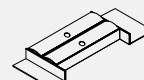
ORDER INFORMATION

1 Knife block Single item				
	NL 450	NL 500	NL 550 ¹	
Material				
Light ash	F007108661	F007102418	F007102418	F007108659
Dark ash	F007108662	F007102424	F007102424	F007108660

¹ NL 550 consists of a knife block and levelling element. Please order both article numbers.

2 Spice rack Single item				
		NL 500	NL 550 ¹	
Material				
Light ash		F007102420	F007102420	F007108659
Dark ash		F007102426	F007102426	F007108660

¹ NL 550 consists of a spice rack and a levelling element. Please order both article numbers.

3 Foil roll holder Single item				
		NL 500	NL 550 ¹	
Material				
Light ash		F007102422	F007102422	F007108659
Dark ash		F007102428	F007102428	F007108660

¹ NL 550 consists of a foil roll holder and levelling element. Please order both article numbers.

PAGE REFERENCES

Vionaro	464
Tavinea Sorto	606
Planning dimensions	610

1 Knife block



2 Spice rack

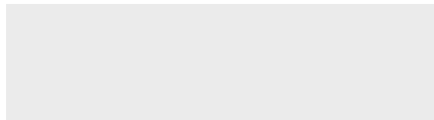
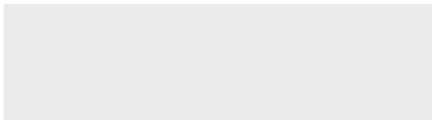
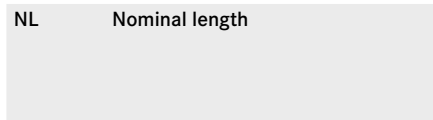


3 Foil roll holder



LEGEND

NL Nominal length

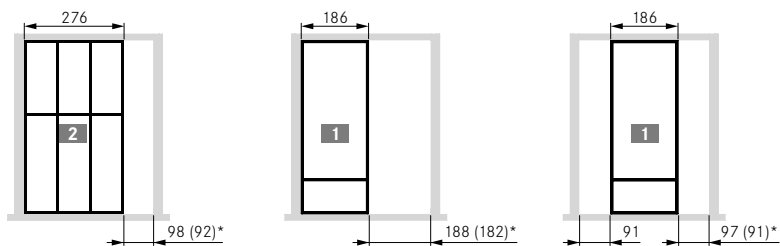
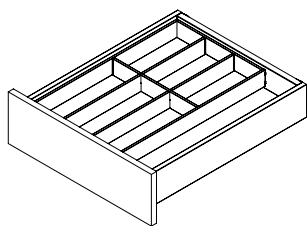


TAVINEA SORTO

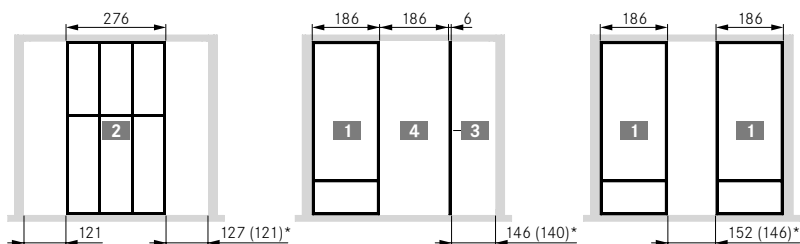
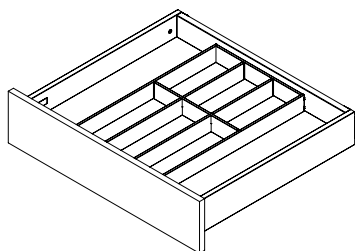
Planning dimensions

APPLICATION EXAMPLES

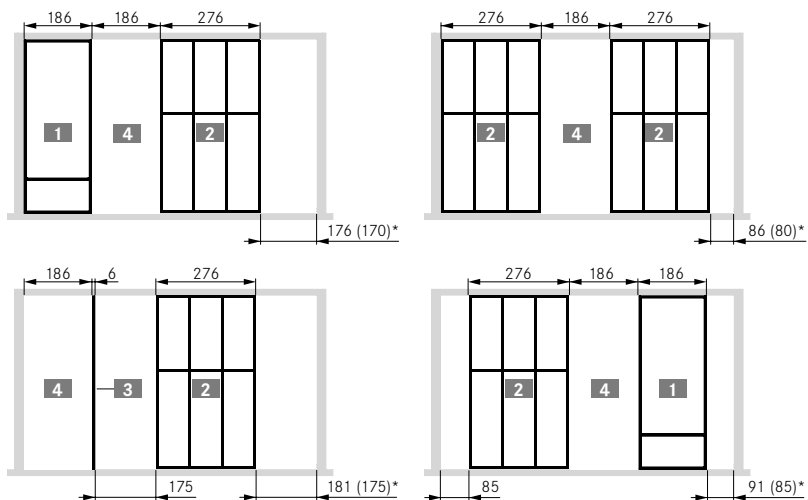
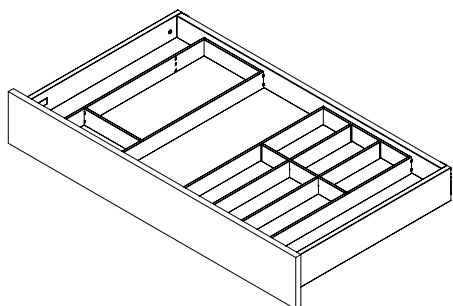
KB 450



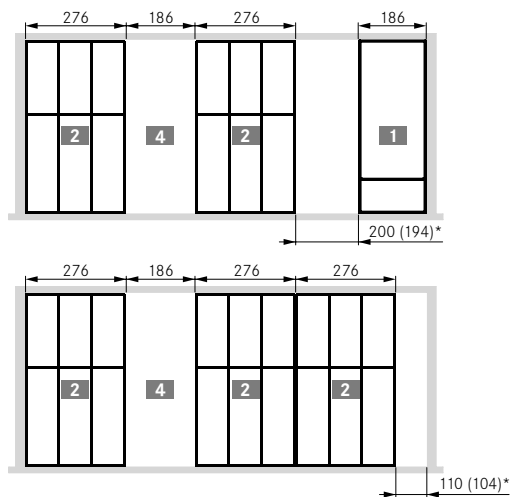
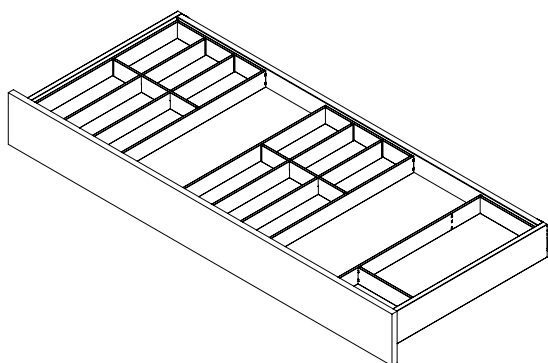
KB 600



KB 900



KB 1200



* S16 (S19)

APPLICATION EXAMPLE

Description

1

2

3

4

NL	X
350	322
400	372
450	422
500	472
550	523
600	573
650	623

PLANNING DIMENSIONS

Description

S	Outside cabinet width (KB)									
	300	400	450	500	600	800	900	1000	1200	
16	224	324	374	424	524	724	824	924	1124	
18	220	320	370	420	520	720	820	920	1120	
19	218	318	368	418	518	718	818	918	1118	
Inside drawer width (LWS)										

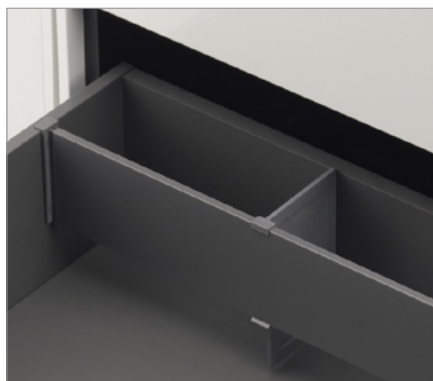
LEGEND

KB	Cabinet width	TAG	Tolerance compensation
LWS	Inside drawer width		
NL	Nominal length		
S	Cabinet side wall		





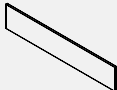
TAVINEA OPTIMA

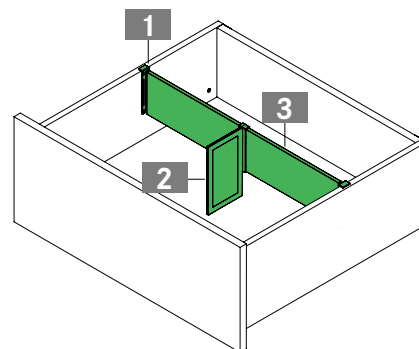
Dividing system



- Dividing system for pot drawers
- Organisation of storage space making everything visible at a glance
- Simple, tool-free assembly
- Tool-free adjustment for variable use of storage space
- Can be retrofitted at any time
- Colour coordinated with drawer sides

ORDER INFORMATION

1 Tavinea Optima profile clip Single item: can be used on left/right											
Silver grey		Graphite			Snow white						
Art. No.		Art. No.			Art. No.						
F007130230		F007130228			F007130229						
2 Tavinea Optima smartboard Single item											
Silver grey		Graphite			Snow white						
Art. No.		Art. No.			Art. No.						
F007130247		F007130245			F007130246						
3 Tavinea Optima divider profile Single item: for cutting to length											
L	Silver grey		Graphite			Snow white					
	Art. No.		Art. No.			Art. No.					
1108	F007130241		F007130242			F007130243					



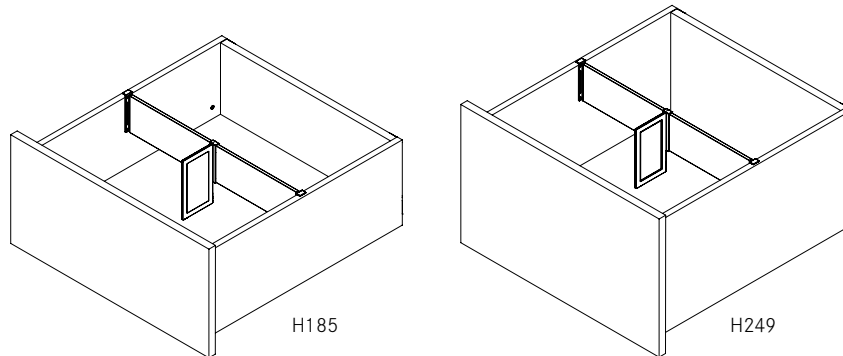
PAGE REFERENCES

Vionaro	464

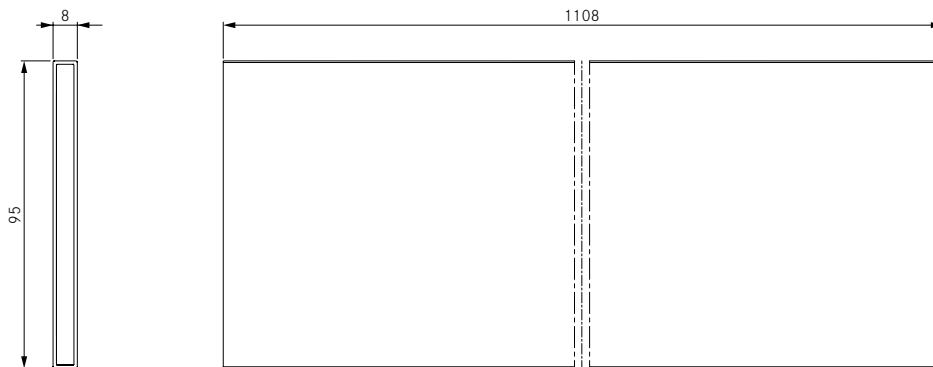
PLANNING DIMENSIONS

All dimensions in millimetres

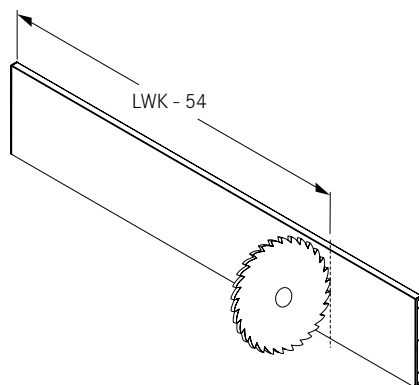
Applications



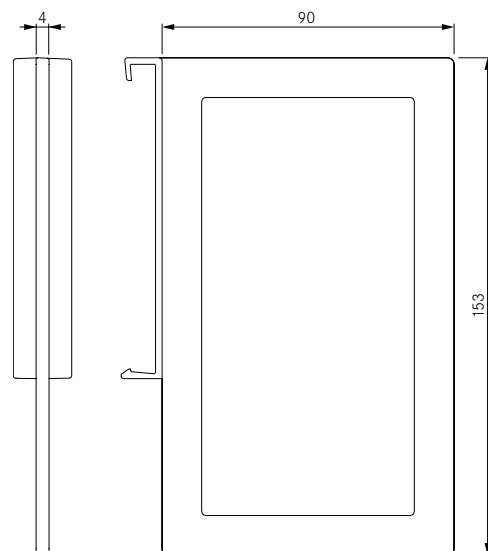
Divider profile



Cutting dimensions of divider profile



Smartboard



LEGEND

L Length
LWK Inside cabinet width

1

2

3

4

5

6

7

8