

KINVARO

T-Slim lift-up flap fitting for wooden fronts (inset)



- Flush inset flap fitting for high design requirements and maximum storage space
- Inset depth: cabinet side: 12.2 mm, front: 13.7 mm
- Low opening forces and multi-position stop
- Convenient adjustment of the spring force
- Fast, tool-free clip fitting of the front
- Flap with 3-dimensional adjustment of height ± 2.5 mm, side ± 2.0 mm, depth $+3.0$ mm/ -1.0 mm
- Opening angle 107°
- Integrated opening angle limiter with optional activation (75°)
- Three different power factors
- Can be used for wooden flaps
- Cover caps and adapters in Stone, Ice and Silver (all cover caps can be painted)

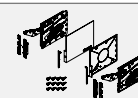
Available in two versions:

- With integrated damping system (Soft-close, damper can be switched on/off)
- With integrated self-opening mechanism (Tipmatic Plus)

ORDER INFORMATION

Kinvaro T-Slim set for wooden flaps

Set: Fitting (1x left/1x right), front connection (1x left/1x right), cover cap (3x left/3x right), screws (12x)



Power factor (LF)	Soft-close			Tipmatic Plus		
	Stone	Ice	Silver	Stone	Ice	Silver
250-550	F151149002	F151149004	F151149003	F151149011	F151149013	F151149012
500-1100	F151149005	F151149007	F151149006	F151149014	F151149016	F151149015
1000-2250	F151149008	F151149010	F151149009	F151149017	F151149019	F151149018

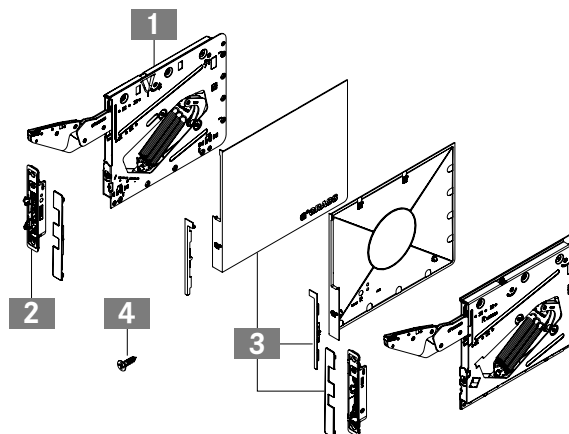
Power factor (LF) = flap height (mm) x (flap weight (kg) + 2 x handle weight (kg))
Cover caps can be painted

Tipmatic Pin see page 194



Kinvaro-T-Slim set consisting of:

- 1 Fitting, left and right (1x)
 - 2 Front connection, left and right (1x)
 - 3 Cover caps, left and right (3x)
 - 4 Screws (12x)
- Installation instructions (1x)



PAGE REFERENCES

Individual components	256
Kinvaro T-Slim adjustment options	276
Assembly aids	656

KINVARO

T-Slim lift-up flap fitting for wide wooden fronts (inset)



- Flush inset flap fitting for high design requirements and maximum storage space
- Additional fitting for wide fronts
- Inset depth: cabinet side: 12.2 mm, front: 13.7 mm
- Low opening forces and multi-position stop
- Convenient adjustment of the spring force
- Fast, tool-free clip fitting of the front
- Flap with 3-dimensional adjustment of height ± 2.5 mm, side ± 2.0 mm, depth $+3.0$ mm/ -1.0 mm
- Opening angle 107°
- Integrated opening angle limiter with optional activation (75°)
- Can be used for wooden flaps
- Cover caps and adapters in Stone, Ice and Silver (all cover caps can be painted)

Available in two versions:

- With integrated damping system (Soft-close, damper can be switched on/off)
- With integrated self-opening mechanism (Tipmatic Plus)

ORDER INFORMATION

Kinvaro T-Slim set for wooden flaps

Set: Fitting (1x left/2x right), front connection (1x left/2x right), cover cap (3x left/6x right), screws (18x)



Power factor (LF)	Soft-close			Tipmatic Plus		
	Stone	Ice	Silver	Stone	Ice	Silver
1500-3375	F151149027	F151149029	F151149028	F151149024	F151149026	F151149025

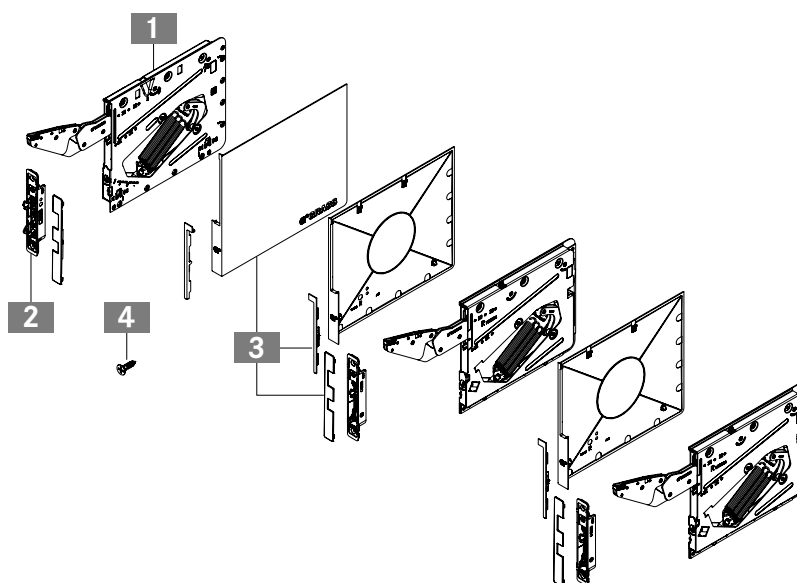
Power factor (LF) = flap height (mm) x (flap weight (kg) + 2 x handle weight (kg))
Cover caps can be painted

Tipmatic Pin see page 194



Kinvaro-T-Slim set consisting of:

- 1 Fitting, left (1x) and right (2x)
 - 2 Front connection, left (1x) and right (2x)
 - 3 Cover caps, left (3x) and right (6x)
 - 4 Screws (18x)
- Installation instructions (1x)



PAGE REFERENCES

Individual components	256
Kinvaro T-Slim adjustment options	276
Assembly aids	656

ASSEMBLY AND INSTALLATION INSTRUCTIONS

All dimensions in millimetres

<p>Required space</p>	<p>Tipmatic Pin</p>
<p>Side wall milling position</p> <p>● Countersunk screw 3.5 x 13 mm</p>	<p>Front milling position</p> <p>● Countersunk screw 3.5 x 13 mm</p>
<p>Calculation of power factor (LF) Flap height (mm) x {flap weight (kg) + 2 x handle weight (kg)}</p>	

CORNICE

REVEAL

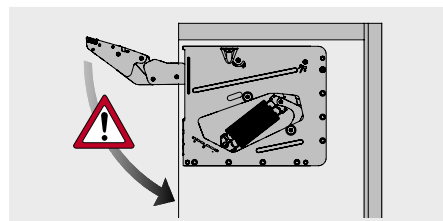
FLAP WEIGHT

Flap thickness (KLS)	Cabinet top panel (KOB)					
	16	18	19	20	22	24
16	67	74	77	80	87	94
18	60	67	70	73	80	87
19	57	64	67	70	77	84
20	54	60	63	67	73	80
21	50	56	60	63	69	76
22	47	53	57	60	66	73
24	40	46	50	53	60	67
26	33	40	43	46	53	60
32	12	19	22	25	32	38
Cornice (KP)						

Flap thickness (KLS)	Front overlay, top (FAO)				
	15	17	19	21	22
16	1	1	1	1	1
18	1	1	1	1	1
19	1	1	1	1	1
20	1	1	1	1	1
21	1	1	1	1	1
22	1	1	1	1	1
24	1.5	1	1	1	1
26	3	2.5	1.5	1	1
32	8	7	6	5.5	5
Reveal (F)					

Flap height (KLH)	Power factor (LF)	
	1500-3375	
200	7.5-16.9	
250	6.0-13.5	
300	5.0-11.3	
350	4.3-9.6	
400	3.8-8.4	
450	3.3-7.5	
500	3.0-6.8	
550	2.7-6.1	
Flap weight in kg		

WARNING



Important!
Caution – risk of injury!
Fitting is spring-tensioned!

LEGEND

- F Reveal
- FAO Front overlay, top
- FAS Front overlay, side
- FH Front height
- KB Cabinet width
- KLS Flap thickness
- KOB Cabinet top panel
- KP Cornice
- LF Power factor



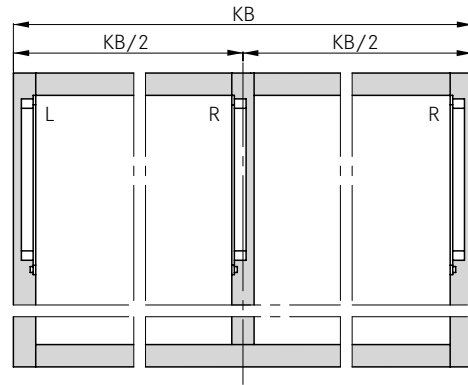
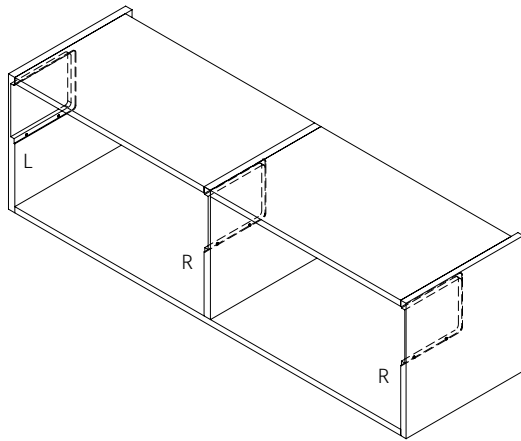
KINVARO

T-Slim lift-up flap fitting for wide wooden fronts (inset)

ASSEMBLY AND INSTALLATION INSTRUCTIONS

All dimensions in millimetres

Position for third fitting



PAGE REFERENCES

Individual components	256
Kinvaro T-Slim adjustment options	276
Assembly aids	656

1

2

3

4

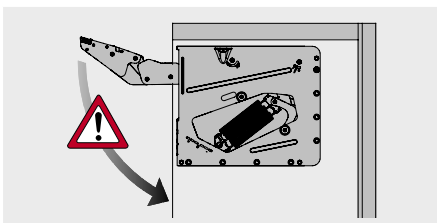
5

6

7

8

WARNING



Important!
Caution – risk of injury!
Fitting is spring-tensioned!

LEGEND

KB Cabinet width
L/R Left/right

KINVARO

T-Slim lift-up flap fitting for wooden fronts (screw-mounted)



- Slim flap fitting for high design requirements and more storage space in the wall cabinet
- Low opening forces and multi-position stop
- Convenient adjustment of the spring force
- Fast, tool-free clip fitting of the front
- Flap with 3-dimensional adjustment of height ± 2.5 mm, side ± 2.0 mm, depth $+3.0$ mm/ -1.0 mm
- No hinges fitted to the top panel
- Opening angle 107°
Integrated opening angle limiter with optional activation (75°)
- Three different power factors
- Can be used for wooden flaps
- Cover caps and adapters in Stone, Ice and Silver (all cover caps can be painted)

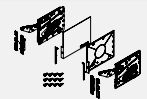
Available in two versions:

- With integrated damping system (Soft close, damper can be switched on/off)
- With integrated self-opening mechanism (Tipmatic Plus)

ORDER INFORMATION

Kinvaro T-Slim set for wooden flaps

Set: Fitting (1x left/1x right), front connection (1x left/1x right), cover cap (3x left/3x right), screws (12x)



Power factor (LF)	Soft-close			Tipmatic Plus		
	Stone	Ice	Silver	Stone	Ice	Silver
250-550	F151149002	F151149004	F151149003	F151149011	F151149013	F151149012
500-1100	F151149005	F151149007	F151149006	F151149014	F151149016	F151149015
1000-2250	F151149008	F151149010	F151149009	F151149017	F151149019	F151149018

Power factor (LF) = flap height (mm) x (flap weight (kg) + 2 x handle weight (kg))

Cover caps can be painted

Adapter set for screw-mounted version (1x left/1x right) incl. screws



Designation	Stone	Ice	Silver
Adapter set for screw-mounted version (1x left/1x right) for easy installation	F161149020	F161149022	F161149021

Adapter can be painted

Tipmatic Pin see page 194

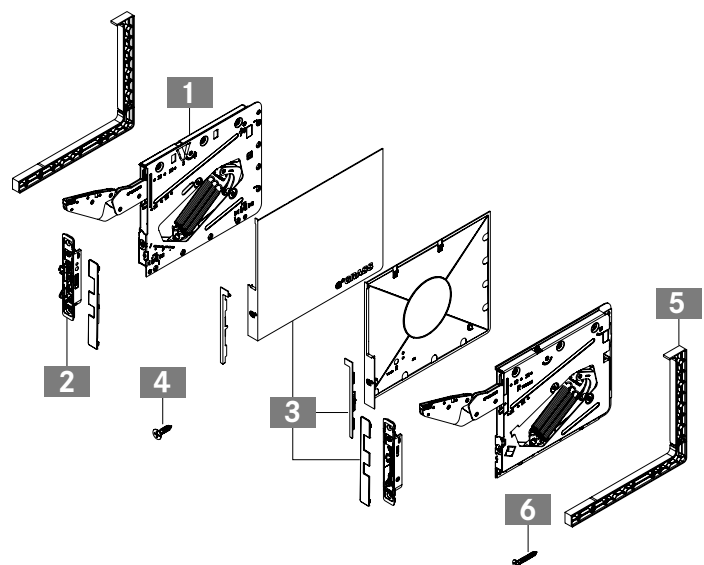


Kinvaro-T-Slim set consisting of:

- 1 Fitting, left and right (1x)
 - 2 Front connection, left and right (1x)
 - 3 Cover caps, left and right (3x)
 - 4 Screws (12x)
- Installation instructions (1x)

Adapter set consisting of:

- 5 Adapter, left and right (1x)
- 6 Screws (8x)



PAGE REFERENCES

Individual components	256		
Kinvaro T-Slim adjustment options	276		
Assembly aids	656		

ASSEMBLY AND INSTALLATION INSTRUCTIONS

All dimensions in millimetres

<p>Required space</p>	<p>Tipmatic Pin</p>
<p>Side wall screw-on position</p>	<p>Front milling position</p>
<p>Calculation of power factor (LF) Flap height (mm) x {flap weight (kg) + 2 x handle weight (kg)}</p>	

CORNICE

REVEAL

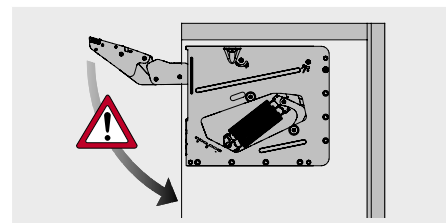
FLAP WEIGHT

Flap thickness (KLS)	Cabinet top panel (KOB)					
	16	18	19	20	22	24
16	67	74	77	80	87	94
18	60	67	70	73	80	87
19	57	64	67	70	77	84
20	54	60	63	67	73	80
21	50	56	60	63	69	76
22	47	53	57	60	66	73
24	40	46	50	53	60	67
26	33	40	43	46	53	60
32	12	19	22	25	32	38
	Cornice (KP)					

Flap thickness (KLS)	Front overlay, top (FAO)				
	15	17	19	21	22
16	1	1	1	1	1
18	1	1	1	1	1
19	1	1	1	1	1
20	1	1	1	1	1
21	1	1	1	1	1
22	1	1	1	1	1
24	1.5	1	1	1	1
26	3	2.5	1.5	1	1
32	8	7	6	5.5	5
	Reveal (F)				

Flap height (KLH)	Power factor (LF)		
	250-550	500-1100	1000-2250
200	1.3-2.8	2.5-5.5	5.0-11.3
250	1.0-2.2	2.0-4.4	4.0-9.0
300	0.8-1.8	1.7-3.7	3.3-7.5
350	0.7-1.6	1.4-3.1	2.9-6.4
400	0.6-1.4	1.3-2.8	2.5-5.6
450	0.6-1.2	1.1-2.4	2.2-5.0
500	0.5-1.1	1.0-2.2	2.0-4.5
550	0.5-1.0	0.9-2.0	1.8-4.1
	Flap weight in kg		

WARNING



Important!
Caution – risk of injury!
Fitting is spring-tensioned!

LEGEND

- F Reveal
- FAO Front overlay, top
- FAS Front overlay, side
- FH Front height
- KB Cabinet width
- KLS Flap thickness
- KOB Cabinet top panel
- KP Cornice
- LF Power factor

KINVARO

T-Slim lift-up flap fitting for wide wooden fronts (screw-mounted)



- Slim flap fitting for high design requirements and more storage space in the wall cabinet
- Additional fitting for wide fronts
- Low opening forces and multi-position stop
- Convenient adjustment of the spring force
- Fast, tool-free clip fitting of the front
- Flap with 3-dimensional adjustment of height ± 2.5 mm, side ± 2.0 mm, depth $+3.0$ mm/ -1.0 mm
- No hinges fitted to the top panel
- Opening angle 107°
- Integrated opening angle limiter with optional activation (75°)

- Can be used for wooden flaps
- Cover caps and adapters in Stone, Ice and Silver (all cover caps can be painted)

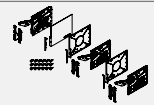
Available in two versions:

- With integrated damping system (Soft-close, damper can be switched on/off)
- With integrated self-opening mechanism (Tipmatic Plus)

ORDER INFORMATION

Kinvaro T-Slim set for wooden flaps

Set: Fitting (1x left/2x right), front connection (1x left/2x right), cover cap (3x left/6x right), screws (18x)



Power factor (LF)	Soft-close			Tipmatic Plus		
	Stone	Ice	Silver	Stone	Ice	Silver
1500-3375	F151149027	F151149029	F151149028	F151149024	F151149026	F151149025

Power factor (LF) = flap height (mm) x (flap weight (kg) + 2 x handle weight (kg))
Cover caps can be painted

Adapter set for screw-mounted version (1x left/1x right) incl. screws



Designation	Stone	Ice	Silver
Adapter set for screw-mounted version (1x left/1x right) for easy installation	F161149020	F161149022	F161149021

Adapter can be painted

Tipmatic Pin see page 194

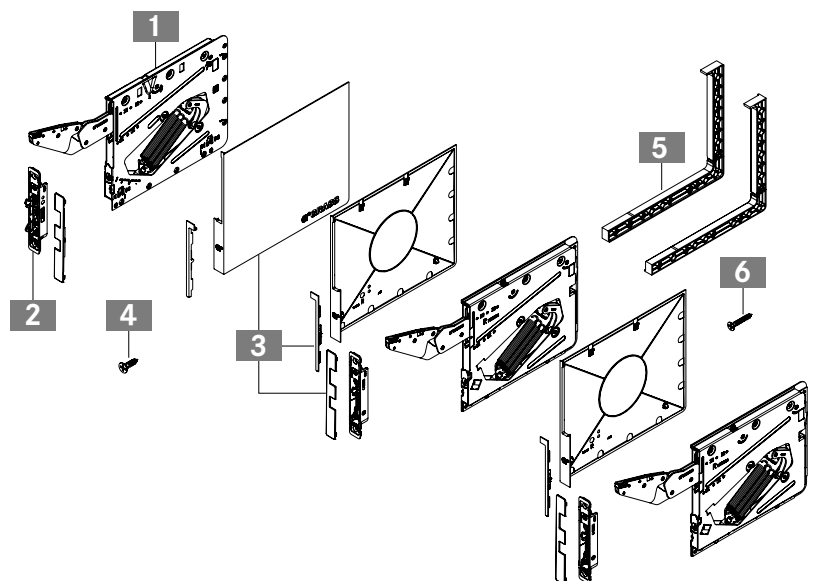


Kinvaro-T-Slim set consisting of:

- 1 Fitting, left (1x) and right (2x)
 - 2 Front connection, left (1x) and right (2x)
 - 3 Cover caps, left (3x) and right (6x)
 - 4 Screws (18x)
- Installation instructions (1x)

Adapter set consisting of:

- 5 Adapter, left and right (1x)
- 6 Screws (8x)



PAGE REFERENCES

Individual components	256		
Kinvaro T-Slim adjustment options	276		
Assembly aids	656		

ASSEMBLY AND INSTALLATION INSTRUCTIONS

All dimensions in millimetres

<p>Required space</p>	<p>Tipmatic Pin</p>
<p>Side wall screw-on position</p>	<p>Front milling position</p>
<p>Calculation of power factor (LF) Flap height (mm) x {flap weight (kg) + 2 x handle weight (kg)}</p>	

CORNICE

REVEAL

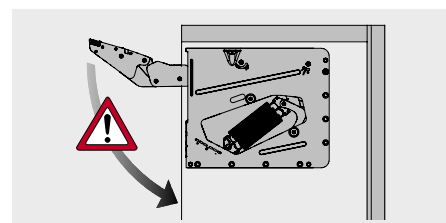
FLAP WEIGHT

Flap thickness (KLS)	Cabinet top panel (KOB)					
	16	18	19	20	22	24
16	67	74	77	80	87	94
18	60	67	70	73	80	87
19	57	64	67	70	77	84
20	54	60	63	67	73	80
21	50	56	60	63	69	76
22	47	53	57	60	66	73
24	40	46	50	53	60	67
26	33	40	43	46	53	60
32	12	19	22	25	32	38
Cornice (KP)						

Flap thickness (KLS)	Front overlay, top (FAO)				
	15	17	19	21	22
16	1	1	1	1	1
18	1	1	1	1	1
19	1	1	1	1	1
20	1	1	1	1	1
21	1	1	1	1	1
22	1	1	1	1	1
24	1.5	1	1	1	1
26	3	2.5	1.5	1	1
32	8	7	6	5.5	5
Reveal (F)					

Flap height (KLH)	Power factor (LF)		
	1500-3375		
200	7.5-16.9		
250	6.0-13.5		
300	5.0-11.3		
350	4.3-9.6		
400	3.8-8.4		
450	3.3-7.5		
500	3.0-6.8		
550	2.7-6.1		
Flap weight in kg			

WARNING



Important!
Caution – risk of injury!
Fitting is spring-tensioned!

LEGEND

- F Reveal
- FAO Front overlay, top
- FAS Front overlay, side
- FH Front height
- KB Cabinet width
- KLS Flap thickness
- KOB Cabinet top panel
- KP Cornice
- LF Power factor



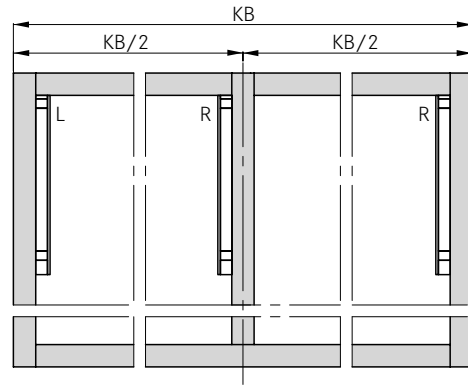
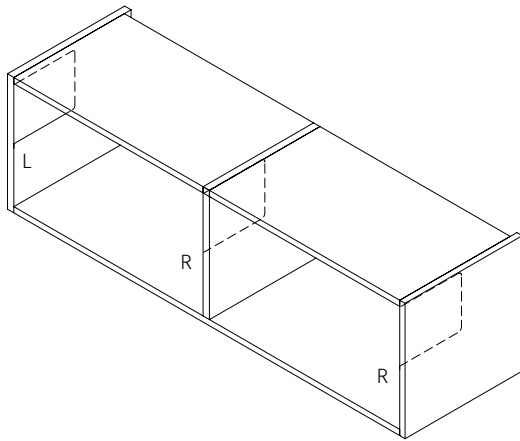
KINVARO

T-Slim lift-up flap fitting for wide wooden fronts (screw-mounted)

ASSEMBLY AND INSTALLATION INSTRUCTIONS

All dimensions in millimetres

Position for third fitting



PAGE REFERENCES

Individual components	256
Kinvaro T-Slim adjustment options	276
Assembly aids	656

1

2

3

4

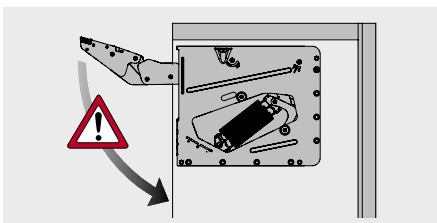
5

6

7

8

WARNING



Important!
Caution – risk of injury!
Fitting is spring-tensioned!

LEGEND

KB Cabinet width
L/R Left/right

KINVARO

T-Slim lift-up flap fitting for aluminium-framed fronts (inset)



- Flush inset flap fitting for high design requirements and maximum storage space
- Front connection for combination with aluminium frame (please order separately)
- Inset depth: cabinet side: 12.2 mm
- Low opening forces and multi-position stop
- Convenient adjustment of the spring force
- Fast, tool-free clip fitting of the front
- Flap with 3-dimensional adjustment of height ± 2.5 mm, side ± 2.0 mm, depth $+3.0$ mm/ -1.0 mm
- Opening angle 107°
- Integrated opening angle limiter with optional activation (75°)
- Three different power factors
- Cover caps and adapters in Stone, Ice and Silver (all cover caps can be painted)

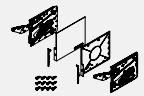
Available in two versions:

- With integrated damping system (Soft-close, damper can be switched on/off)
- With integrated self-opening mechanism (Tipmatic Plus)

ORDER INFORMATION

Kinvaro T-Slim set without front connection

Set: Fitting (1x left/1x right), cover cap (2x left/2x right), screws (12x)



Power factor (LF)	Soft-close			Tipmatic Plus		
	Stone	Ice	Silver	Stone	Ice	Silver
250-550	F151149038	F151149040	F151149039	F151149047	F151149049	F151149048
500-1100	F151149041	F151149043	F151149042	F151149050	F151149052	F151149051
1000-2250	F151149044	F151149046	F151149045	F151149053	F151149055	F151149054

Power factor (LF) = flap height (mm) x (flap weight (kg) + 2 x handle weight (kg))

Cover caps can be painted

Kinvaro T-Slim accessory set for aluminium frames

Set: Front connection (1x left/1x right), corner connectors (1x left/1x right), screws (10x)



Art. No.				
F161149100				

Kinvaro T-Slim cover cap for front connection (1x left/1x right)



Black	Stainless steel/Inox		
F161149081	F161149106		

Cover caps can be painted

Tipmatic Pin see page 194

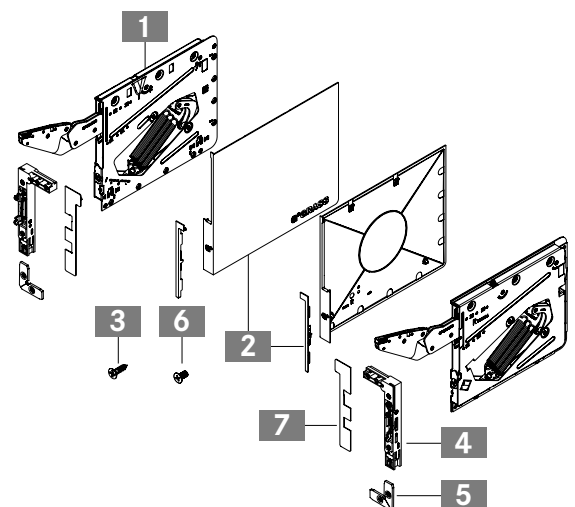


Kinvaro-T-Slim set consisting of:

- 1 Fitting, left and right (1x)
 - 2 Cover caps, left and right (2x)
 - 3 Screws (12x)
- Installation instructions (1x)

Accessories and cover cap for aluminium frames consisting of:

- 4 Front connection, left and right (1x)
- 5 Corner connector, left and right (1x)
- 6 Screws (10x)
- 7 Cover cap for front connection left and right (1x)



PAGE REFERENCES

Aluminium frame	255	Kinvaro T-Slim adjustment options	276		
Individual components	256	Assembly aids	656		