

# KINVARO

## T-76 lift-up flap fitting



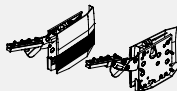
- Variable opening angle – holds flap securely at any angle between 45° and 110°
- Extremely comfortable opening thanks to spring-supported opening mechanism
- Adjustable spring force
- Integrated adjustable closing damper
- Flap with 3-dimensional adjustment – height, side, angle: direct adjustment ±1.5 mm
- No hinges fitted to the top panel
- Allows additional cabinet installation above
- Fast, tool-free clip fitting of the front
- Weight 5.2 to 11.0 kg
- Range of flaps:  
Width: up to 1200 mm  
Height: 400–600 mm
- Cover caps in grey, similar to RAL 7045



### APPLICATION RANGE

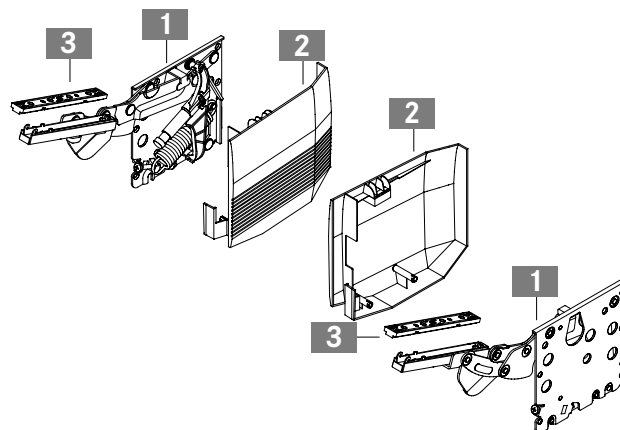
Cabinet height	Flap weight incl. handle (kg)
	Spring, standard
400	7.0–11.0
450	6.7–9.6
500	5.8–8.5
550	5.6–7.6
600	5.2–7.0

### ORDER INFORMATION

Kinvaro T-76 set						
Designation	Springs	Version for	Overlay	Art. No.		
					Cover cap, grey	
Kinvaro T-76 On right without damper and on left with damper, standard pre-assembled springs, incl. cover caps	Standard	Wood	Variable		<b>F151147706</b>	

**Kinvaro T-76 set** consisting of:

- 1** Fitting on right without damper and on left with damper (1x)
- 2** Cover caps, right and left (1x)
- 3** Mounting plates (2x)  
Paper template (1x)  
Installation instructions (1x)



### PAGE REFERENCES

Kinvaro T-76 adjustment options	280
Assembly aids	656

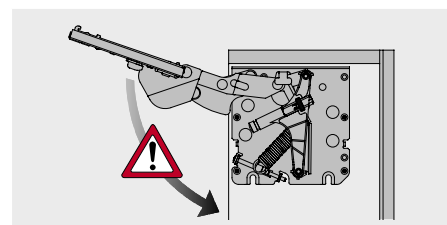


ASSEMBLY AND INSTALLATION INSTRUCTIONS

All dimensions in millimetres

<p>Required space</p>	<p>Side wall drilling positions</p> <p>Euro screw <math>\varnothing</math> 6.3 x 13 mm</p>
<p>Front installation for wooden and frame flaps (min. 55 mm width)</p> <p><math>\varnothing</math> 4<sup>1</sup> x 13 <math>\varnothing</math> 6.3<sup>2</sup> x 13</p> <p>25 + FAS FAS</p> <p><sup>1</sup> Pre-drilling required <math>\varnothing</math> 2 mm <sup>2</sup> Pre-drilling required <math>\varnothing</math> 5 mm</p>	<p>1</p> <p>2</p> <p>3</p> <p>4</p> <p>5</p>
<p>Calculation of flap weight</p> <p>Flap width x flap height x flap thickness x density <sup>1</sup> + weight of handle <sup>2</sup> = weight of flap</p> <p><sup>1</sup> Densities: MDF board 0.85 kg/dm<sup>3</sup>, chipboard 0.65 kg/dm<sup>3</sup>, spruce/pine 0.45 kg/dm<sup>3</sup></p> <p><sup>2</sup> For bar handles, allow 0.1 kg per 100 mm of handle length. We recommend a trial fitting</p>	

WARNING



**Important!**  
**Caution – risk of injury!**  
**Fitting is spring-tensioned!**

LEGEND

F Reveal  
FAS Front overlay, side

