

# KINVARO

## S-35 up-and-over flap fitting



- Securely holds flap in any position from 45° opening angle
- Extremely smooth movement
- Adjustable spring force
- Integrated adjustable closing damper
- Flap with 3-dimensional adjustment – height, side, angle: direct adjustment ±1.5 mm
- Allows the use of cornices, pelmets and pelmet lights
- Wide range of applications for many different flap materials
- Fast, tool-free clip fitting of the front
- Pre-assembled Euro screws and positioning pins for easy mounting of the fitting on the side wall
- High stability
- Weight 1.5 to 17.5 kg
- Range of flaps:  
Width: 450–1200 mm  
Height: 420–750 mm
- Cover caps in grey, similar to RAL 7045



### APPLICATION RANGE

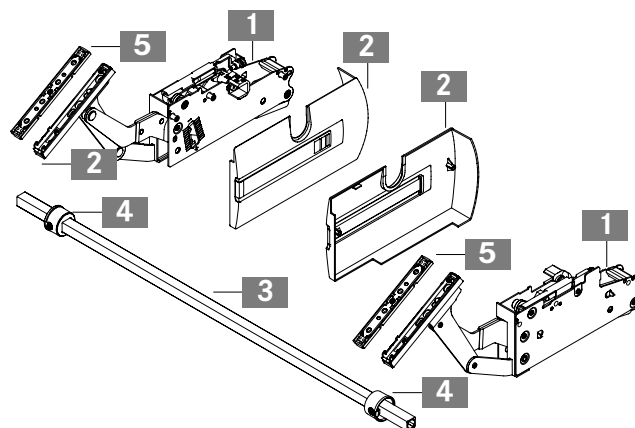
Cabinet height	Flap weight incl. handle (kg)				
	Spring A	Spring B	Spring C	Spring D	Spring E
420–449	1.5–7.5	5.0–11.0	-	-	-
450–479	1.8–7.5	5.0–12.0	-	-	-
480–509	1.8–6.5	5.0–12.5	-	-	-
510–539	2.0–6.0	5.0–13.0	-	-	-
540–569	2.0–6.0	5.0–12.5	6.0–14.0	-	-
570–599	2.0–6.0	5.0–11.0	5.5–12.0	11.5–14.5	-
600–629	2.0–5.5	4.5–10.0	5.5–11.5	10.5–15.5	-
630–659	2.0–5.5	-	4.5–11.0	8.5–16.0	-
660–689	2.0–5.0	-	4.0–10.0	7.5–15.0	12.0–16.5
690–719	2.0–5.0	-	4.0–8.5	6.5–13.5	12.0–17.5
720–750	-	-	4.0–8.0	6.5–12.5	10.0–17.0

### ORDER INFORMATION

Kinvaro S-35 set					
Cabinet height	Spring A	Spring B	Spring C	Spring D	Spring E
Cover caps, grey					
420–750	F152000255	F152000256	F152000257	F152000258	F152000259

#### Kinvaro S-35 set comprises:

- 1 Fitting, right and left (1x)
  - 2 Cover caps, right and left (1x)
  - 3 1090 mm cross bar for cutting to length (1x)
  - 4 Sliding sleeves (2x)
  - 5 Mounting plates (2x)
- Paper template (1x)  
Installation instructions (1x)



### PAGE REFERENCES

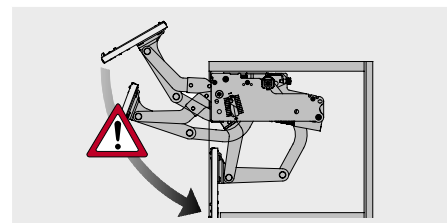
Kinvaro S-35 adjustment options	287
Assembly aids	656

ASSEMBLY AND INSTALLATION INSTRUCTIONS

All dimensions in millimetres

Required space	Side wall drilling positions
Front installation for wooden and frame flaps (min. 45 mm width)	
	<p><sup>1</sup> Pre-drilling required Ø 2 mm <sup>2</sup> Pre-drilling required Ø 5 mm</p>
Calculation of flap weight	
<p>Flap width x flap height x flap thickness x density <sup>1</sup> + weight of handle <sup>2</sup> = weight of flap</p>	
<p><sup>1</sup> Densities: MDF board 0.85 kg/dm<sup>3</sup>, chipboard 0.65 kg/dm<sup>3</sup>, spruce/pine 0.45 kg/dm<sup>3</sup></p>	
<p><sup>2</sup> For bar handles, allow 0.1 kg per 100 mm of handle length. We recommend a trial fitting</p>	

WARNING



**Important!**  
**Caution – risk of injury!**  
**Fitting is spring-tensioned!**

LEGEND

FAO Front overlay, top  
FAS Front overlay, side  
LWK Inside cabinet width

